



**Hammond Power Solutions Inc.**


TITLE: 3PH DISTRIBUTION TRANSFORMER  
NAMEPLATE INFORMATION

NO.	DATE	BY	REVISION	SCALE:
2	21/07/16	PP	EDB UPDATE	DES: MABDELAT
1	20/03/17	PP	SEISMIC UPDATE	DATE: 17/04/05
				SCALE: NTS

SHEET 1 OF 3


EDB SG3A0030KB0ABC3

2.0 Jwen 2021/07/16 12:58



**Hammond Power Solutions**  
Guelph, ONT Compton, CA

**HPS Sentinel™ G**  
Energy Efficient Distribution Transformer  
Transformateur de Distribution à Bon Rendement Énergétique



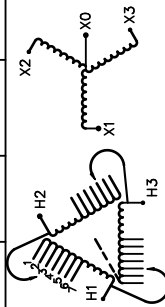
LR 3902  
DRY TYPE DISTRIBUTION TRANSFORMER  
E112313  
LISTED

Part No. **SG3A0030KB0ABC3**

Baraboo, WI  
Monterrey, MX

Cust. Ref.	Serial No.
Ref. du Client	No. de Serie
Phase	HV/HT
Type	BIL
Cooling Refroidissement	Term Bornes
kVA	LV/BT
Temp. Rise Echauffement	BIL
Temp Class Classe Temp	Term Bornes
Winding Enroulement	Energy Regulations
Frequency Fréquence Hz	Reglements de Réglementation Énergétique
Impedance % @ 100 °C	
Encl. Type Type de Coffrage	
Weight lbs/kg Poids	

VOLTS	CURRENT COURANT	% RATED VOLTAGE % TENSION NOMINALE	CONNECTION EACH PHASE CONNECTION PAR PHASE
504	34.4	105	1
492	35.2	102.5	2
480	36.1	100	3
468	37.0	97.5	4
456	38.0	95	5
444	39.0	92.5	6
432	40.1	90	7

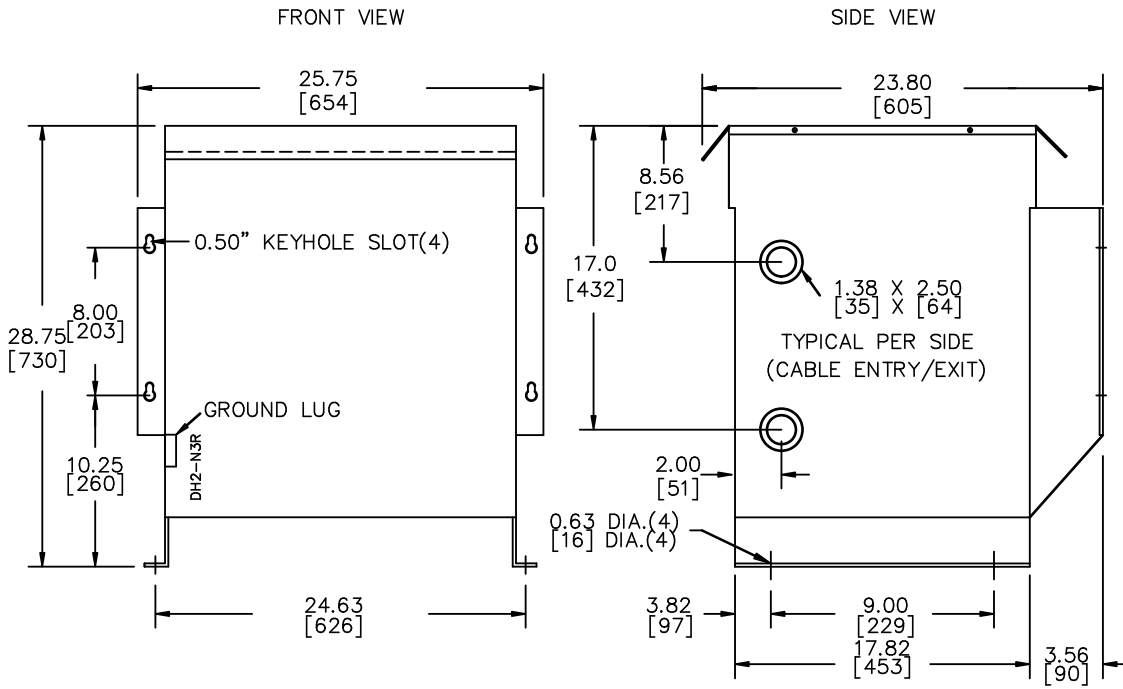


SEISMIC QUALIFICATIONS:  
AS FLOOR MOUNT ONLY  
IBC 2018/ASCE 7-16  
SDS<=2.0g Z/h=0 Ip=1.5

SPACINGS BETWEEN ANY VENTILATED ENCLOSURE PANEL AND ANY ADJACENT WALL SHALL BE A MINIMUM OF 3 INCHES

SOUND LEVEL IS 36B LOWER THAN NEMA ST20 REQUIREMENTS

d000186hb



All Dimensions in inches[mm]

ENCLOSURE COLOR : ANSI 61 GREY – OUTDOOR

H.V.1. TERMINAL DETAIL

L.V.1. TERMINAL DETAIL

MECHANICAL TYPE LUGS INCLUDED  
SUITABLE FOR #14-2 CU/AL  
CONDUCTORS  
1 CONDUCTOR PER PHASE

MECHANICAL TYPE LUGS INCLUDED  
SUITABLE FOR #2/0-14 CU/AL  
CONDUCTORS  
1 CONDUCTOR PER PHASE

CUSTOMER NOTES:

- HV1 TERMINATED AT TOP FRONT
- LV1 TERMINATED AT BOTTOM FRONT



TITLE: 3PH DISTRIBUTION TRANSFORMER

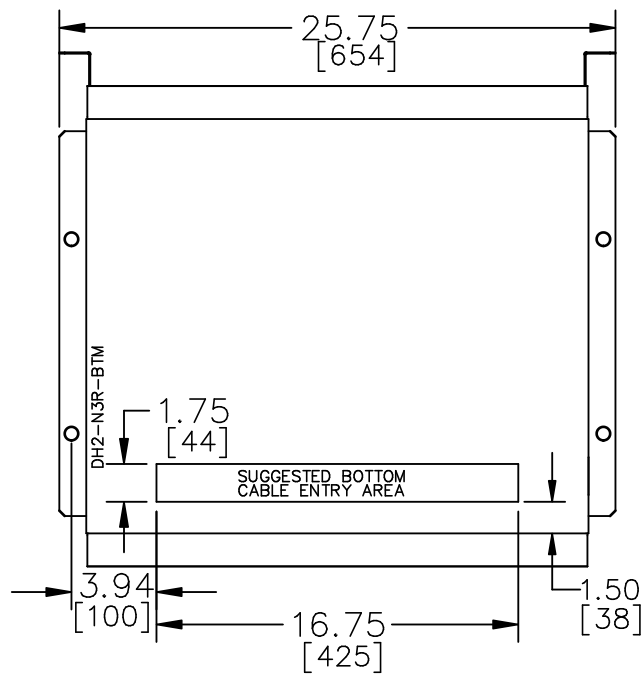
2	21/07/16	PP	EDB UPDATE	DES: MABELLAT
1	20/03/17	PP	SEISMIC UPDATE	DATE: 17/04/05
NO.	DATE	BY	REVISION	SCALE: NTS

SHEET 2 OF 3

EDBSC3A0030KRBABC3

2.0 Jwen 2021/07/16 12:58

ENCLOSURE BOTTOM VIEW



NOTE:  
 WHEN BOTTOM CABLE ENTRY IS OPTED, THE SPACE USED FOR CONDUITS IN THE FRONT OF THE TRANSFORMER SHOULD NOT OBSTRUCT MORE THAN 50% OF THE FRONT AIR INTAKE AREA DEFINED BETWEEN THE BOTTOM PLATE AND THE SUPPORTING LEGS.  
 SEE MANUAL FOR ADDITIONAL INFORMATION



TITLE: 3PH DISTRIBUTION TRANSFORMER  
 ENCLOSURE BOTTOM VIEW

2	21/07/16	PP	EDB UPDATE	DES: MABDELAT
1	20/03/17	PP	SEISMIC UPDATE	DATE: 17/04/05
NO.	DATE	BY	REVISION	SCALE: NTS

SHEET 3 OF 3

EDBSC3A0030KRBABC3

2.0 Jwen 2021/07/16 12:58