



Hammond  
Power Solutions

GUELPH, ONT. BARABOO, WI COMPTON, CA MONTERREY, MX



LR 3902



DRY TYPE  
TRANSFORMER  
252L  
E50394

LISTED

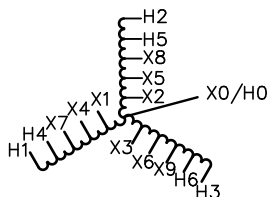
THREE PHASE DRY TYPE AUTOTRANSFORMER  
AUTOTRANSFORMATEUR SEC TRIPHASÉ

HV/HT	600Y/346V 480Y/277V				Cust. Ref. Réf. du client	
BIL	-				Serial No. No. de série	
TERM. BORNES	H0 H1 H2 H3 H4 H5 H6	Part No. No. de pièce				Y009QTCF3LOU
	VOLTS	CURRENT COURANT	% RATED VOLTAGE % TENSION NOMINALE	CONNECTION EACH PHASE CONNEXION PAR PHASE	kVA	9
	600Y/346V 480Y/277V	8.7 10.8		H0 H1-H2-H3 H0 H4-H5-H6	TYPE	QT
	400Y/231V 240Y/139V 208Y/120V	13.0 21.7 25.0		X0 X7-X8-X9 X0 X4-X5-X6 X0 X1-X2-X3	Cooling Refroidissement	ANC
LV/BT	208Y/120V 240Y/139V 400Y/231V				Temp. Rise Echauffement	115 °C
BIL	-				Temp. Class Classe de Temp.	180 °C
TERM. BORNES	X0 X1 X2 X3 X4 X5 X6 X7 X8 X9	Impédance % @ 135 °C				2.2
		Encl. Type Type de boîtier				3R
		Wt LBS Poids en lbs.				138
		Winding Enroulement				COPPER

VOLTAGES SHOWN ARE FOR 3 PHASE,  
4 WIRE SYSTEMS. NEUTRAL AND GROUND  
CONNECTIONS SHOULD BE MADE IN  
ACCORDANCE WITH LOCAL ELECTRICAL  
CODE AND STANDARDS REQUIREMENTS

D003303b1

HAM3656



8 03423 13775 5



Hammond Power  
Solutions Inc.

TITLE: 3 PH ENCAPSULATED AUTO TRANSFORMER  
NAMEPLATE INFORMATION

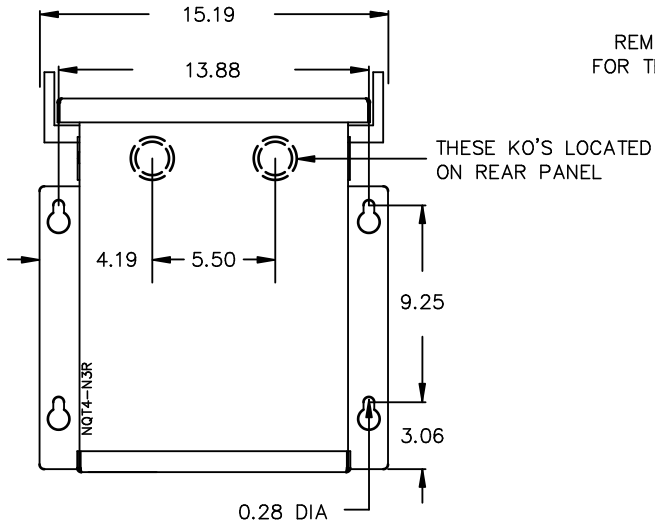
DES:	WWONG		
DATE:	16/08/10		
SCALE:	NTS		
NO.	DATE	BY	REVISION

SHEET 1 OF 2

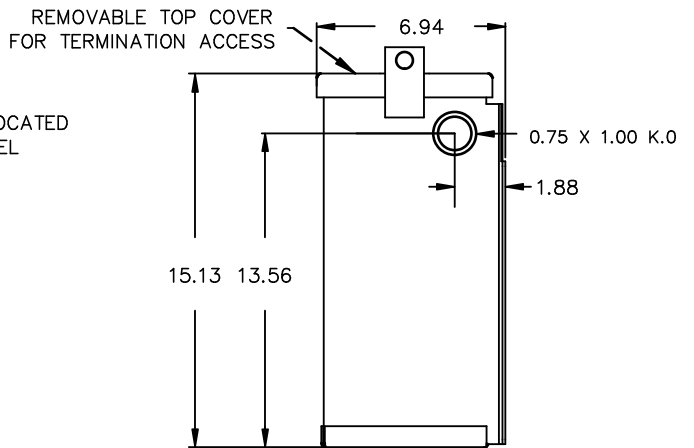
E0B Y009QTCF3LOU

O.O. wong 2017/07/07 18:13

FRONT VIEW



SIDE VIEW



All Dimensions in inches

ENCLOSURE COLOR :ANSI 61 GREY – OUTDOOR

CUSTOMER NOTES:



TITLE: 3 PH ENCAPSULATED AUTO TRANSFORMER

				DES: WWONG
				DATE: 16/08/10
NO.	DATE	BY	REVISION	SCALE: NTS

SHEET 2 OF 2

EDB Y009Q1CF 310U

0.0 w Wong 2017/07/07 18:13