

PRODUCT INFORMATION PACKET

Model No: 056T17F15674
Catalog No: G548A
1.5,1800,TEFC,56C,3/60/575
Totally Enclosed Fan Cooled (TEFC)



Regal and Marathon are trademarks of Regal Beloit Corporation or one of its affiliated companies.
©2018 Regal Beloit Corporation, All Rights Reserved. MC017097E



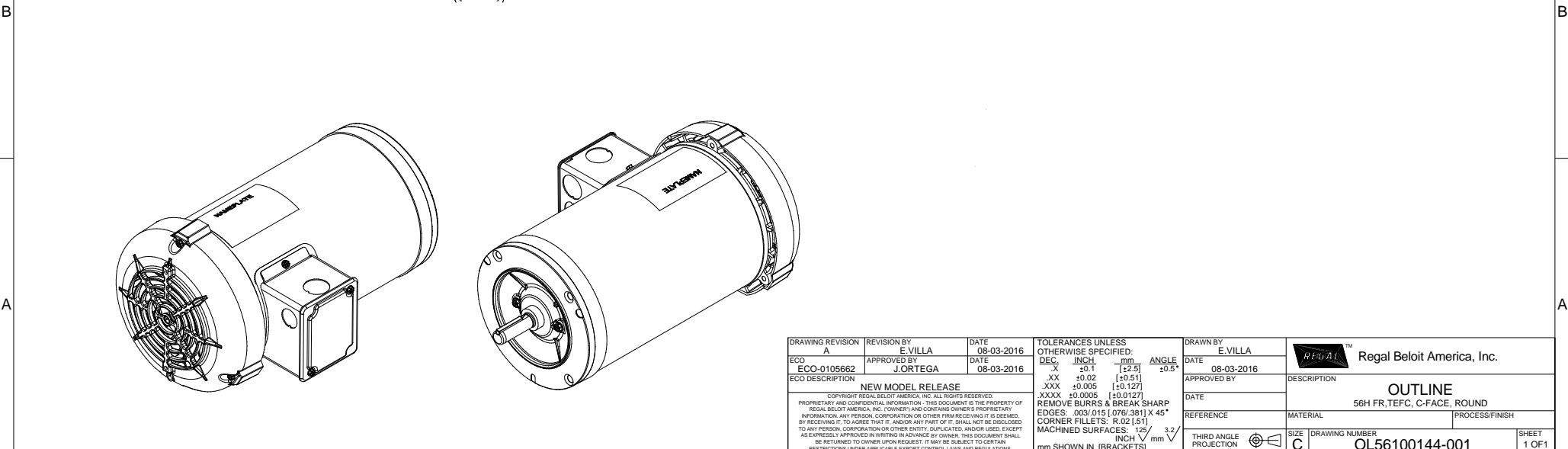
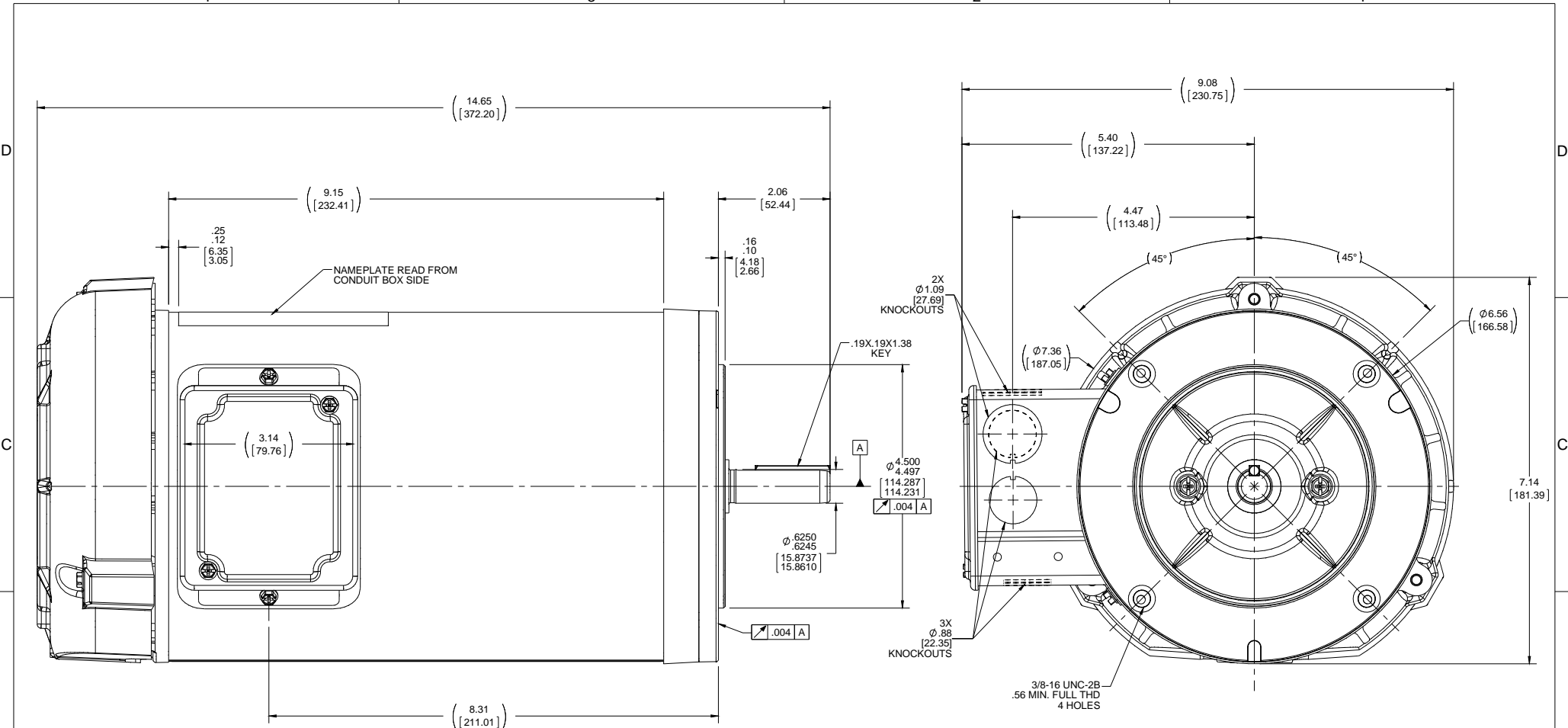
Nameplate Specifications

Output HP	1.50 Hp	Output KW	1.1 kW
Frequency	60 Hz	Voltage	575 V
Current	1.9 A	Speed	1725 rpm
Service Factor	1.15	Phase	3
Efficiency	86.5 %	Duty	Continuous
Insulation Class	B	Design Code	B
KVA Code	P	Frame	56C
Enclosure	Totally Enclosed Fan Cooled	Overload Protector	No
Ambient Temperature	40 °C	Drive End Bearing Size	6205
Opp Drive End Bearing Size	6203	UL	Recognized
CSA	Y	CE	Y
IP Code	43		

Technical Specifications

Electrical Type	Squirrel Cage Induction Run	Starting Method	Across The Line
Poles	4	Rotation	Reversible
Mounting	Round	Motor Orientation	HORIZONTAL
Drive End Bearing	BALL	Opp Drive End Bearing	BALL
Frame Material	Rolled Steel	Shaft Type	NEMA 56
Overall Length	14.65 in	Frame Length	9.15 in
Shaft Diameter	0.625 in	Shaft Extension	2.06 in
Assembly/Box Mounting	F1 ONLY		
Outline Drawing	OL56100144-001	Connection Diagram	CDTS112

This is an uncontrolled document once printed or downloaded and is subject to change without notice. Date Created: 10/30/2018



DRAWING REVISION A	REVISION BY E VILLA	DATE 08-03-2016	TOLERANCES UNLESS OTHERWISE SPECIFIED:		DRAWN BY E VILLA
ECO ECO-0105662	APPROVED BY J.ORTEGA	DATE 08-03-2016	DEC.	INCH	mm
ECO DESCRIPTION NEW MODEL RELEASE			.XX	±0.1	[±2.5]
COPYRIGHT REGAL BELLOTT AMERICA, INC. ALL RIGHTS RESERVED.			.XXX	±0.02	[±0.51]
PROPRIETARY AND CONFIDENTIAL INFORMATION. THIS DOCUMENT IS THE PROPERTY OF REGAL BELLOTT AMERICA, INC. (OWNERS) AND CONTAINS OWNERS' PROPRIETARY INFORMATION. ANY PERSON, CORPORATION OR OTHER FIRM RECEIVING IT IS DEEMED, BY RECEIVING IT, TO AGREE THAT IT, AND/OR ANY PART OF IT, SHALL NOT BE DISCLOSED TO ANY PERSON, CORPORATION OR OTHER ENTITY, DUPLICATED, AND/OR USED, EXCEPT AS EXPRESSLY APPROVED IN WRITING IN ADVANCE BY OWNER. THIS DOCUMENT SHALL BE RETURNED TO OWNER UPON REQUEST. IT MAY BE SUBJECT TO CERTAIN RESTRICTIONS UNDER APPLICABLE EXPORT CONTROL LAWS AND REGULATIONS.			.XXXX	±0.005	[±0.127]
NEW MODEL RELEASE			.XXXX	±0.0005	[±0.0127]
REMOVE BURRS & BREAK SHARP EDGES: .0031 Ø15 [Ø76.381] X 45° CORNER FILLETS: R.02 [S1]			MACHINED SURFACES: 1/25 √ 3/2		APPROVED BY DATE
mm SHOWN IN [BRACKETS]			INCH √ mm		DESCRIPTION OUTLINE
THIRD ANGLE PROJECTION			SIZE C		MATERIAL 56H FR. TEFC, C-FACE, ROUND
DRAWING NUMBER OL56100144-001			SHEET 1 OF 1		PROCESS/FINISH

4

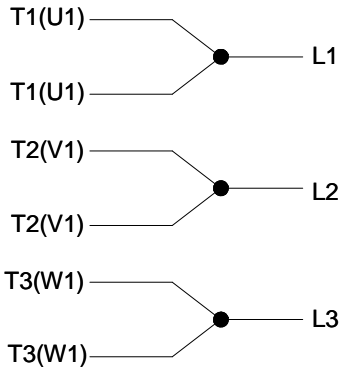
3

2

1

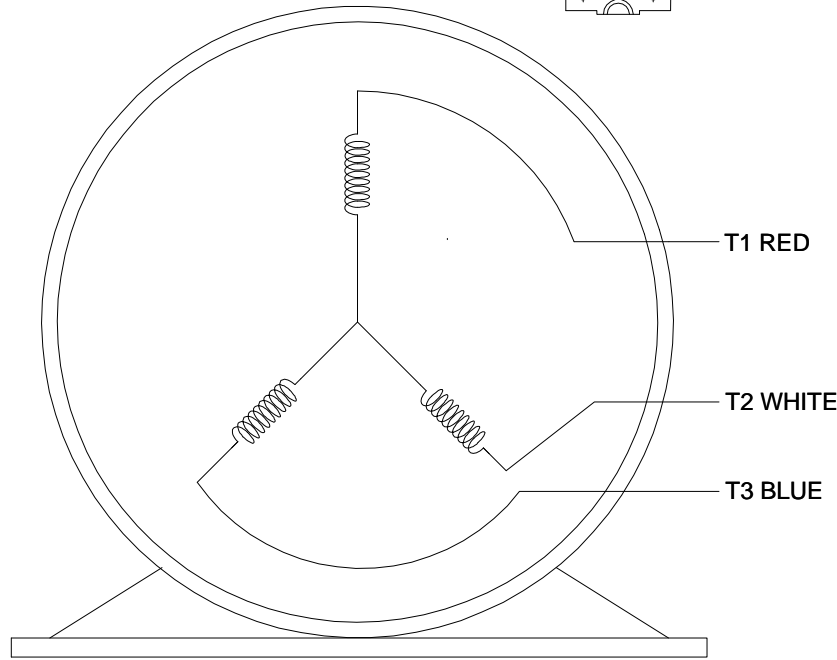
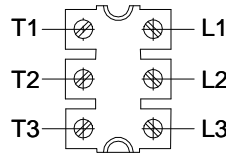
001

IF MOTOR HAS 6 LEADS



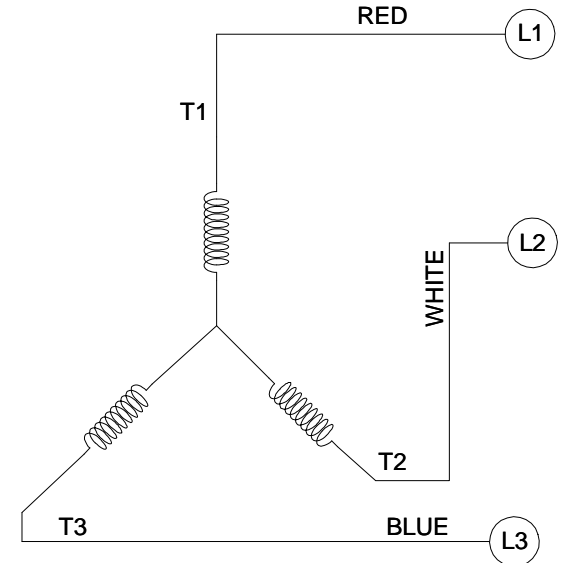
A- 9806 DECAL

TERMINAL BLOCK WHEN SPECIFIED



VIEW OF TERMINAL END

CCW HIGH VOLTAGE



NOTES:

1. TO REVERSE ROTATION, INTERCHANGE ANY TWO LINE CONNECTIONS TO L1, L2, OR L3.
2. CONNECTION DIAGRAM-NAMEPLATE: DD10040-001.

DRAWING REVISION A	REVISION BY G. RODRIGUEZ	DATE 03-20-2018
ECO ECO-0142578	APPROVED BY J. A. MORENO	DATE 03-20-2018
ECO DESCRIPTION NEW RELEASE		
<small>COPYRIGHT REGAL BELOIT AMERICA, INC. ALL RIGHTS RESERVED. PROPRIETARY AND CONFIDENTIAL INFORMATION - THIS DOCUMENT IS THE PROPERTY OF REGAL BELOIT AMERICA, INC. ("OWNER") AND CONTAINS OWNER'S PROPRIETARY INFORMATION. ANY PERSON, CORPORATION OR OTHER FIRM RECEIVING IT IS DEEMED, BY RECEIVING IT, TO AGREE THAT IT, AND/OR ANY PART OF IT, SHALL NOT BE DISCLOSED TO ANY PERSON, CORPORATION OR OTHER ENTITY, DUPLICATED, AND/OR USED, EXCEPT AS EXPRESSLY APPROVED IN WRITING IN ADVANCE BY OWNER. THIS DOCUMENT SHALL BE RETURNED TO OWNER UPON REQUEST. IT MAY BE SUBJECT TO CERTAIN RESTRICTIONS UNDER APPLICABLE EXPORT CONTROL LAWS AND REGULATIONS.</small>		

TOLERANCES UNLESS OTHERWISE SPECIFIED:		
DEC.	INCH	mm
.X	±0.1	[±2.5]
.XX	±0.01	[±0.25]
.XXX	±0.005	[±0.127]
.XXXX	±0.0005	[±0.0127]
REMOVE BURRS & BREAK SHARP		
EDGES: .003/.015 [.076/.381]		
CORNER FILLETS: .02 [.51]		
MACHINED SURFACES: 125/3.2		
mm SHOWN IN [BRACKETS]		

DRAWN BY G. RODRIGUEZ	DATE 03-20-2018
APPROVED BY J. A. MORENO	DATE 03-20-2018
REFERENCE SKT52A105383CA	THIRD ANGLE PROJECTION

Regal Beloit America, Inc.	
DESCRIPTION CONN DIAGRAM-EXTERNAL	
MATERIAL	PROCESS/FINISH
SIZE B	DRAWING NUMBER CDTS112
SHEET 1 OF 1	

Data Sheet

56T17F15674



Submital Data @ 575 V

Date: 9/10/2018
 Customer: _____
 Attention: _____
 Submitted by: FAREEDA DUDEKULA

Motor Load Data

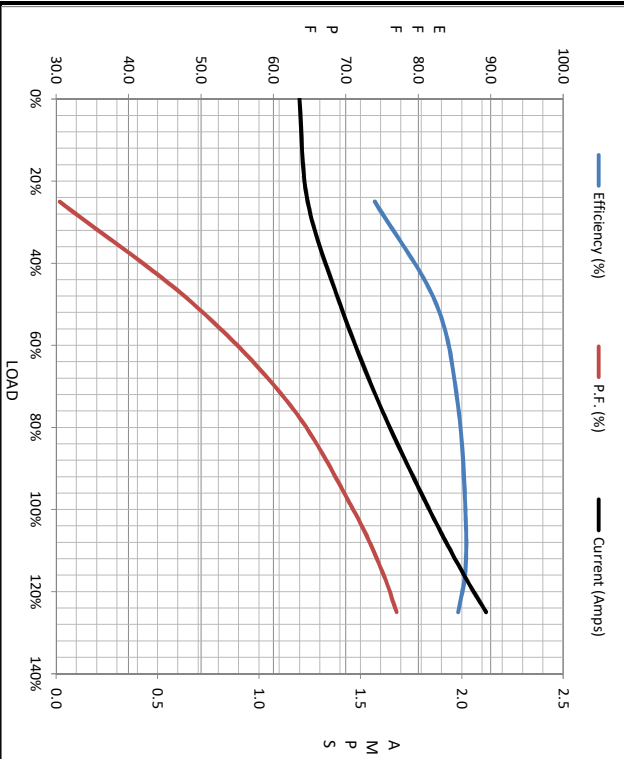
Load	0%	25%	50%	75%	100%	115%	125%	LR
Current (Amps)	1.20	1.24	1.40	1.60	1.84	2.00	2.12	19.2
Torque (ft-lb)	0.00	1.10	2.20	3.5	4.5	5.2	5.7	21.2
RPM	1800	1790	1780	1765	1755	1,750	1745	0
Efficiency (%)		74.0	82.5	85.5	86.5	86.5	85.5	
P.F. (%)	7.5	30.5	49.0	62.5	71.0	75.0	77.0	69.5

Motor Speed Data

	LR	Pull-Up	BD	Rated	Idle
Speed (RPM)	0	130	1190	1755	1800
Current (Amps)	19.2	18.6	12.8	1.84	1.20
Torque (ft-lb)	21.2	20.2	26.0	4.5	0.00

Information Block

HP	1.5			
Sync. RPM	1800			
Frame	145364TFC6081			
Enclosure	TEFC			
Construction	TFR			
Voltage	575 V			
Frequency	60 Hz			
Design	A			
LR Code letter	P			
Service Factor	1.15			
Temp Rise @ FL	35 °C			
Duty	CONT			
Ambient	40 °C			
Elevation	1,000 feet			
Rotor/Shaft wk ²	0.14 Lb-Ft ²			
Ret Wdg	ZT4256 FR			
Sound Pressure @ 1M	62 dBA			
VFD Rating	NONE			
Outline Dwg	OL56100144-001			
Conn. Diag	CDTS112			
Additional Specifications:				
0				
0				
R1	R2	X1	X2	Xm
7.5600	5.9060	11.1330	11.1920	296.2580



Speed - Torque Curve

