

PRODUCT INFORMATION PACKET

marathon[®]
Motors

Model No: 215TTFCD6030
Catalog No: GT1119A
10,1800,TEFC,215T,3/60/575
Totally Enclosed Fan Cooled (TEFC)



Regal and Marathon are trademarks of Regal Beloit Corporation or one of its affiliated companies.
©2018 Regal Beloit Corporation, All Rights Reserved. MC017097E

REGAL[®]



Nameplate Specifications

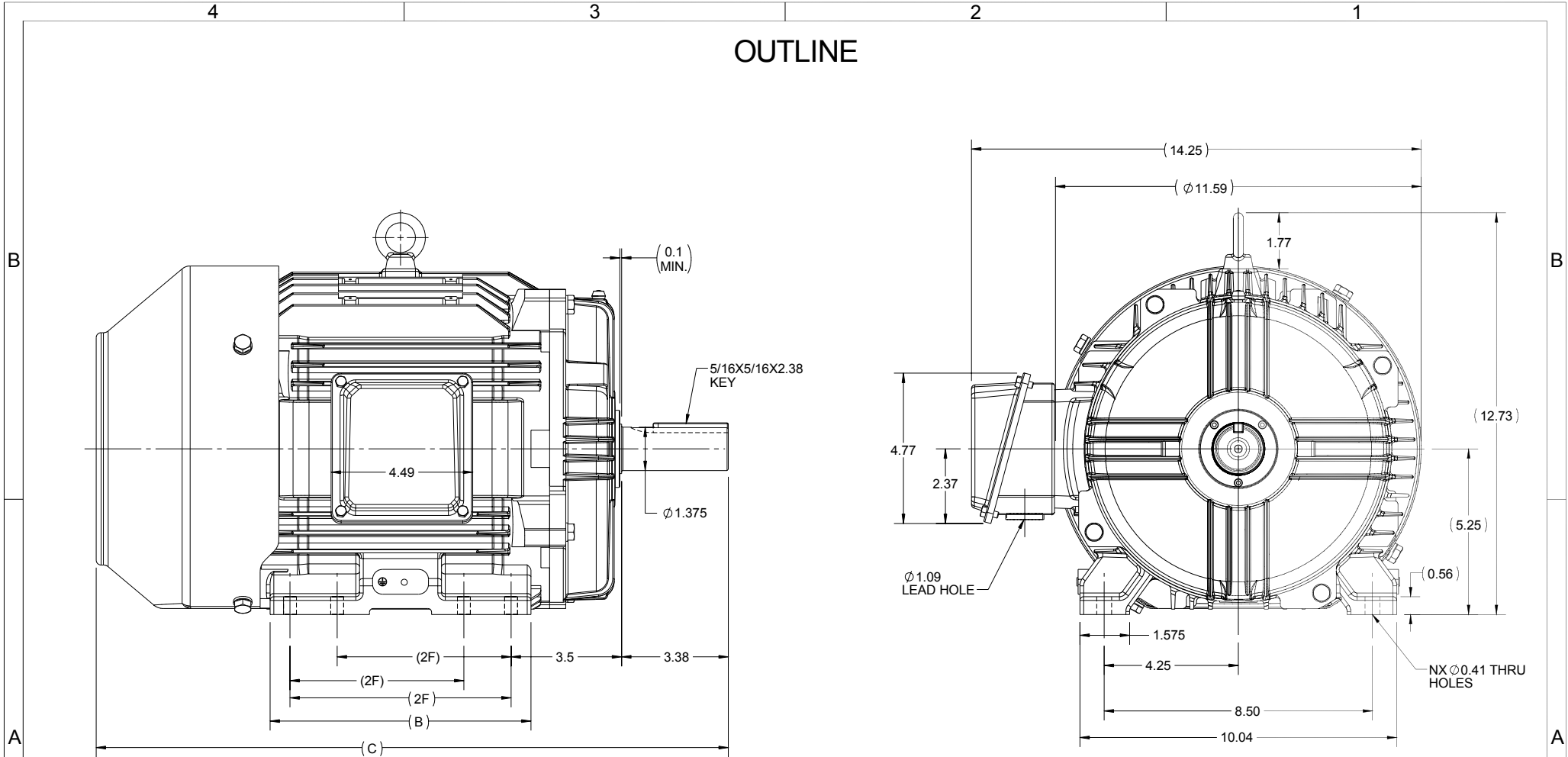
Output HP	10 Hp	Output KW	7.5 kW
Frequency	60 Hz	Voltage	575 V
Current	10.0 A	Speed	1762 rpm
Service Factor	1.15	Phase	3
Efficiency	92.1 %	Duty	Continuous
Insulation Class	F	Design Code	B
KVA Code	H	Frame	215T
Enclosure	Totally Enclosed Fan Cooled	Overload Protector	No
Ambient Temperature	40 °C	Drive End Bearing Size	6308
Opp Drive End Bearing Size	6208	UL	Listed
CSA	Y	CE	Y
IP Code	55		

Technical Specifications

Electrical Type	Squirrel Cage Inverter Rated	Starting Method	Line Or Inverter
Poles	4	Rotation	Reversible
Mounting	Rigid base	Motor Orientation	Horizontal
Drive End Bearing	Ball	Opp Drive End Bearing	Ball
Frame Material	Cast Iron	Shaft Type	T
Frame Length	9.44 in	Shaft Diameter	1.375 in
Shaft Extension	3.38 in	Assembly/Box Mounting	F1/F2 Capable
Outline Drawing	SS620702	Connection Diagram	EE7300

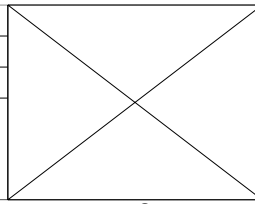
This is an uncontrolled document once printed or downloaded and is subject to change without notice. Date Created: 07/02/2018

OUTLINE




213T	6.76	18.53	5.5	4
215T	8.26	20.03	7.0	8
FRAME	B	C	2F	N

DRAWING REVISION B	REVISION BY UDAY	DATE 14/10/2015
ECO ECO-0087054	APPROVED BY SBD	DATE 14/10/2015
ECO DESCRIPTION UPDATED DRAWING		
<small>COPYRIGHT REGAL BELOIT AMERICA, INC. ALL RIGHTS RESERVED. PROPRIETARY AND CONFIDENTIAL INFORMATION - THIS DOCUMENT IS THE PROPERTY OF REGAL BELOIT AMERICA, INC. ("OWNER") AND CONTAINS OWNER'S PROPRIETARY INFORMATION. ANY PERSON, CORPORATION OR OTHER FIRM RECEIVING IT IS DEEMED, BY RECEIVING IT, TO AGREE THAT IT, AND/OR ANY PART OF IT, SHALL NOT BE DISCLOSED TO ANY PERSON, CORPORATION OR OTHER ENTITY, DUPLICATED, AND/OR USED, EXCEPT AS EXPRESSLY APPROVED IN WRITING IN ADVANCE BY OWNER. THIS DOCUMENT SHALL BE RETURNED TO OWNER UPON REQUEST. IT MAY BE SUBJECT TO CERTAIN RESTRICTIONS UNDER APPLICABLE EXPORT CONTROL LAWS AND REGULATIONS.</small>		



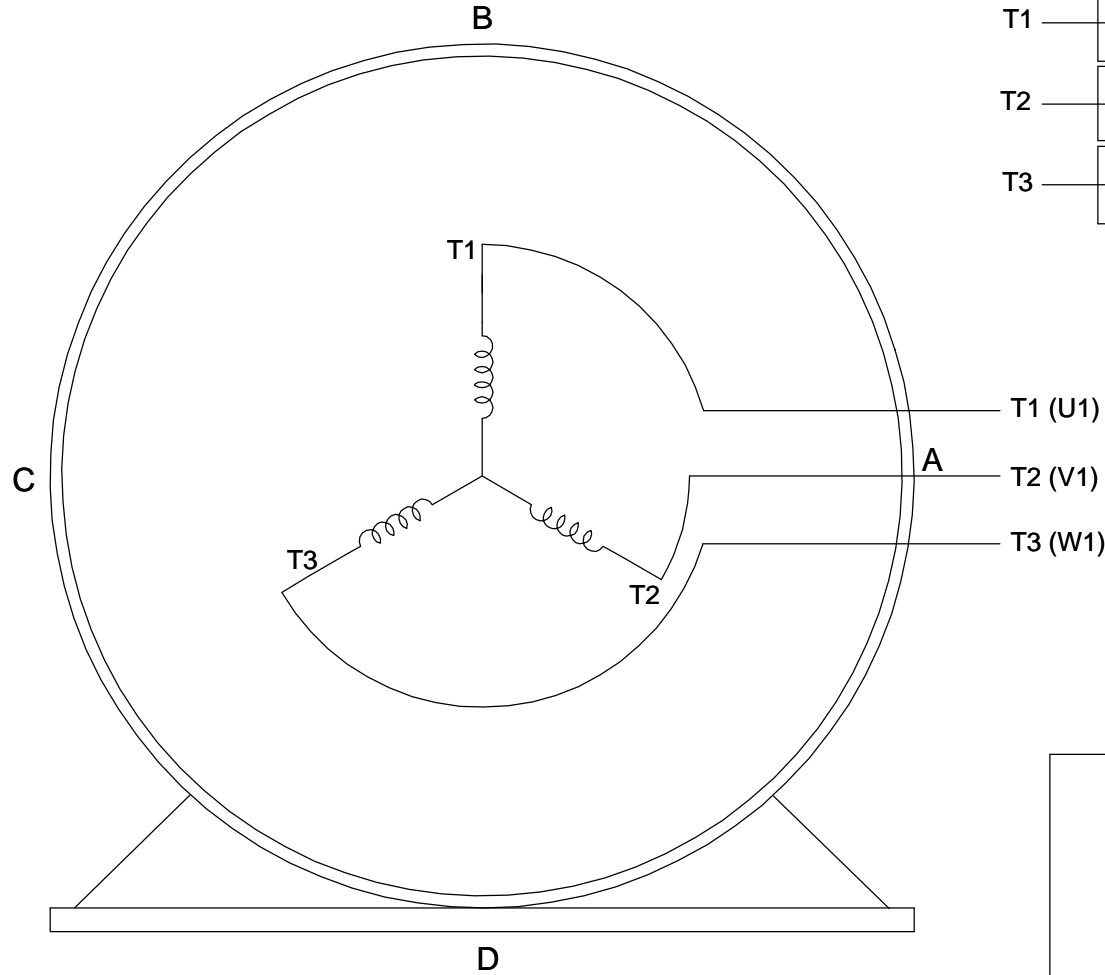
DRAWN BY JOY
DATE 04/05/2015
APPROVED BY SBD
DATE 04/05/2015
REFERENCE
THIRD ANGLE PROJECTION

 REGAL-BELOIT CORPORATION	
DESCRIPTION <h2>OUTLINE</h2> 213/215T FR TEFC- CAST IRON	
MATERIAL	PROCESS/FINISH
SIZE B	DRAWING NUMBER SS620702
	SHEET 1 OF 1

**THREE PHASE - SINGLE VOLTAGE
MOTOR - CONDUIT BOX @ 'A'**

**TO REVERSE ROTATION:
INTERCHANGE ANY TWO
LINE LEAD CONNECTIONS.**

TERMINAL BLOCK WHEN SPECIFIED



VIEW OF TERMINAL END

**IF MOTOR HAS
6 LEADS**



A-9806 DECAL

**OPTIONAL CORD
CONNECTION**

- L1 _____ WHITE
- L2 _____ RED
- L3 _____ BLACK

DRAWING REVISION AB	REVISION BY JJB	DATE 06-27-2017
ECO ECO-0125361	APPROVED BY TB	DATE 06-27-2017
ECO DESCRIPTION UPDATED TO CURRENT STANDARDS		
<small>COPYRIGHT REGAL BELOIT AMERICA, INC. ALL RIGHTS RESERVED. PROPRIETARY AND CONFIDENTIAL INFORMATION - THIS DOCUMENT IS THE PROPERTY OF REGAL BELOIT AMERICA, INC. ("OWNER") AND CONTAINS OWNER'S PROPRIETARY INFORMATION. ANY PERSON, CORPORATION OR OTHER FIRM RECEIVING IT IS DEEMED, BY RECEIVING IT, TO AGREE THAT IT, AND/OR ANY PART OF IT, SHALL NOT BE DISCLOSED TO ANY PERSON, CORPORATION OR OTHER ENTITY, DUPLICATED, AND/OR USED, EXCEPT AS EXPRESSLY APPROVED IN WRITING IN ADVANCE BY OWNER. THIS DOCUMENT SHALL BE RETURNED TO OWNER UPON REQUEST. IT MAY BE SUBJECT TO CERTAIN RESTRICTIONS UNDER APPLICABLE EXPORT CONTROL LAWS AND REGULATIONS.</small>		



DRAWN BY DA
DATE 03-26-1993
APPROVED BY TB
DATE 03-26-1993
REFERENCE
THIRD ANGLE PROJECTION

Regal Beloit America, Inc.		
		DESCRIPTION CONNECTION DIAGRAM EXTERNAL - SINGLE VOLTAGE - 3Ø MOTOR
MATERIAL	PROCESS/FINISH	
SIZE A	DRAWING NUMBER EE7300	SHEET 1 OF 1



**P.O. BOX 8003
WAUSAU, WI 54401-8003
PH. 715-675-3311**

CERTIFICATION DATA SHEET

CUSTOMER: CUSTOMER PO #:
ORDER #: MODEL #: 215TTFCD6030 A
CONN. DIAGRAM: EE7300 CUSTOMER PART #:
OUTLINE: SS620702 MOUNTING: F1/F2 CAPABLE
WINDING #: HE31324013 3

TYPICAL MOTOR PERFORMANCE DATA

HP	KW	SYNC. RPM	F.L. RPM	FRAME	ENCLOSURE	KVA CODE	DESIGN	
10	7.50	1800	1762	215T	TEFC	H	B	
PH	HZ	VOLTS	AMPS	START TYPE	DUTY	INSL	S.F.	AMB°C
3	60	575	10	LINE OR INVERTER	CONTINUOUS	F7	1.15	40

FULL LOAD EFF:	92.1	3/4 LOAD EFF:	91.6	1/2 LOAD EFF:	90.8	GTD. EFF		ELEC. TYPE
FULL LOAD PF:	81.3	3/4 LOAD PF:	76.6	1/2 LOAD PF:	66	91		SQ CAGE INV RATED
F.L. TORQUE	LOCKED ROTOR AMPS	L.R. TORQUE	B.D. TORQUE	F.L. RISE°C				
29.8 LB-FT	63.2	59 LB-FT	198 %	74 LB-FT	248 %	70		

SOUND PRESSURE @ 3 FT.	SOUND POWER	ROTOR WK^2	MAX. WK^2	SAFE STALL TIME	STARTS / HOUR	APPROX. MOTOR WGT
62 DBA	72 DBA	1.1 LB-FT^2	85 LB-FT^2	25 SEC.	2	210 LBS.

***** SUPPLEMENTAL INFORMATION *****

DE BRACKET TYPE	ODE BRACKET TYPE	MOUNT TYPE	ORIENTATION	SEVERE DUTY	HAZARDOUS LOCATION	DRIP COVER	SCREENS	PAINT
STANDARD	STANDARD	RIGID	HORIZONTAL	FALSE	DIVISION 2 T2B	FALSE	NONE	BLUE (ENAMEL)
BEARINGS		GREASE	SHAFT TYPE	SPECIAL DE	SPECIAL ODE	SHAFT MATERIAL	FRAME MATERIAL	
DE BALL	ODE BALL	POLYREX EM	T	NONE	NONE	1045 HOT ROLLED (C-204)	CAST IRON	
6308	6208							

THERMO-PROTECTORS				THERMISTORS			SPACE HEATERS	
THERMOSTATS	PROTECTORS	WDG RTDS	BRG RTDS	NONE	FALSE	NONE	NONE	VOLTS
NONE	NOT	NONE	NONE					

INVERTER	TORQUE: CONSTANT 4:1/VARIABLE 20:1
INV. HP SPEED RANGE:	NONE
ENCODER:	NONE
O	NONE
T	NONE
E	PPR
S	NONE
BRAKE:	NONE
P/N	NONE
FT-LB	NONE
V	NONE
Hz	

PREPARED BY: Anusha Muthyala
DATE: 05/04/2018 02:30:29 AM
FORM 3531 REV.3 02/07/99
 ** Subject to change without notice.

MARATHON ELECTRIC CORPORATION

TYPICAL PERFORMANCE CURVE for AC MOTOR

Customer

Curve at

575

Volts

HP 10.00

PHASE 3

Model No 215TTFC6030

60

HZ

VOLTS 575

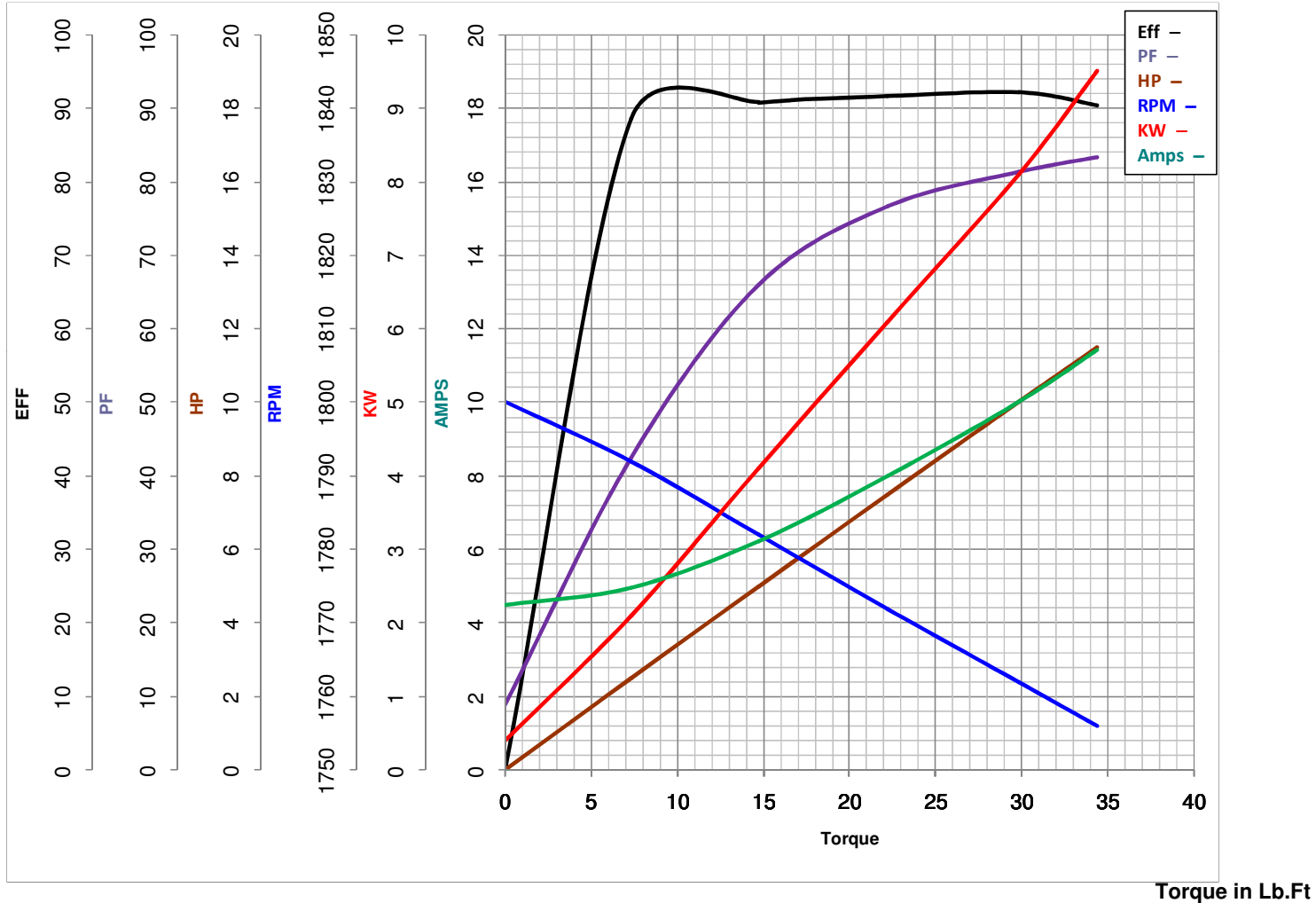
10

HP

Catalog No GT1119A

HZ 60

RPM 1762



FL TORQUE	<u>29.8</u>	Lb.Ft	FL AMPS	<u>10</u>	
BD TORQUE	<u>74.0</u>	Lb.Ft	PU TORQUE	<u>51.0</u>	Lb.Ft
LR TORQUE	<u>59</u>	Lb.Ft	LR AMPS	<u>63.2</u>	
WINDING	HE31324013-3	Prepared By	ANUSHA M	Date	5/4/2018