

PRODUCT INFORMATION PACKET

Model No: 404TTFC6683
Catalog No: Y850A
60,1200,TEFC,404T,3/60/230/460
Other Purpose



Regal and Marathon are trademarks of Regal Beloit Corporation or one of its affiliated companies.
©2018 Regal Beloit Corporation, All Rights Reserved. MC017097E





Nameplate Specifications

| | | | |
|----------------------------|-----------------|------------------------|-------------------|
| Output HP | 60 Hp | Output KW | 45 kW |
| Frequency | 60 Hz | Voltage | 230/460 V |
| Current | 144/72 A | Speed | 1188 rpm |
| Service Factor | 1.15 | Phase | 3 |
| Efficiency | 94.5 % | Duty | CONTINUOUS |
| Insulation Class | F | Design Code | C |
| KVA Code | G | Frame | 404T |
| Enclosure | TEFC | Overload Protector | NOT |
| Ambient Temperature | 40 °C | Drive End Bearing Size | NU316 |
| Opp Drive End Bearing Size | 6315 | UL | Recognized |
| CSA | Y | CE | Y |
| IP Code | 55 | | |

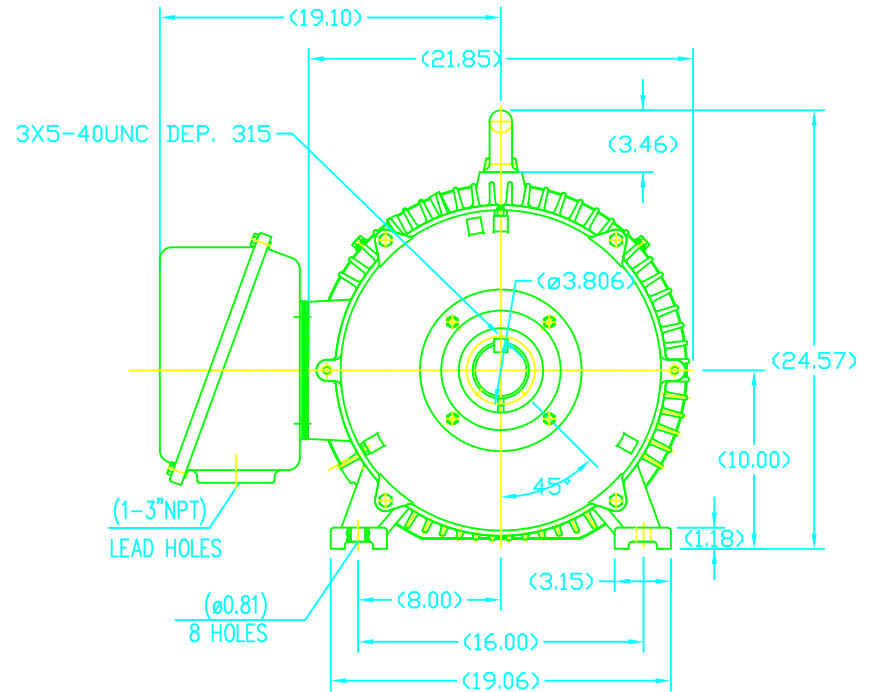
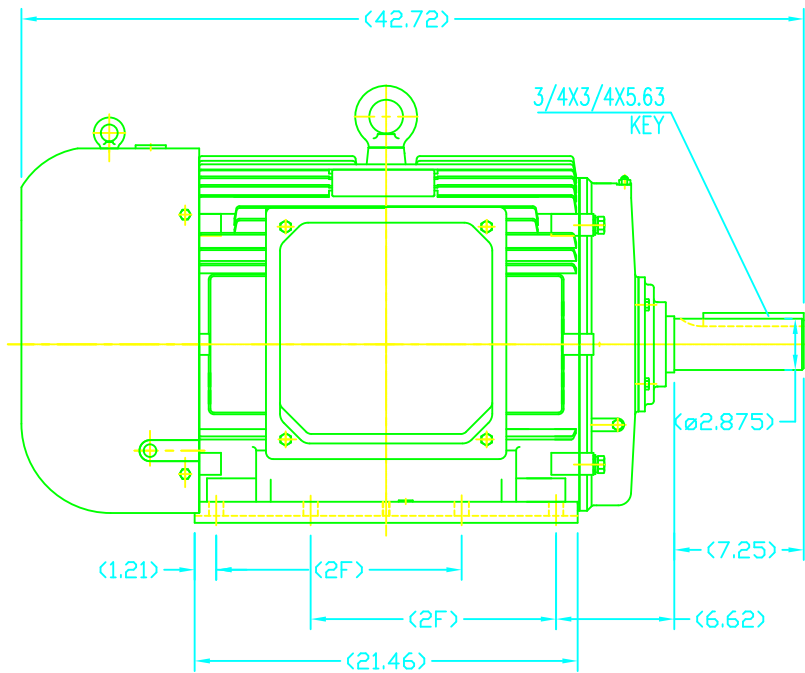
Technical Specifications

| | | | |
|-------------------|--------------------------|-----------------------|-------------------------------|
| Electrical Type | SQ CAGE INV RATED | Starting Method | PWS & YDRUN OR INV |
| Poles | 6 | Rotation | REV |
| Mounting | RIGID | Motor Orientation | HORIZONTAL |
| Drive End Bearing | ROLLER | Opp Drive End Bearing | BALL |
| Frame Material | CAST IRON | Shaft Type | T |
| Overall Length | 42.72 in | Shaft Diameter | 2.88 in |
| Shaft Extension | 7.25 in | Assembly/Box Mounting | F1/F2 CAPABLE |
| Outline Drawing | SS620676 | Connection Diagram | EE7308AA |

This is an uncontrolled document once printed or downloaded and is subject to change without notice. Date Created: 04/05/2018

Uncontrolled Copy

SS620676



| | |
|-------|-------|
| 404T | 12.25 |
| 405T | 13.75 |
| FRAME | 2F |

| | | | | | | | |
|--|--|-------------|--|-----------------------------|--------------|----------------------|--|
| | | | | TOLERANCES UNLESS SPECIFIED | | DRAWN ZYH 12-02-2014 | |
| | | | | DEC. | INCHES | CHK HZJ 12-02-2014 | |
| | | | | X | ±.1 | APPD CL 12-02-2014 | |
| | | | | .XX | ±.03 | SCALE | |
| | | | | .XXX | ±.005 | REF | |
| | | | | .XXX | ±.0005 | FMF Wuxi | |
| A RELEASED FOR PRODUCTION ECD-0074303 | | VGJ 5/12/15 | | AB | .XXXX ±.0005 | PREV | |
| ND. | | REVISION | | BY & DATE | | CAD FILE | |
| THIS DRAWING IN DESIGN AND DETAIL IS OUR PROPERTY AND MUST NOT BE USED EXCEPT IN CONNECTION WITH OUR WORK ALL RIGHTS OF DESIGN AND INVENTION ARE RESERVED THIS IS AN ELECTRONICALLY GENERATED DOCUMENT - DO NOT SCALE THIS PRINT | | | | CHK | ANG | SIZE DRAWING NO. | |
| | | | | RFP | ±1/2 | B SS620676 | |
| | | | | DIST | | REV. A | |



LOW VOLTAGE



HIGH VOLTAGE



| | | |
|--|------------------------------|---------------------------|
| DRAWING REVISION K | REVISION BY AJW | DATE 07-17-2015 |
| ECO ECO-0081632 | APPROVED BY T. VUE | DATE 07-17-2015 |
| ECO DESCRIPTION REV'D IEC MARKINGS PER IEC 60034-8 | | |
| COPYRIGHT REGAL BELOIT AMERICA, INC. ALL RIGHTS RESERVED. PROPRIETARY AND CONFIDENTIAL INFORMATION - THIS DOCUMENT IS THE PROPERTY OF REGAL BELOIT AMERICA, INC. ("OWNER") AND CONTAINS OWNER'S PROPRIETARY INFORMATION. ANY PERSON, CORPORATION OR OTHER FIRM RECEIVING IT IS DEEMED, BY RECEIVING IT, TO AGREE THAT IT, AND/OR ANY PART OF IT, SHALL NOT BE DISCLOSED TO ANY PERSON, CORPORATION OR OTHER ENTITY, DUPLICATED, AND/OR USED, EXCEPT AS EXPRESSLY APPROVED IN WRITING IN ADVANCE BY OWNER. THIS DOCUMENT SHALL BE RETURNED TO OWNER UPON REQUEST. IT MAY BE SUBJECT TO CERTAIN RESTRICTIONS UNDER APPLICABLE EXPORT CONTROL LAWS AND REGULATIONS. | | |



| | | |
|---------------------------|---|-----------------------------------|
| DRAWN BY LZ | Regal Beloit America, Inc. | |
| DATE 01-12-1994 | | |
| APPROVED BY GK | DESCRIPTION CONN DIAGRAM-EXTERNAL 3Ø-2/1 DELTA-12 LEADS | |
| DATE 01-14-1994 | | |
| REFERENCE | MATERIAL | PROCESS/FINISH |
| THIRD ANGLE PROJECTION | SIZE A | DRAWING NUMBER EE7308AA |
| | | SHEET 1 OF 1 |

** Subject to change without notice.

Data Sheet

Date: 6/19/2017

404TTC6683

Customer:



Submital

Attention:

FAREEDA DUDEKULA

Data @ 460 V

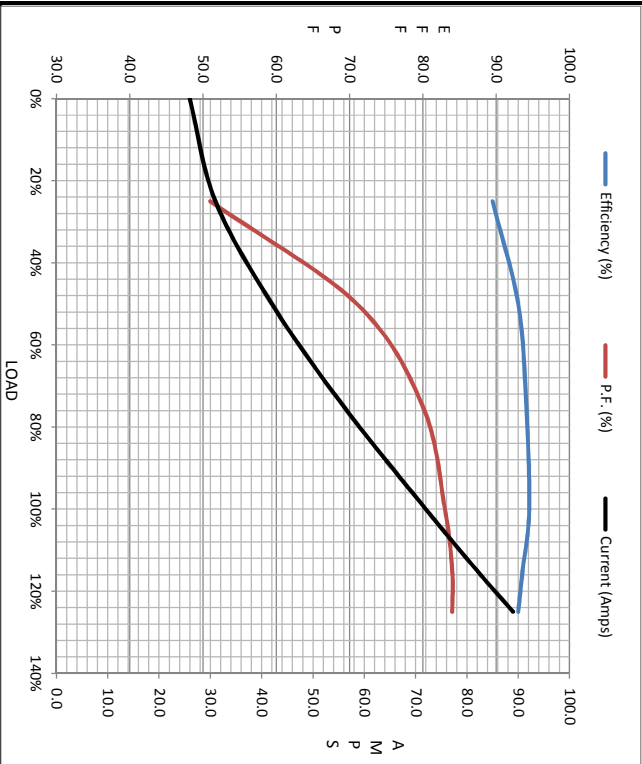
| Load | Motor Load Data | | | | | | |
|----------------|-----------------|------|------|------|------|-------|------|
| | 0% | 25% | 50% | 75% | 100% | 115% | 125% |
| Current (Amps) | 26.0 | 31.0 | 42.0 | 56.0 | 72.0 | 82.0 | 89.0 |
| Torque (ft-lb) | 0.00 | 66.0 | 132 | 199 | 265 | 306 | 333 |
| RPM | 1200 | 1198 | 1195 | 1192 | 1188 | 1,186 | 1182 |
| Efficiency (%) | | 89.5 | 93.0 | 94.1 | 94.5 | 93.6 | 93.0 |
| P.F. (%) | 5.5 | 51.0 | 71.0 | 80.0 | 83.0 | 84.0 | 84.0 |

Motor Speed Data

| | LR | Pull-Up | BD | Rated | Idle |
|----------------|-----|---------|------|-------|------|
| Speed (rpm) | 0 | 600 | 1150 | 1188 | 1200 |
| Current (Amps) | 435 | 350 | 250 | 72.0 | 26.0 |
| Torque (ft-lb) | 550 | 450 | 600 | 265 | 0.00 |

Information Block

| | |
|----------------------------|------------------|
| HP | 60.0 |
| Sync. RPM | 1200 |
| Frame | 404 |
| Enclosure | TFC |
| Construction | TFC |
| Voltage | 30/460#190/38 V |
| Frequency | 60 Hz |
| Design | B |
| LR Code letter | G |
| Service Factor | 1.15 |
| Temp Rise @ FL | 75 °C |
| Duty | CONT |
| Ambient | 40 °C |
| Elevation | 1,000 feet |
| Rotor/Shaft wkt | 42.0 Ld-Fe |
| Rel Wdg | CHT40460003 NONE |
| Sound Pressure @ 1M | 68 dBA |
| VFD Rating | CONSTANT 10:1 |
| Outline Dwg | SS620676 |
| Conn. Diag | EE7308AA |
| Additional Specifications: | |
| 0 | |
| EQUIV CKT (OHMS / PHASE) | |
| R1 | R2 |
| 0.0660 | 0.0350 |
| X1 | X2 |
| 0.3170 | 0.6150 |
| Xm | Xm |
| | 10.2030 |



Speed - Torque Curve

