

PRODUCT INFORMATION PACKET

marathon[®]
Motors

Model No: 215TTGND16539
Catalog No: U992B-P
10,1800,EPFC,215T/3/60/230/460
Explosion Proof



Regal and Marathon are trademarks of Regal Beloit Corporation or one of its affiliated companies.
©2018 Regal Beloit Corporation, All Rights Reserved. MC017097E

REGAL[®]



Nameplate Specifications

Output HP	10 Hp	Output KW	7.5 kW
Frequency	60 Hz	Voltage	230/460 V
Current	26.6/13.3 A	Speed	1765 rpm
Service Factor	1.15	Phase	3
Efficiency	91.7 %	Duty	Continuous
Insulation Class	F	Design Code	B
KVA Code	H	Frame	215T
Enclosure	Explosion Proof Fan cooled	Overload Protector	No
Ambient Temperature	40 °C	Drive End Bearing Size	6307
Opp Drive End Bearing Size	6208	UL	No
CSA	N	CE	N
IP Code	54		

Technical Specifications

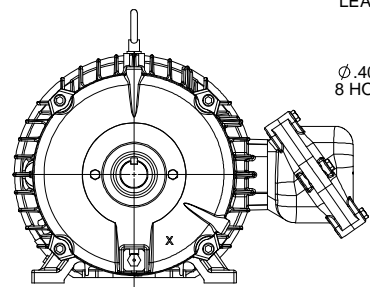
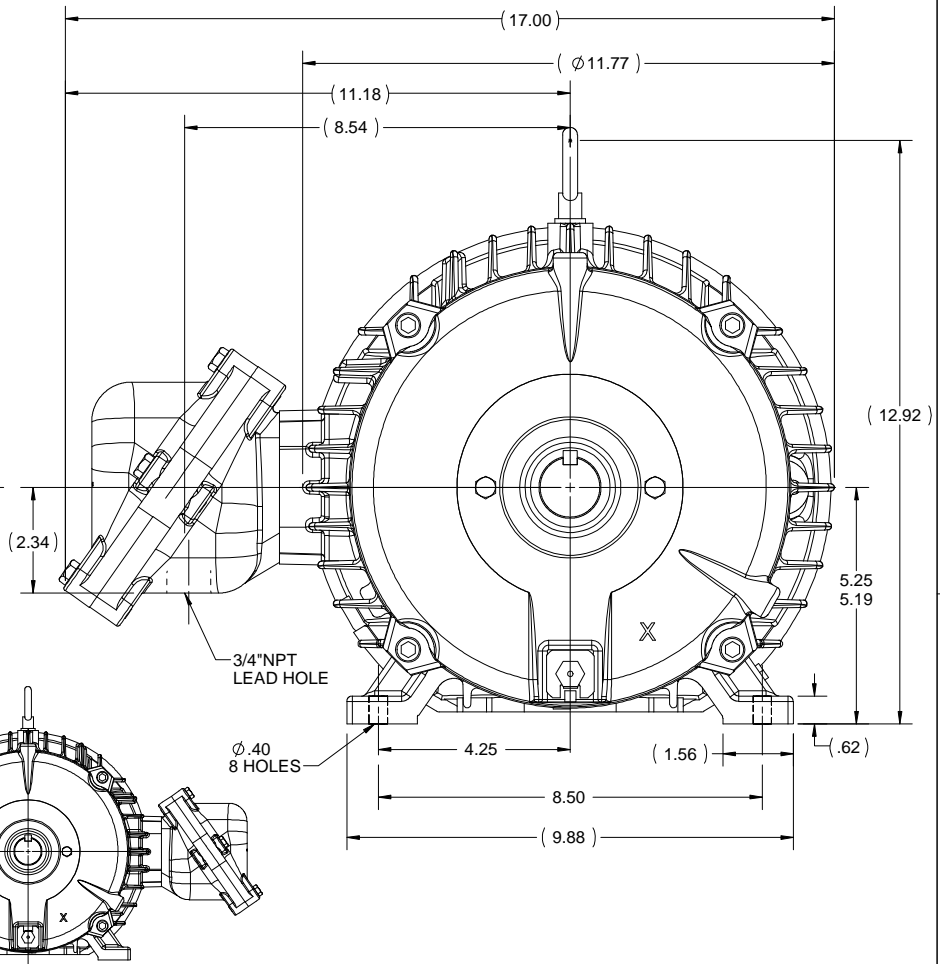
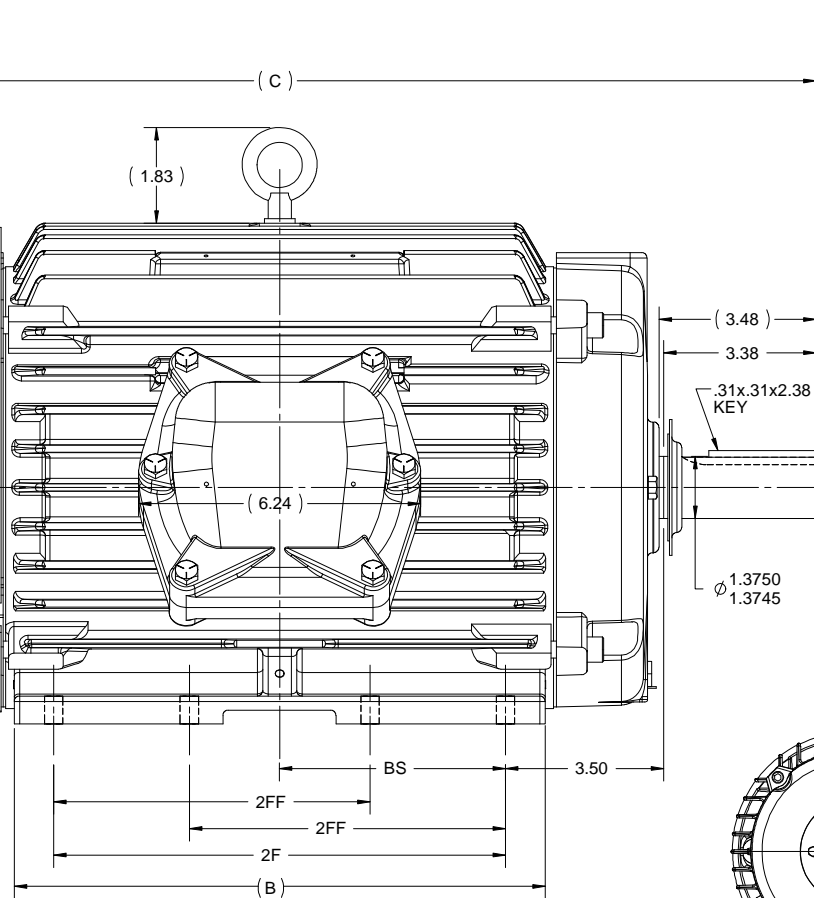
Electrical Type	Squirrel Cage Inverter Rated	Starting Method	Line Or Inverter
Poles	4	Rotation	Reversible
Mounting	Rigid base	Motor Orientation	HORIZONTAL
Drive End Bearing	BALL	Opp Drive End Bearing	BALL
Frame Material	Cast Iron	Shaft Type	T
Overall Length	22.63 in	Frame Length	12.12 in
Shaft Diameter	1.375 in	Shaft Extension	3.38 in
Assembly/Box Mounting	F1 ONLY		
Outline Drawing	037660-1212	Connection Diagram	A-EE7308T

This is an uncontrolled document once printed or downloaded and is subject to change without notice. Date Created: 10/30/2018

B

B

TERM.
END



F2 MOUNTING

A

A

- NOTES:
1. CONDUIT BOX CAN BE ROTATED IN 90° STEPS.
 2. CONDUIT BOX CAN BE MOUNTED IN OPPOSITE SIDE BY REMOVING BRACKETS AND TURNING FRAME 180°. THIS MODIFICATION CAN BE PERFORMED ONLY BY THE ORIGINAL EQUIPMENT MANUFACTURER, OR BY A FACILITY THAT IS COVERED UNDER UNDERWRITERS LABORATORIES INC. CATEGORY PTKQ, TITLED "MOTOR AND GENERATORS, REBUILT FOR USE IN HAZARDOUS LOCATION".
 3. NAMEPLATE TO BE READ FROM CONDUIT BOX SIDE OF MOTOR.

1212	215	22.63	11.76	10	7	5
912	213/215	19.63	8.63	7	5.5	3.5
DASH	FRAME	C	B	2F	2FF	BS

DRAWING REVISION G	REVISION BY MVG	DATE 02/08/2019
ECO-0139404	APPROVED BY SR	DATE 02/08/2019
ECO DESCRIPTION OUTLINE UPDATED AS PER ECR-0149056		
<small>COPYRIGHT REGAL BELOIT AMERICA, INC. ALL RIGHTS RESERVED. PROPRIETARY AND CONFIDENTIAL INFORMATION - THIS DOCUMENT IS THE PROPERTY OF REGAL BELOIT AMERICA, INC. ("OWNER") AND CONTAINS OWNER'S PROPRIETARY INFORMATION. ANY PERSON, CORPORATION OR OTHER FIRM RECEIVING IT IS DEEMED, BY RECEIVING IT, TO AGREE THAT IT, AND/OR ANY PART OF IT, SHALL NOT BE DISCLOSED TO ANY PERSON, CORPORATION OR OTHER ENTITY, DUPLICATED, AND/OR USED, EXCEPT AS EXPRESSLY APPROVED IN WRITING IN ADVANCE BY OWNER. THIS DOCUMENT SHALL BE RETURNED TO OWNER UPON REQUEST. IT MAY BE SUBJECT TO CERTAIN RESTRICTIONS UNDER APPLICABLE EXPORT CONTROL LAWS AND REGULATIONS.</small>		

TOLERANCES UNLESS OTHERWISE SPECIFIED:		
DEC.	INCH	mm
.X	+0.1	[+2.5]
.XX	+0.03	[+0.76]
.XXX	+0.005	[+0.127]
.XXXX	+0.0005	[+0.0127]
REMOVE BURRS & BREAK SHARP		
EDGES: .003/.015 [0.076/.381] X 45°		
CORNER FILLETS: R.02 [51]		
MACHINED SURFACES: 200 5.1		
mm SHOWN IN [BRACKETS]		

DRAWN BY AK 10/28/2009
DATE
APPROVED BY
DATE
REFERENCE SS84370
THIRD ANGLE PROJECTION

Regal Beloit America, Inc.	
DESCRIPTION	OUTLINE 210 FR. - EPFC
MATERIAL	PROCESS/FINISH
SIZE B	DRAWING NUMBER 037660
SHEET 1 OF 1	

HIGH VOLTAGE

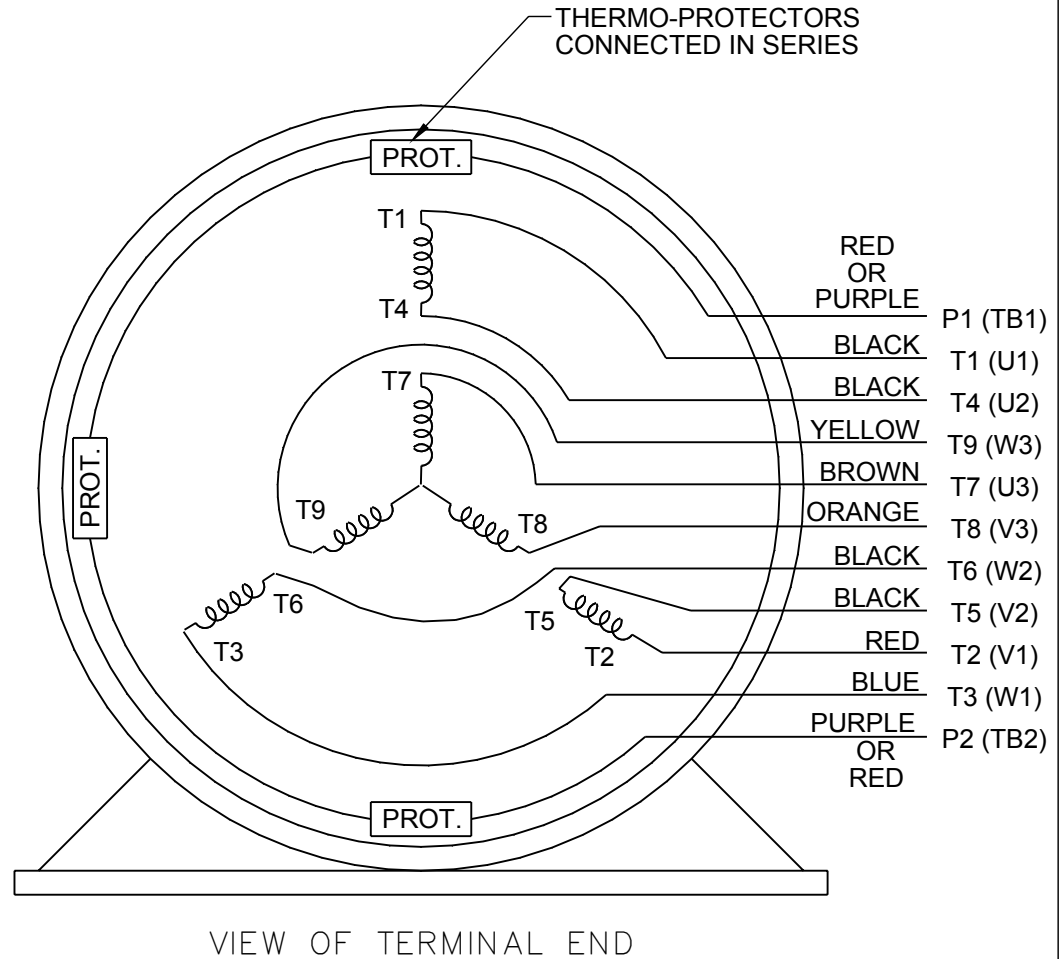


NOTE FOR FACTORY USE ONLY:
 TO SURGE TEST FOR COMMON CONNECT:
 HIGH VOLT: CONNECT P1 TO T1
 THEN P2 TO L1
 LOW VOLT: CONNECT P1 TO T1 & T7,
 THEN P2 TO L1

LOW VOLTAGE



THREE PHASE
 DUAL VOLTAGE MOTOR



NOTE: LEAD'S COLOR CAN BE YELLOW OR WHITE FOR MT2 PLANT

DRAWING REVISION R	REVISION BY AJW	DATE 07-17-2015		DRAWN BY SMC	Regal Beloit America, Inc.
ECO ECO-0081632	APPROVED BY T. VUE	DATE 07-17-2015		DATE 05-13-1992	
ECO DESCRIPTION REV'D IEC NOTATIONS PER IEC 60034-8				APPROVED BY TB	DESCRIPTION CONN DIAGRAM-INTERNAL 3 PHASE - DUAL VOLTAGE MOTOR
<small>COPYRIGHT REGAL BELOIT AMERICA, INC. ALL RIGHTS RESERVED. PROPRIETARY AND CONFIDENTIAL INFORMATION - THIS DOCUMENT IS THE PROPERTY OF REGAL BELOIT AMERICA, INC. ("OWNER") AND CONTAINS OWNER'S PROPRIETARY INFORMATION. ANY PERSON, CORPORATION OR OTHER FIRM RECEIVING IT IS DEEMED, BY RECEIVING IT, TO AGREE THAT IT, AND/OR ANY PART OF IT, SHALL NOT BE DISCLOSED TO ANY PERSON, CORPORATION OR OTHER ENTITY, DUPLICATED, AND/OR USED, EXCEPT AS EXPRESSLY APPROVED IN WRITING IN ADVANCE BY OWNER. THIS DOCUMENT SHALL BE RETURNED TO OWNER UPON REQUEST. IT MAY BE SUBJECT TO CERTAIN RESTRICTIONS UNDER APPLICABLE EXPORT CONTROL LAWS AND REGULATIONS.</small>				DATE 05-13-1992	MATERIAL
			REFERENCE EE7308/EE7300	SIZE A	DRAWING NUMBER EE7308T