

PRODUCT INFORMATION PACKET

marathon[®]
Motors

Model No: 445TSTFCD6036
Catalog No: GT1065
150,1800,TEFC,445TS,3/60/460
Totally Enclosed Fan Cooled (TEFC)



Regal and Marathon are trademarks of Regal Beloit Corporation or one of its affiliated companies.
©2018 Regal Beloit Corporation, All Rights Reserved. MC017097E

REGAL[®]



Nameplate Specifications

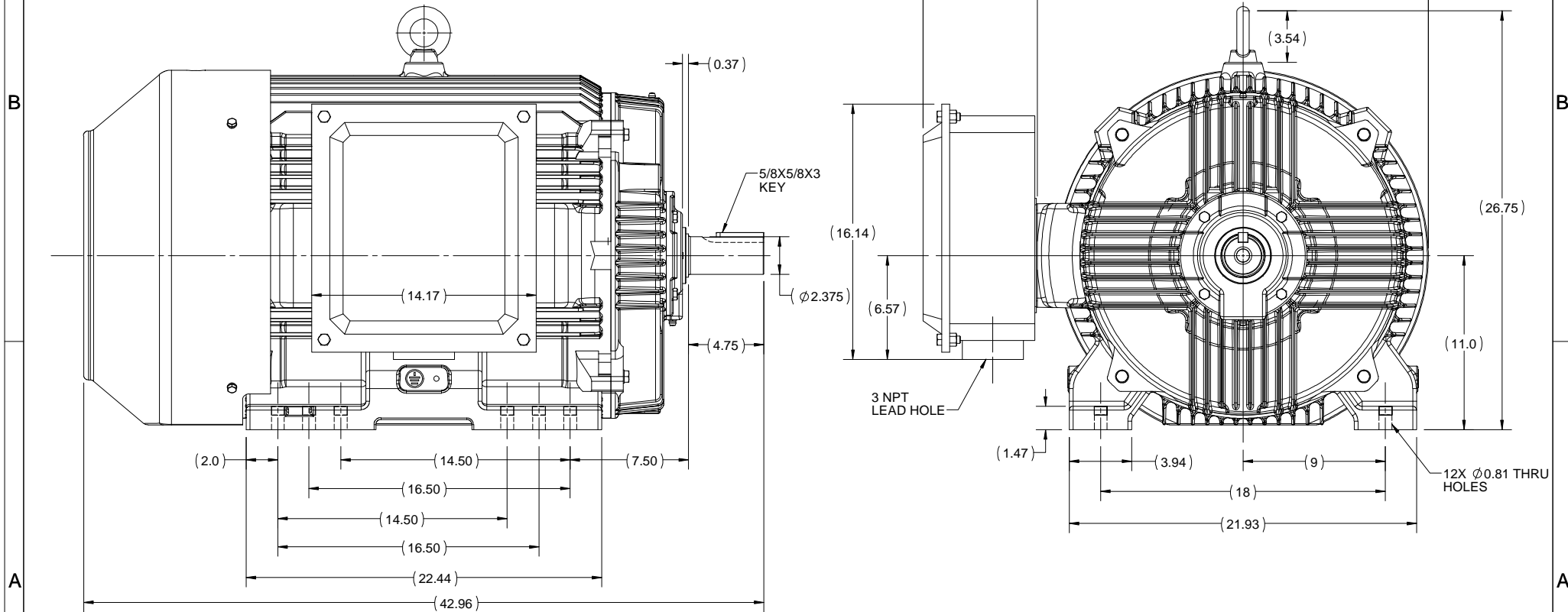
Output HP	150 Hp	Output KW	112.0 kW
Frequency	60 Hz	Voltage	460 V
Current	169.0 A	Speed	1790 rpm
Service Factor	1.15	Phase	3
Efficiency	95.8 %	Duty	Continuous
Insulation Class	F	Design Code	B
KVA Code	G	Frame	445TS
Enclosure	Totally Enclosed Fan Cooled	Overload Protector	No
Ambient Temperature	40 °C	Drive End Bearing Size	6319
Opp Drive End Bearing Size	6317	UL	Listed
CSA	Y	CE	Y
IP Code	55		

Technical Specifications


Electrical Type	Squirrel Cage Inverter Rated	Starting Method	Part Wdg Start Or Inverter
Poles	4	Rotation	Reversible
Mounting	Rigid base	Motor Orientation	Horizontal
Drive End Bearing	Ball	Opp Drive End Bearing	Ball
Frame Material	Cast Iron	Shaft Type	TS
Frame Length	23.62 in	Shaft Diameter	2.375 in
Shaft Extension	4.75 in	Assembly/Box Mounting	F1/F2 Capable
Outline Drawing	SS557008	Connection Diagram	EE7341C

This is an uncontrolled document once printed or downloaded and is subject to change without notice. Date Created: 07/02/2018

OUTLINE



DRAWING REVISION C	REVISION BY GNK	DATE 04/05/2018
ECO ECO-0143704	APPROVED BY SBD	DATE 04/05/2018
ECO DESCRIPTION DRAWING UPDATED		
<small>COPYRIGHT REGAL BELOIT AMERICA, INC. ALL RIGHTS RESERVED. PROPRIETARY AND CONFIDENTIAL INFORMATION - THIS DOCUMENT IS THE PROPERTY OF REGAL BELOIT AMERICA, INC. ("OWNER") AND CONTAINS OWNER'S PROPRIETARY INFORMATION. ANY PERSON, CORPORATION OR OTHER FIRM RECEIVING IT IS DEEMED, BY RECEIVING IT, TO AGREE THAT IT, AND/OR ANY PART OF IT, SHALL NOT BE DISCLOSED TO ANY PERSON, CORPORATION OR OTHER ENTITY, DUPLICATED, AND/OR USED, EXCEPT AS EXPRESSLY APPROVED IN WRITING IN ADVANCE BY OWNER. THIS DOCUMENT SHALL BE RETURNED TO OWNER UPON REQUEST. IT MAY BE SUBJECT TO CERTAIN RESTRICTIONS UNDER APPLICABLE EXPORT CONTROL LAWS AND REGULATIONS.</small>		

DRAWN BY NIV	 Regal Beloit America, Inc.
DATE 29/03/2015	
APPROVED BY SBD	DESCRIPTION OUTLINE 444/445TS FR-TEFC
DATE 29/03/2015	MATERIAL
REFERENCE	PROCESS/FINISH
THIRD ANGLE PROJECTION	SIZE B
	DRAWING NUMBER SS557008
	SHEET 1 OF 1

EE7341C

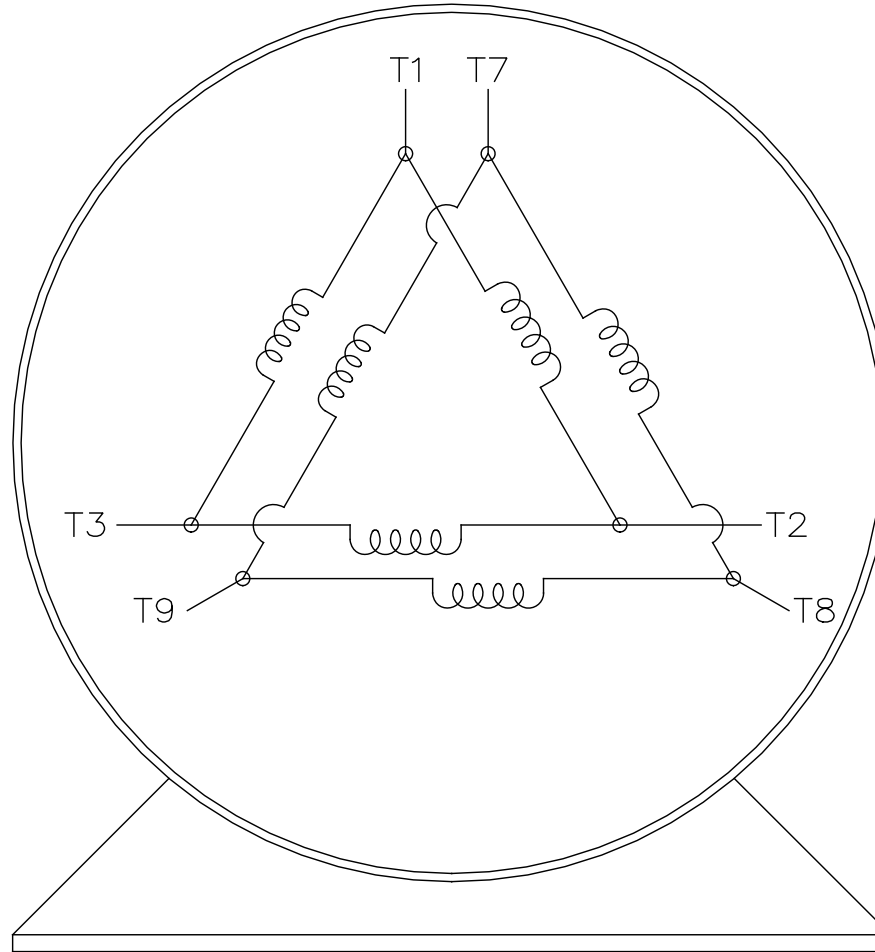
THREE PHASE – PART WINDING START
DELTA – 6 LEADS

START

- CONNECT T1 TO LINE 1
- CONNECT T2 TO LINE 2
- CONNECT T3 TO LINE 3
- T7–T8–T9 OPEN

RUN

- CONNECT T1&T7 TO LINE 1
- CONNECT T2&T8 TO LINE 2
- CONNECT T3&T9 TO LINE 3



VIEW OF TERMINAL END

		TOLERANCES UNLESS SPECIFIED		REGAL - BELOIT CORPORATION		DRAWN BLR 03-09-1998				
		DEC.	INCHES			CHK	ML	03-23-1998		
		.X	± -			APPD	GK	03-23-1998		
		.XX	± -			TITLE		SCALE	1=1	
			.XXX	± -	3Ø – 6 LEADS		REF			
D	RE-DRAWN WITH REGAL LOGO ECO-0110493	WGJ 09-30-2016	EMH	.XXXX	± -	MAT'L.	FMF			
NO.	REVISION	BY & DATE	CHK	ANG	± -	FINISH	PREV			
THIS DRAWING IN DESIGN AND DETAIL IS OUR PROPERTY AND MUST NOT BE USED EXCEPT IN CONNECTION WITH OUR WORK ALL RIGHTS OF DESIGN AND INVENTION ARE RESERVED THIS IS AN ELECTRONICALLY GENERATED DOCUMENT – DO NOT SCALE THIS PRINT						RFP	CAD FILE EE7341C	SIZE	DRAWING NO. PAGE OF	REV.
						DIST		A		



**P.O. BOX 8003
WAUSAU, WI 54401-8003
PH. 715-675-3311**

CERTIFICATION DATA SHEET

CUSTOMER PO #:
MODEL #: 445TSTFCD6036 AA
CUSTOMER PART #:
MOUNTING: F1/F2 CAPABLE

ORDER #: EE7341C
CONN. DIAGRAM: EE7341C
OUTLINE: SSS57008
WINDING #: HE32804011 1

TYPICAL MOTOR PERFORMANCE DATA

HP	KW	SYNC. RPM	F.L. RPM	FRAME	ENCLOSURE	KVA CODE	DESIGN	
150&125	112&93.0	1800	1790&1490	445TS	TEFC	G	B	
PH	Hz	VOLTS	AMPS	START TYPE	DUTY	INSL	S.F.	AMB°C
3	60/50	460&8380	169&169	PWS OR INVERTER	CONTINUOUS	F7	1.15/1.15	40

FULL LOAD EFF:	95.8&95.8	3/4 LOAD EFF:	95.8	1/2 LOAD EFF:	95.4	GTD. EFF	95.4	ELEC. TYPE
FULL LOAD PF:	87&87.5	3/4 LOAD PF:	84.5	1/2 LOAD PF:	77	SQ CAGE INV RATED		

F.L. TORQUE	LOCKED ROTOR AMPS	L.R. TORQUE	B.D. TORQUE	F.L. RISE°C
440 LB-FT	1085	926 LB-FT	210 %	1232 LB-FT
				280 %
				55

SOUND PRESSURE @ 3 FT.	SOUND POWER	ROTOR WK^2	MAX. WK^2	SAFE STALL TIME	STARTS / HOUR	APPROX. MOTOR WGT
66 DBA	76 DBA	80 LB-FT^2	1000 LB-FT^2	25 SEC.	2	3025 LBS.

***** SUPPLEMENTAL INFORMATION *****

DE BRACKET TYPE	ODE BRACKET TYPE	MOUNT TYPE	ORIENTATION	SEVERE DUTY	HAZARDOUS LOCATION	DRIP COVER	SCREENS	PAINT
STANDARD	STANDARD	RIGID	HORIZONTAL	FALSE	DIVISION 2 T2B	FALSE	NONE	BLUE (ENAMEL)

BEARINGS		GREASE	SHAFT TYPE	SPECIAL DE	SPECIAL ODE	SHAFT MATERIAL	FRAME MATERIAL
DE	ODE						
BALL	BALL	POLYREX EM	TS	NONE	NONE	1045 HOT ROLLED (C-204)	CAST IRON
6319	6317						

THERMO-PROTECTORS				THERMISTORS			SPACE HEATERS	
THERMOSTATS	PROTECTORS	WDG RTDS	BRG RTDS	NONE	FALSE	NONE	NONE	VOLTS
NONE	NOT	NONE	NONE					

INVERTER
TORQUE: CONSTANT 20:1/VARIABLE 20:1
INV. HP SPEED RANGE: NONE

ENCODER: NONE
 NONE NONE
 NONE NONE PPR

BRAKE: NONE NONE
 NONE P/N NONE
 NONE NONE
 NONE FT-LB NONE V NONE HZ

PREPARED BY: Fareeda Dudekula
DATE: 05/04/2018 07:40:38 AM
FORM 3531 REV.3 02/07/99
 ** Subject to change without notice.

MARATHON ELECTRIC CORPORATION

TYPICAL PERFORMANCE CURVE for AC MOTOR

Customer

Curve at

460

Volts

HP 150&125

PHASE 3

Model No 445TSTFC6036

60

HZ

VOLTS 460&380

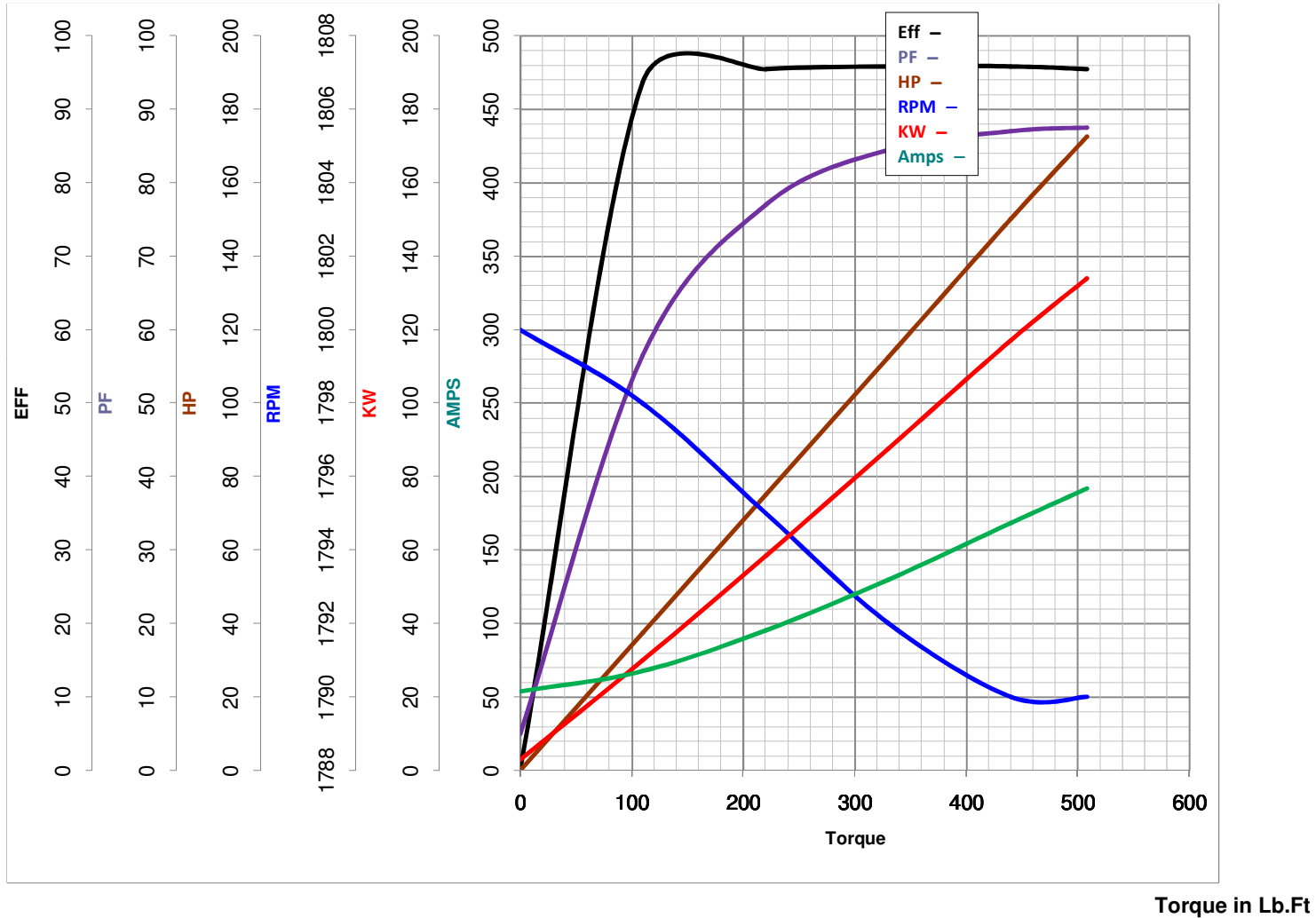
Catalog No GT1065

150

HP

HZ 60&50

RPM 1790&1490



FL TORQUE 440 Lb.Ft
 BD TORQUE 1232 Lb.Ft
 LR TORQUE 926 Lb.Ft

FL AMPS 169
 PU TORQUE 780.0 Lb.Ft
 LR AMPS 1085

WINDING HE32804011-1 Prepared By FAREEDA

Date 5/4/2018