

4

3

Uncontrolled Copy

2

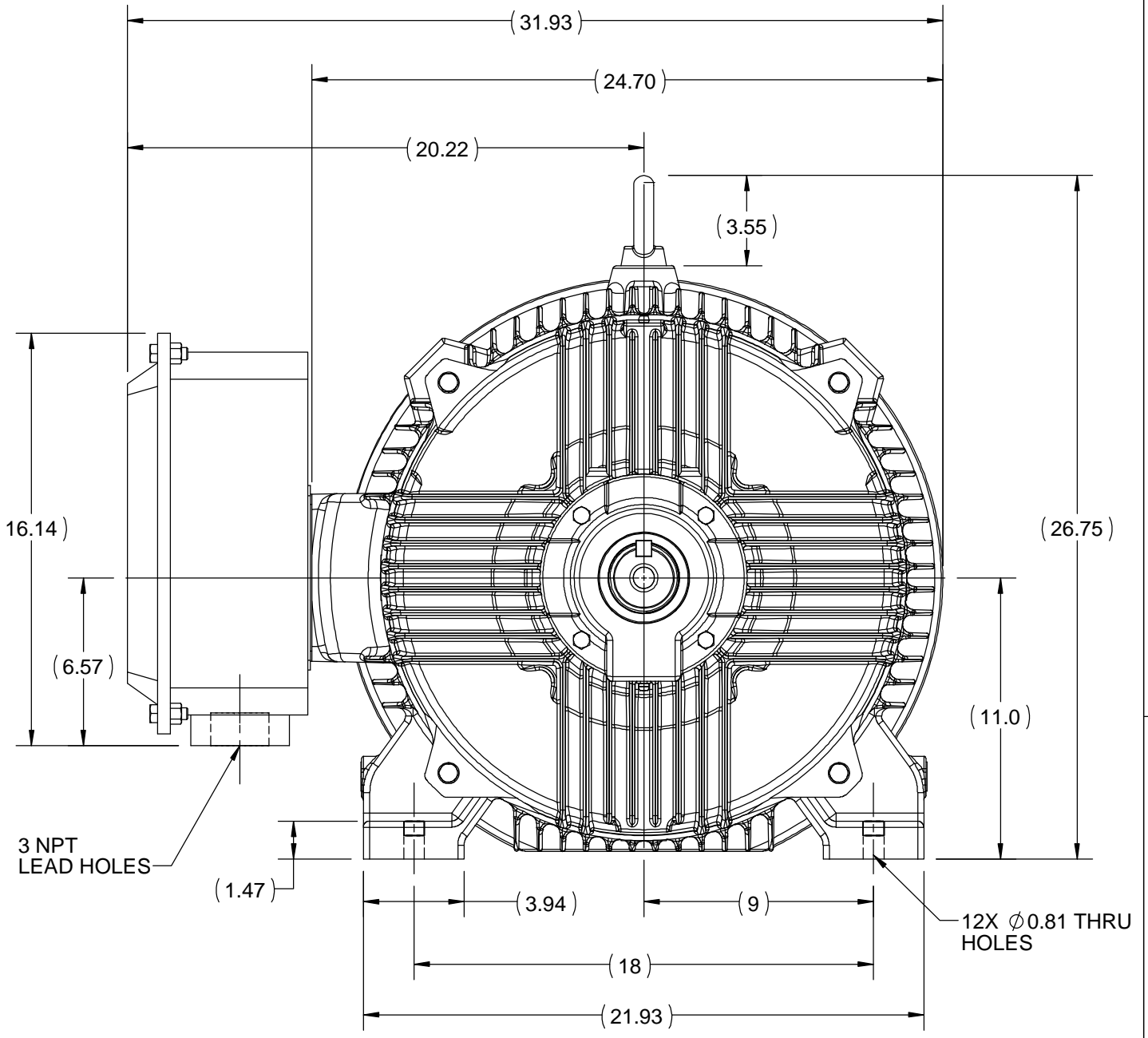
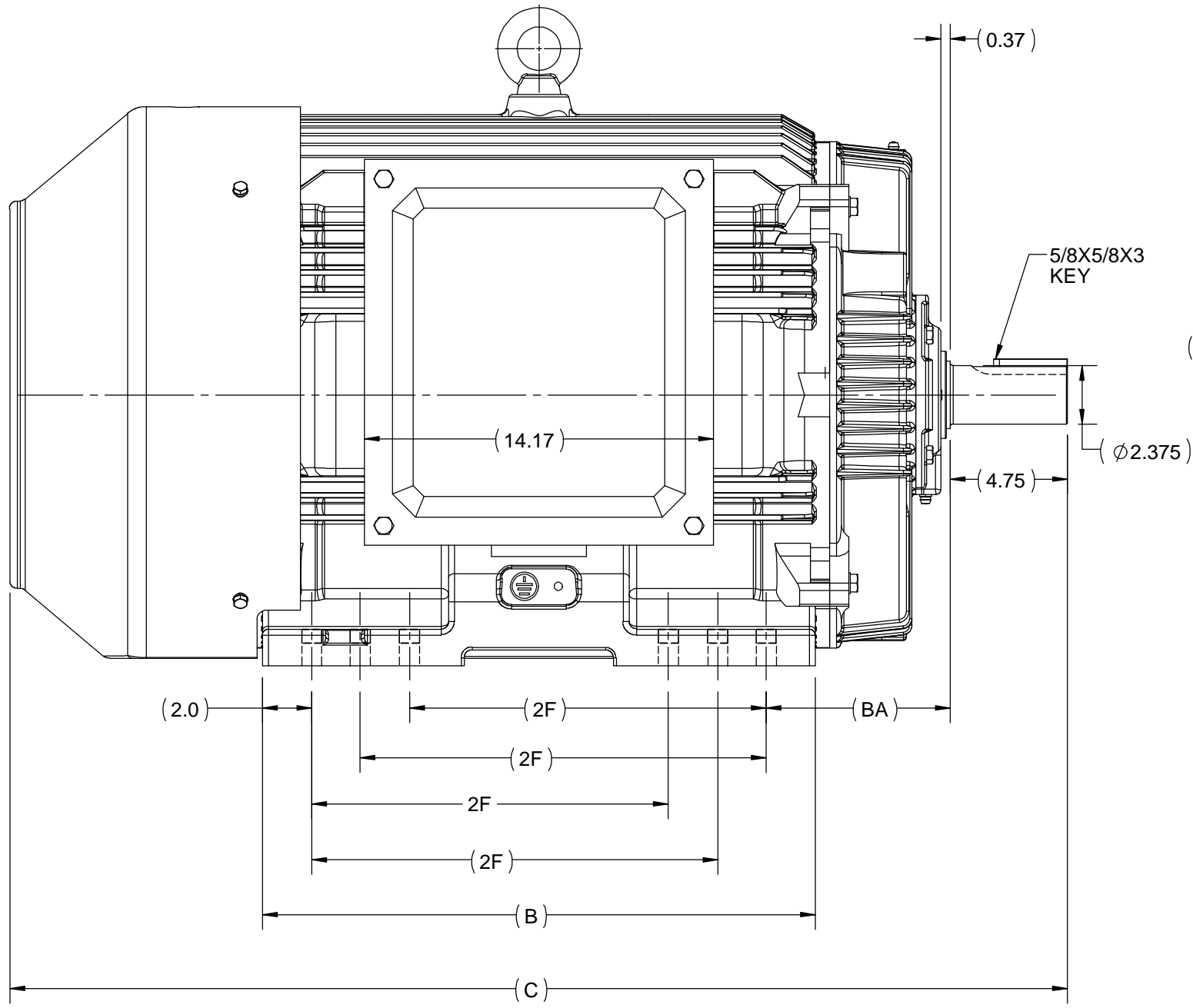
1

B

B

A

A



445TS	22.44	42.96	16.50	12	7.50
444TS	22.44	42.96	14.50	12	7.50
FRAME	B	C	2F	N	BA

DRAWING REVISION D	REVISION BY S.MUDDA	DATE 27/8/2018
ECO ECO-0151027	APPROVED BY JAY	DATE 27/8/2018
ECO DESCRIPTION OUTLINE UPDATED AS PER NEW 3D STRUCTURING		
<small>COPYRIGHT REGAL BELOIT AMERICA, INC. ALL RIGHTS RESERVED. PROPRIETARY AND CONFIDENTIAL INFORMATION - THIS DOCUMENT IS THE PROPERTY OF REGAL BELOIT AMERICA, INC. ("OWNER") AND CONTAINS OWNER'S PROPRIETARY INFORMATION. ANY PERSON, CORPORATION OR OTHER FIRM RECEIVING IT IS DEEMED, BY RECEIVING IT, TO AGREE THAT IT, AND/OR ANY PART OF IT, SHALL NOT BE DISCLOSED TO ANY PERSON, CORPORATION OR OTHER ENTITY, DUPLICATED, AND/OR USED, EXCEPT AS EXPRESSLY APPROVED IN WRITING IN ADVANCE BY OWNER. THIS DOCUMENT SHALL BE RETURNED TO OWNER UPON REQUEST. IT MAY BE SUBJECT TO CERTAIN RESTRICTIONS UNDER APPLICABLE EXPORT CONTROL LAWS AND REGULATIONS.</small>		

DRAWN BY NIV
DATE 29/03/2015
APPROVED BY SBD
DATE 29/03/2015
REFERENCE
THIRD ANGLE PROJECTION

REGAL ™ Regal Beloit America, Inc.	
DESCRIPTION	OUTLINE 444/445TS FR-TEFC
MATERIAL	PROCESS/FINISH
SIZE B	DRAWING NUMBER SS557008
SHEET 1 OF 1	

4

3

2

1