

# PRODUCT INFORMATION PACKET

**marathon**<sup>®</sup>  
Motors

Model No: 215TTDBD6037  
Catalog No: GT2419A  
10,1800,DP,215JP,3/60/230/460  
JP



Regal and Marathon are trademarks of Regal Beloit Corporation or one of its affiliated companies.  
©2018 Regal Beloit Corporation, All Rights Reserved. MC017097E

**REGAL**<sup>®</sup>



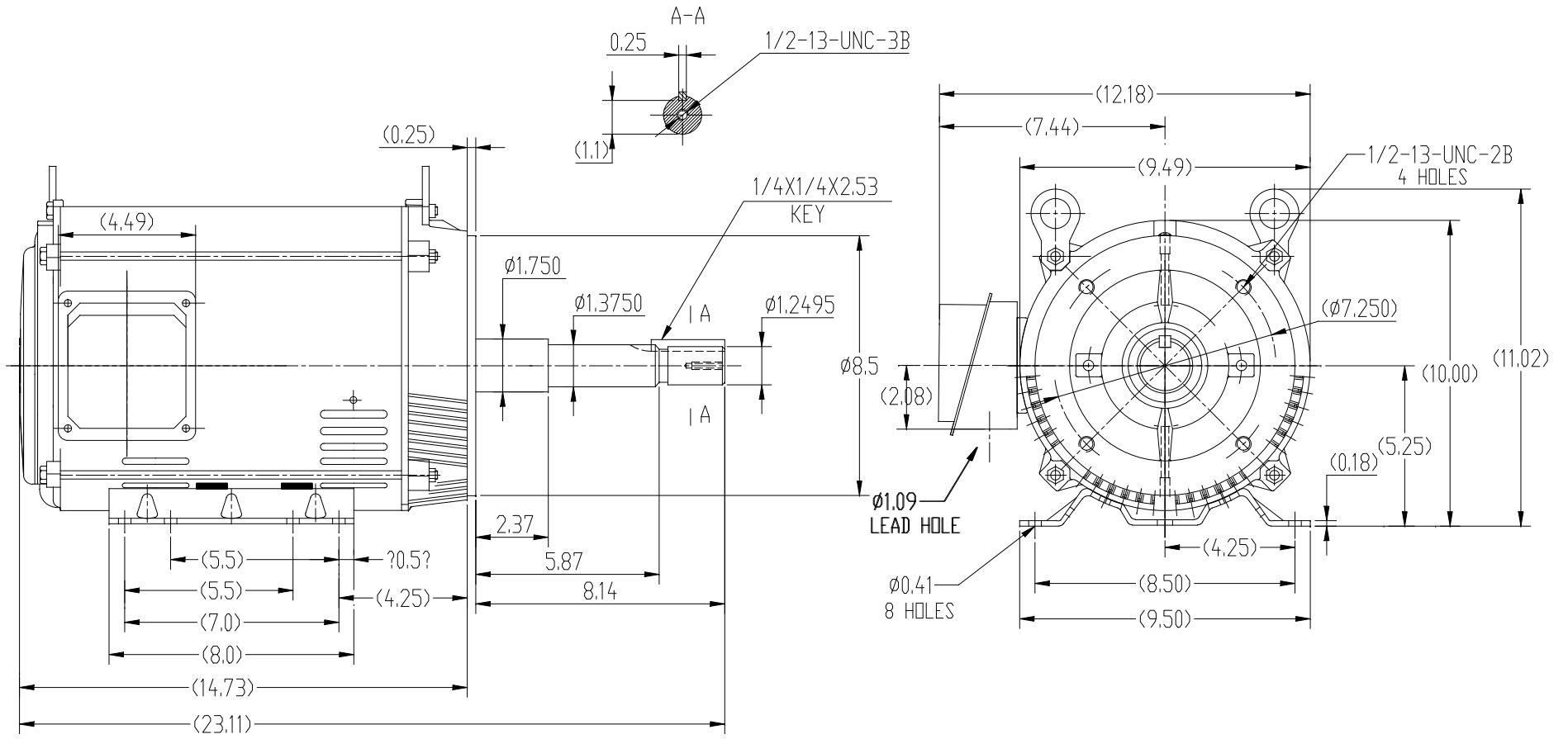
### Nameplate Specifications


Output HP	<b>10 Hp</b>	Output KW	<b>7.5 kW</b>
Frequency	<b>60 Hz</b>	Voltage	<b>230/460 V</b>
Current	<b>25.4/12.7 A</b>	Speed	<b>1768 rpm</b>
Service Factor	<b>1.15</b>	Phase	<b>3</b>
Efficiency	<b>92.4 %</b>	Duty	<b>Continuous</b>
Insulation Class	<b>F</b>	Design Code	<b>B</b>
KVA Code	<b>H</b>	Frame	<b>213TV</b>
Enclosure	<b>Drip Proof</b>	Overload Protector	<b>No</b>
Ambient Temperature	<b>40 °C</b>	Drive End Bearing Size	<b>6307</b>
Opp Drive End Bearing Size	<b>6202</b>	UL	<b>Recognized</b>
CSA	<b>Y</b>	CE	<b>Y</b>
IP Code	<b>22</b>		

### Technical Specifications

Electrical Type	<b>Squirrel Cage Inverter Rated</b>	Starting Method	<b>Line Or Inverter</b>
Poles	<b>4</b>	Rotation	<b>Reversible</b>
Mounting	<b>Rigid base</b>	Motor Orientation	<b>Horizontal Or Shaft Down</b>
Drive End Bearing	<b>Ball</b>	Opp Drive End Bearing	<b>Ball</b>
Frame Material	<b>Rolled Steel</b>	Shaft Type	<b>T</b>
Frame Length	<b>11.15 in</b>	Shaft Diameter	<b>1.249 in</b>
Shaft Extension	<b>8.39 in</b>	Assembly/Box Mounting	<b>F1/F2 Capable</b>
Outline Drawing	<b>SS620793</b>	Connection Diagram	<b>EE7308</b>

This is an uncontrolled document once printed or downloaded and is subject to change without notice. Date Created: 07/02/2018



		TOLERANCES UNLESS SPECIFIED		 <b>REGAL-BELOIT CORPORATION</b>	DRAWN
		DEC.	INCHES		CHK WANG YAN 4-1-2017
		.X	±.1		APPD
		.XX	±.03	TITLE	SCALE 1=5
		.XXX	±.005	ODP-213/215JP FR-ROLLED STEEL	REF
1	UPDATED KEY DETAILS	YZ	XXXX ±.0005	MAT'L.	FMF WUXI
NO.	REVISION	BY & DATE	CHK	ANG	FINISH
THIS DRAWING IN DESIGN AND DETAIL IS OUR PROPERTY AND MUST NOT BE USED EXCEPT IN CONNECTION WITH OUR WORK ALL RIGHTS OF DESIGN AND INVENTION ARE RESERVED THIS IS AN ELECTRONICALLY GENERATED DOCUMENT - DO NOT SCALE THIS PRINT			RFP	CAD FILE	SS620793
				SIZE	DRAWING NO.
				B	SS620793
				DIST	REV. B

EE7308

THREE PHASE  
DUAL VOLTAGE MOTOR



VIEW OF TERMINAL END

REF.  
WINDING DIAGRAM

T8Y, T2Y, T2BL, T4BX, T2EC, T2G  
T6BZ, T2B, T6BL, T4AV, T6B, T4B

OPTIONAL CORD  
CONNECTION

L1 — WHITE  
L2 — RED  
L3 — BLACK

NO.	REVISION	BY & DATE	CHK	ANG	TOLERANCES UNLESS SPECIFIED		FINISH	DRAWN RM 11/20/1990				
					DEC.	INCHES						
5	CHG TO REGAL LOGO	SL 09/10/2015	AB					CHK ML 11/21/1990				
4	REVISED IEC NOTATIONS	MSG 11/15/2011	CMN	.X	±.1			APPD SAS 04/24/2003				
3	ADDED IEC NOTATIONS... (U1), (V1) ETC. MU95194	MSG 5/10/2010	MJS	.XX	±.02			SCALE 1=1				
2	ADDED THE OPTIONAL CORD CONNECTION MU46318	RDH 04/24/2003	DRS	.XXX	±.005			REF				
1	REDRAWN	RM 11/20/1990		.XXXX	±.0005			FMF				
					±7'30"			PREV				
THIS DRAWING IN DESIGN AND DETAIL IS OUR PROPERTY AND MUST NOT BE USED EXCEPT IN CONNECTION WITH OUR WORK ALL RIGHTS OF DESIGN AND INVENTION ARE RESERVED THIS IS AN ELECTRONICALLY GENERATED DOCUMENT - DO NOT SCALE THIS PRINT							RFP	CAD FILE ee7308	SIZE A	DRAWING NO. EE7308	PAGE OF 5	REV. 5
							DIST WP					



TITLE CONNECTION DIAGRAM  
3Ø - DUAL VOLTAGE MOTOR



**P.O. BOX 8003  
WAUSAU, WI 54401-8003  
PH. 715-675-3311**

**CERTIFICATION DATA SHEET**

**CUSTOMER:** CUSTOMER  
**ORDER #:** PO #:  
**CONN. DIAGRAM:** EE7308 **MODEL #:** 215TTDBD6037 A  
**OUTLINE:** SS620793 **CUSTOMER PART #:**  
**WINDING #:** HE31324016 2 **MOUNTING:** F1/F2 CAPABLE

**TYPICAL MOTOR PERFORMANCE DATA**

HP	KW	SYNC. RPM	F.L. RPM	FRAME	ENCLOSURE	KVA CODE	DESIGN	
10&7 1/2	7.50&5.60	1800	1768&1470	213TV	DP	H	B	
PH	Hz	VOLTS	AMPS	START TYPE	DUTY	INSL	S.F.	AMB-C
3	60/50	230/460&190/380	25.4/12.7&23.4/11.7	LINE OR INVERTER	CONTINUOUS	F3	1.15/1.15	40

<b>FULL LOAD EFF:</b>	92.4&91	<b>3/4 LOAD EFF:</b>	91.9	<b>1/2 LOAD EFF:</b>	90.9	<b>GTD. EFF</b>	91	<b>ELEC. TYPE</b>
<b>FULL LOAD PF:</b>	80.1&80	<b>3/4 LOAD PF:</b>	75.8	<b>1/2 LOAD PF:</b>	65.1	<b>SQ CAGE INV RATED</b>		

<b>F.L. TORQUE</b>	<b>LOCKED ROTOR AMPS</b>	<b>L.R. TORQUE</b>	<b>B.D. TORQUE</b>	<b>F.L. RISE°C</b>
29.8 LB-FT	158 / 79	61 LB-FT	205 %	73 LB-FT 246 %
50				

<b>SOUND PRESSURE @ 3 FT.</b>	<b>SOUND POWER</b>	<b>ROTOR WK^2</b>	<b>MAX. WK^2</b>	<b>SAFE STALL TIME</b>	<b>STARTS / HOUR</b>	<b>APPROX. MOTOR WGT</b>
47 DBA	57 DBA	1 LB-FT^2	79 LB-FT^2	15 SEC.	2	140 LBS.

**\*\*\* SUPPLEMENTAL INFORMATION \*\*\***

DE BRACKET TYPE	ODE BRACKET TYPE	MOUNT TYPE	ORIENTATION	SEVERE DUTY	HAZARDOUS LOCATION	DRIP COVER	SCREENS	PAINT
STANDARD	STANDARD	RIGID	HORIZONTAL OR SHAFT DOWN	FALSE	NONE	FALSE	RODENT	BLUE (ENAMEL)

BEARINGS		GREASE	SHAFT TYPE	SPECIAL DE	SPECIAL ODE	SHAFT MATERIAL	FRAME MATERIAL
DE	ODE						
BALL	BALL	POLYREX EM	T	NONE	NONE	1045 HOT ROLLED (C-204)	ROLLED STEEL
6307	6202						

THERMO-PROTECTORS				THERMISTORS	CONTROL	SPACE HEATERS
THERMOSTATS	PROTECTORS	WDG RTDS	BRG RTDS	NONE	FALSE	NONE
NONE	NOT	NONE	NONE	NONE <td>FALSE <td>NONE </td></td>	FALSE <td>NONE </td>	NONE

**\***

**INVERTER**  
**TORQUE:** CONSTANT 20:1/VARIABLE 20:1

**INV. HP SPEED RANGE:** NONE

<b>ENCODER:</b>	NONE
NONE	NONE
NONE	PPR

<b>BRAKE:</b>	NONE	NONE
NONE	P/N	NONE
NONE	NONE	NONE
NONE	FT-LB	NONE V NONE
NONE	FT-LB	NONE V NONE
NONE	FT-LB	NONE V NONE
NONE	FT-LB	NONE V NONE
NONE	FT-LB	NONE V NONE
NONE	FT-LB	NONE V NONE

**S**

\*

**PREPARED BY:** Anusha Muthyala  
**DATE:** 05/04/2018 02:14:53 AM  
**FORM 3531 REV.3 02/07/99**  
**\*\* Subject to change without notice.**

**MARATHON ELECTRIC CORPORATION**

TYPICAL PERFORMANCE CURVE for AC MOTOR

Customer

Curve at

460

Volts

HP 10&7.5

PHASE 3

Model No 215TTDBD6037

60

HZ

VOLTS 230/460&190/380

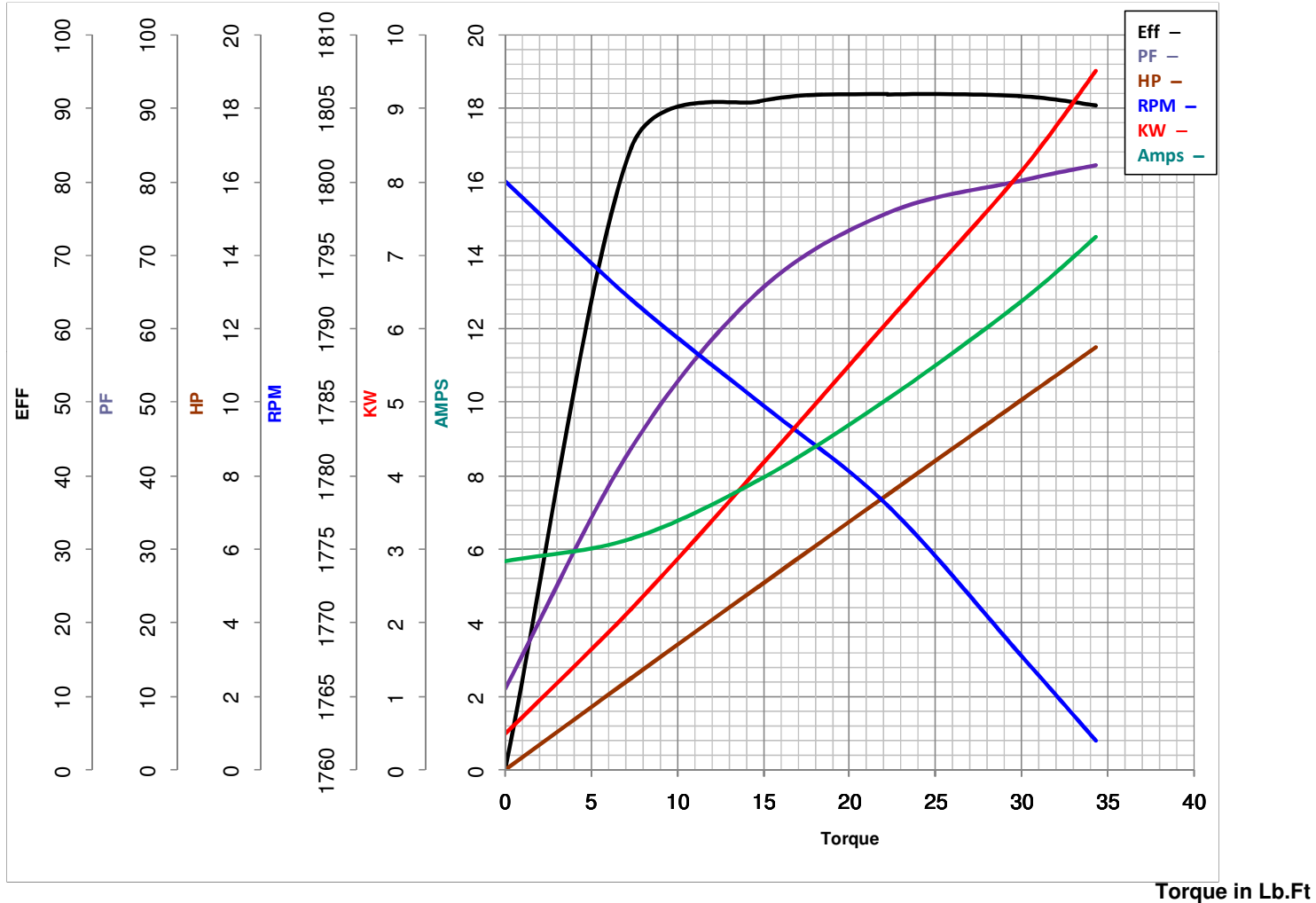
10

HP

Catalog No GT2419A

HZ 60&50

RPM 1768&1470



Torque in Lb.Ft

FL TORQUE 29.8 Lb.Ft  
 BD TORQUE 73.0 Lb.Ft  
 LR TORQUE 61 Lb.Ft

FL AMPS 25.4/12.7  
 PU TORQUE 52.0 Lb.Ft  
 LR AMPS 79

WINDING HE31324016-2 Prepared By ANUSHA M

Date 5/4/2018