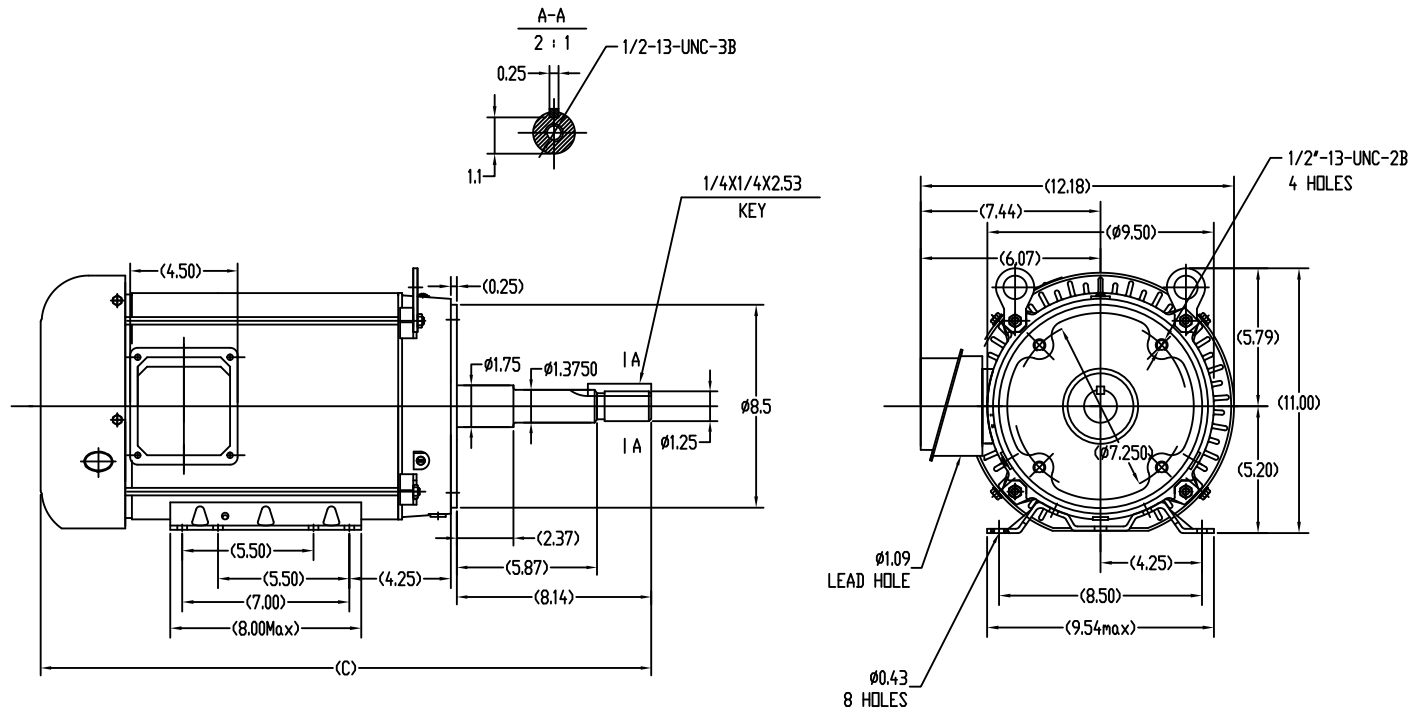


SS620827



213TC	24.01
215TC	25.78
FRAME	C

		TOLERANCES UNLESS SPECIFIED		DRAWN ZYH 4/13/2017	
		DEC.	INCHES	CHK	
		.X	0.1	APPD	
		.XX	0.03	SCALE 1=4	
		.XXX	0.005	REF	
1	UPDATED KEY DETAILS	XIAOWEI ZHU	29/05/2017	YZ	300X 4.005
NO.	REVISION	BY	DATE	CHK	ANG
THIS DRAWING IN DESIGN AND DETAIL IS OUR PROPERTY AND MUST NOT BE USED EXCEPT IN CONNECTION WITH OUR WORK. ALL RIGHTS OF DESIGN AND INVENTION ARE RESERVED. THIS IS AN ELECTRONICALLY GENERATED DOCUMENT - DO NOT SCALE THIS PRINT.		ANG	1/2	FINISH	RFP
		CAD FILE		SS620827	SIZE
		DRAWING NO.		B	SS620827
		REV.		B	B