

PRODUCT INFORMATION PACKET

marathon[®]
Motors

Model No: 213TTFBD6037
Catalog No: GT3416A
7 1/2,1800,TEFC,213JP,3/60/230/460
JP



Regal and Marathon are trademarks of Regal Beloit Corporation or one of its affiliated companies.
©2018 Regal Beloit Corporation, All Rights Reserved. MC017097E

REGAL[®]

Nameplate Specifications

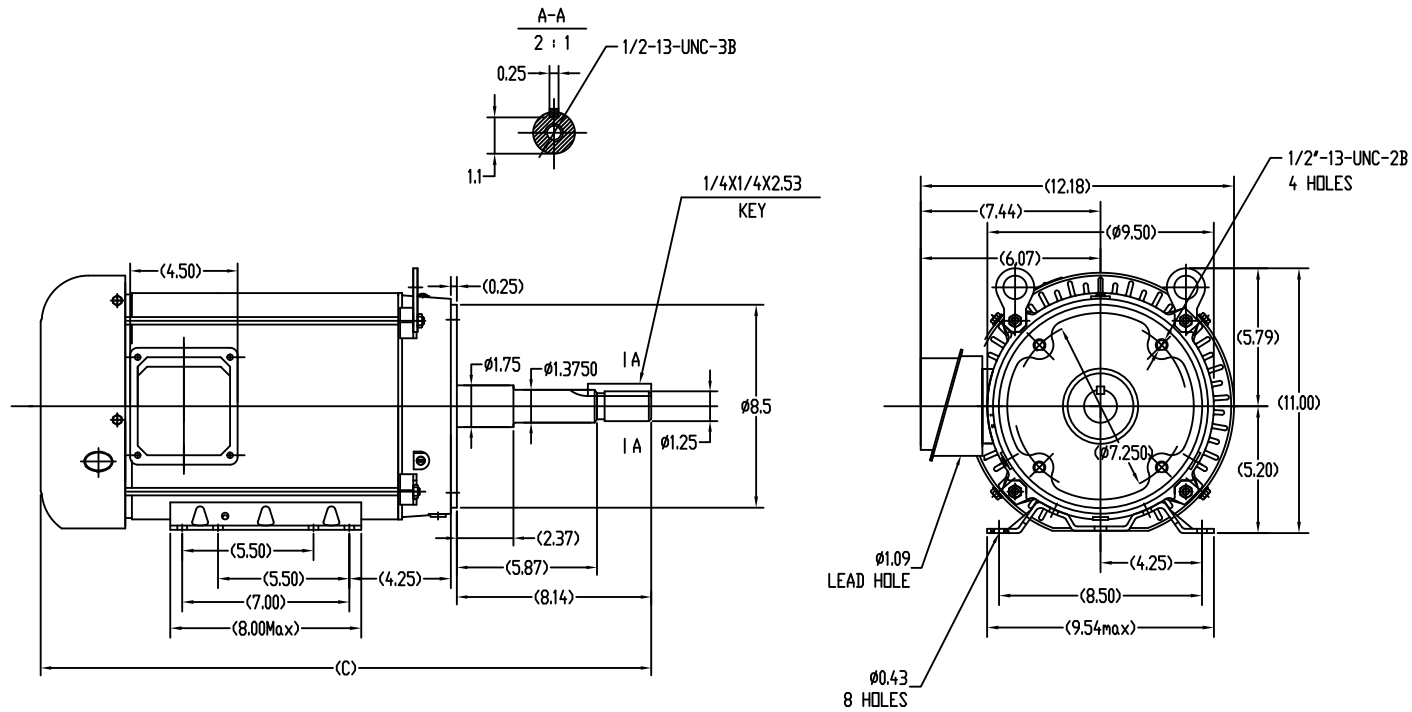
Output HP	7.50 Hp	Output KW	5.6 kW
Frequency	60 Hz	Voltage	230/460 V
Current	19.0/9.5 A	Speed	1768 rpm
Service Factor	1.15	Phase	3
Efficiency	93.3 %	Duty	Continuous
Insulation Class	F	Design Code	B
KVA Code	H	Frame	213JP
Enclosure	Totally Enclosed Fan Cooled	Overload Protector	No
Ambient Temperature	40 °C	Drive End Bearing Size	6309
Opp Drive End Bearing Size	6206	UL	Recognized
CSA	Y	CE	Y
IP Code	43		

Technical Specifications

Electrical Type	Squirrel Cage Inverter Rated	Starting Method	Line Or Inverter
Poles	4	Rotation	Reversible
Mounting	Rigid base	Motor Orientation	Horizontal
Drive End Bearing	Ball	Opp Drive End Bearing	Ball
Frame Material	Rolled Steel	Shaft Type	JP
Frame Length	9.65 in	Shaft Diameter	1.25 in
Shaft Extension	8.39 in	Assembly/Box Mounting	F1/F2 Capable
Outline Drawing	SS620827	Connection Diagram	EE7308

This is an uncontrolled document once printed or downloaded and is subject to change without notice. Date Created: 07/02/2018

SS620827

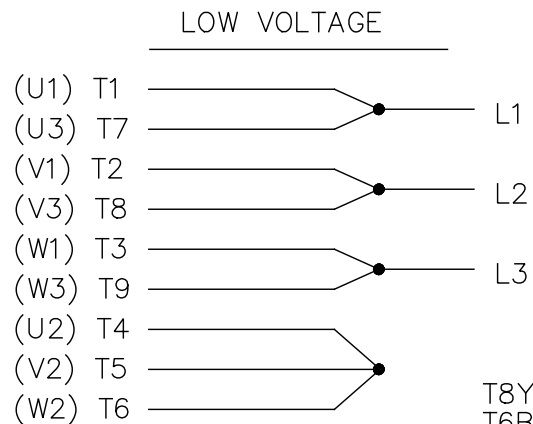
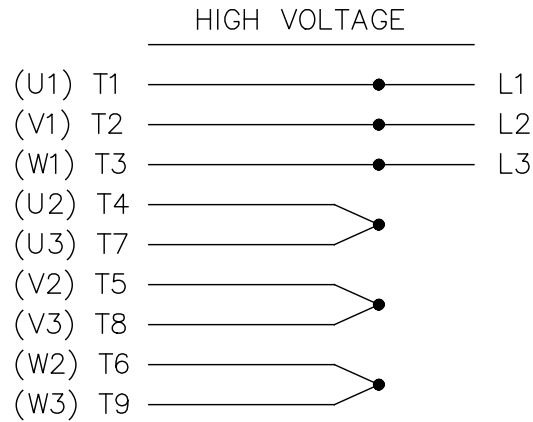


213TC	24.01
215TC	25.78
FRAME	C

		TOLERANCES UNLESS SPECIFIED		DRAWN ZYH 4/13/2017	
		DEC.	INCHES	CHK	
		.X	±.1	APPD	
		.XX	±.03	SCALE 1=4	
		.XXX	±.005	REF	
1	UPDATED KEY DETAILS	XIAOWEI ZHU	29/05/2017	YZ	300X ±.005 MAT'L
NO.	REVISION	BY	DATE	CHK	ANG ±1/2 FINISH
THIS DRAWING IN DESIGN AND DETAIL IS OUR PROPERTY AND MUST NOT BE USED EXCEPT IN CONNECTION WITH OUR WORK. ALL RIGHTS OF DESIGN AND INVENTION ARE RESERVED. THIS IS AN ELECTRONICALLY GENERATED DOCUMENT - DO NOT SCALE THIS PRINT.		RFP	CAD FILE	SS620827	SIZE DRAWING NO.
		DIST		B	SS620827
					REV. B

EE7308

THREE PHASE
DUAL VOLTAGE MOTOR



VIEW OF TERMINAL END

REF.
WINDING DIAGRAM

T8Y, T2Y, T2BL, T4BX, T2EC, T2G
T6BZ, T2B, T6BL, T4AV, T6B, T4B

OPTIONAL CORD
CONNECTION

L1 — WHITE
L2 — RED
L3 — BLACK

NO.		REVISION		BY & DATE		CHK		ANG		FINISH		PREV	
5	CHG TO REGAL LOGO	SL	09/10/2015	AB									
4	REVISED IEC NOTATIONS	MSG	11/15/2011	CMN	.X	±.1							
3	ADDED IEC NOTATIONS... (U1), (V1) ETC. MU95194	MSG	5/10/2010	MJS	.XX	±.02							
2	ADDED THE OPTIONAL CORD CONNECTION MU46318	RDH	04/24/2003	DRS	.XXX	±.005							
1	REDRAWN	RM	11/20/1990		.XXXX	±.0005							
THIS DRAWING IN DESIGN AND DETAIL IS OUR PROPERTY AND MUST NOT BE USED EXCEPT IN CONNECTION WITH OUR WORK ALL RIGHTS OF DESIGN AND INVENTION ARE RESERVED THIS IS AN ELECTRONICALLY GENERATED DOCUMENT - DO NOT SCALE THIS PRINT		RFP		CAD FILE	ee7308		SIZE	DRAWING NO.		PAGE	OF	REV.	
		DIST	WP	A	EE7308							5	

REGAL™ Regal Beloit America, Inc.

TOLERANCES UNLESS SPECIFIED

DEC. INCHES

DRAWN RM 11/20/1990
CHK ML 11/21/1990
APPD SAS 04/24/2003

TITLE CONNECTION DIAGRAM
3Ø - DUAL VOLTAGE MOTOR

SCALE 1=1
REF
FMF
PREV



**P.O. BOX 8003
WAUSAU, WI 54401-8003
PH. 715-675-3311**

CERTIFICATION DATA SHEET

CUSTOMER: CUSTOMER PO #:
ORDER #: MODEL #: 213TTFBD6037 AA
CONN. DIAGRAM: EE7308 CUSTOMER PART #:
OUTLINE: SS620827 MOUNTING: F1/F2 CAPABLE
WINDING #: HE31324012 2

TYPICAL MOTOR PERFORMANCE DATA

HP	KW	SYNC. RPM	F.L. RPM	FRAME	ENCLOSURE	KVA CODE	DESIGN	
7 1/285	5.6083.70	1800	1768&1475	213JP	TEFC	H	B	
PH	Hz	VOLTS	AMPS	START TYPE	DUTY	INSL	S.F.	AMB °C
3	60/50	230/460&190/380	19/9.5&16/8	LINE OR INVERTER	CONTINUOUS	F7	1.15/1.15	40

FULL LOAD EFF:	93.3&91	3/4 LOAD EFF:	93	1/2 LOAD EFF:	90	GTD. EFF	91	ELEC. TYPE
FULL LOAD PF:	79.3&76.5	3/4 LOAD PF:	73.4	1/2 LOAD PF:	63.8	SQ CAGE INV RATED		
F.L. TORQUE	LOCKED ROTOR AMPS	L.R. TORQUE	B.D. TORQUE	F.L. RISE°C				
22.3 LB-FT	124 / 62	45 LB-FT	202 %	59 LB-FT	265 %	40		

SOUND PRESSURE @ 3 FT.	SOUND POWER	ROTOR WK^2	MAX. WK^2	SAFE STALL TIME	STARTS / HOUR	APPROX. MOTOR WGT
62 DBA	72 DBA	0.95 LB-FT^2	75 LB-FT^2	25 SEC.	2	175 LBS.

***** SUPPLEMENTAL INFORMATION *****

DE BRACKET TYPE	ODE BRACKET TYPE	MOUNT TYPE	ORIENTATION	SEVERE DUTY	HAZARDOUS LOCATION	DRIP COVER	SCREENS	PAINT
C-FACE	STANDARD	RIGID	HORIZONTAL	FALSE	NONE	FALSE	NONE	BLUE (ENAMEL)
BEARINGS DE ODE	GREASE	SHAFT TYPE	SPECIAL DE	SPECIAL ODE	SHAFT MATERIAL	FRAME MATERIAL		
BALL BALL 6309 6206	POLYREX EM	JP	NONE	NONE	1045 HOT ROLLED (C-204)	ROLLED STEEL		

THERMO-PROTECTORS				THERMISTORS			SPACE HEATERS	
THERMOSTATS	PROTECTORS	WDG RTDS	BRG RTDS	NONE	FALSE	NONE	NONE	VOLTS
NONE	NOT	NONE	NONE					

INVERTER	TORQUE: CONSTANT 20:1/VARIABLE 20:1
INV. HP SPEED RANGE:	NONE
ENCODER:	NONE
O	NONE
T	NONE
E	PPR
S	NONE
BRAKE:	NONE
	P/N NONE
	NONE
	NONE
	FT-LB NONE V NONE HZ

PREPARED BY: Fareeda Dudekula
DATE: 05/04/2018 08:00:46 AM
FORM 3531 REV.3 02/07/99
 ** Subject to change without notice.

MARATHON ELECTRIC CORPORATION

TYPICAL PERFORMANCE CURVE for AC MOTOR

Customer

Curve at

460

Volts

HP 7.5&5

PHASE 3

Model No 213TTFBD6037

60

HZ

VOLTS 230/460&190/380

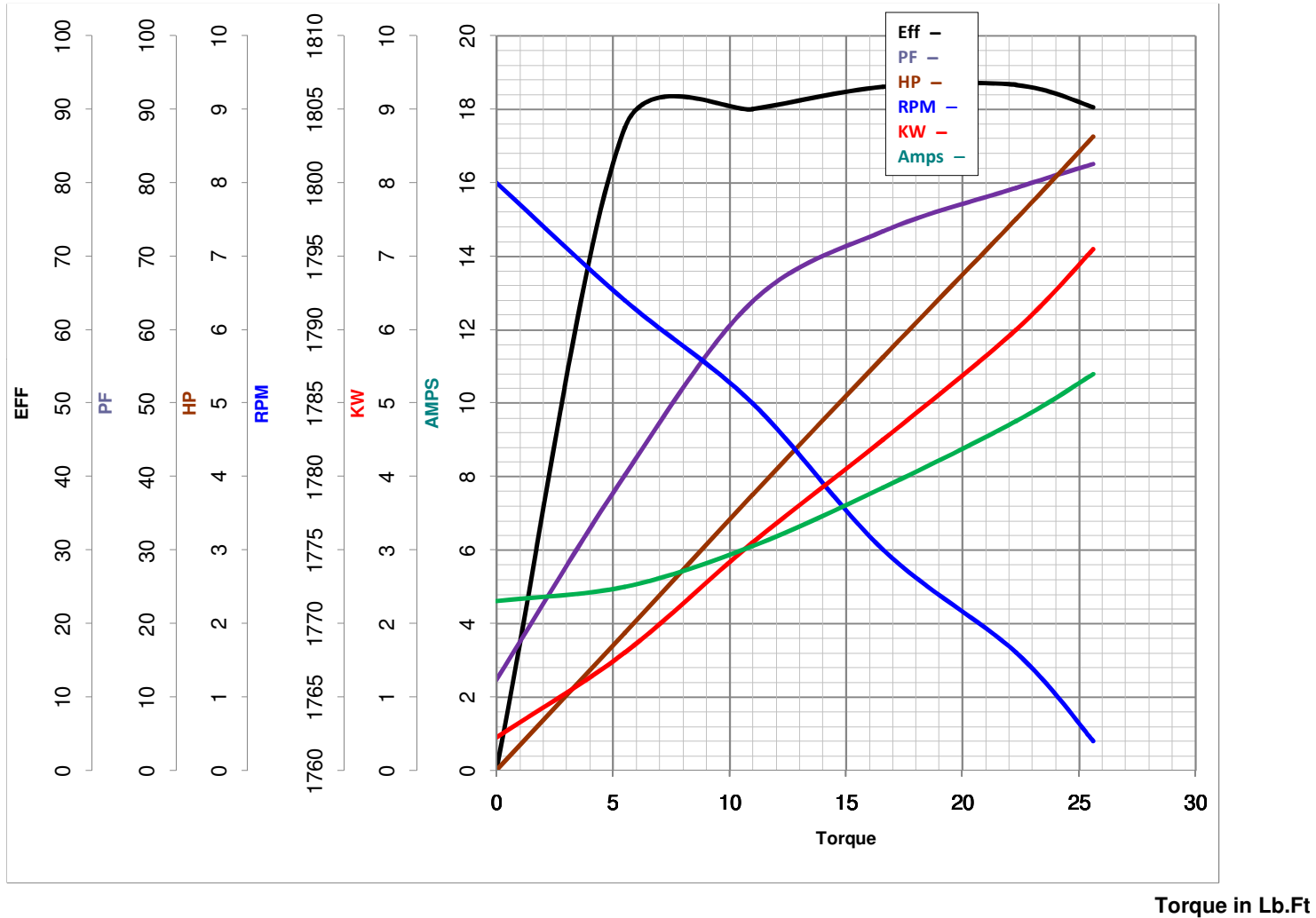
7.5

HP

Catalog No GT3416A

HZ 60&50

RPM 1768&1475



FL TORQUE 22.3 Lb.Ft
 BD TORQUE 59.0 Lb.Ft
 LR TORQUE 45 Lb.Ft

FL AMPS 19/9.5
 PU TORQUE 38.0 Lb.Ft
 LR AMPS 62

WINDING HE31324012-2 Prepared By FAREEDA

Date 5/4/2018