

PRODUCT INFORMATION PACKET

Model No: 056T34F15593
Catalog No: K725A
3.3600.TEFC,56HC,3/60/575
Totally Enclosed Fan Cooled (TEFC)



Regal and Marathon are trademarks of Regal Beloit Corporation or one of its affiliated companies.
©2018 Regal Beloit Corporation, All Rights Reserved. MC017097E





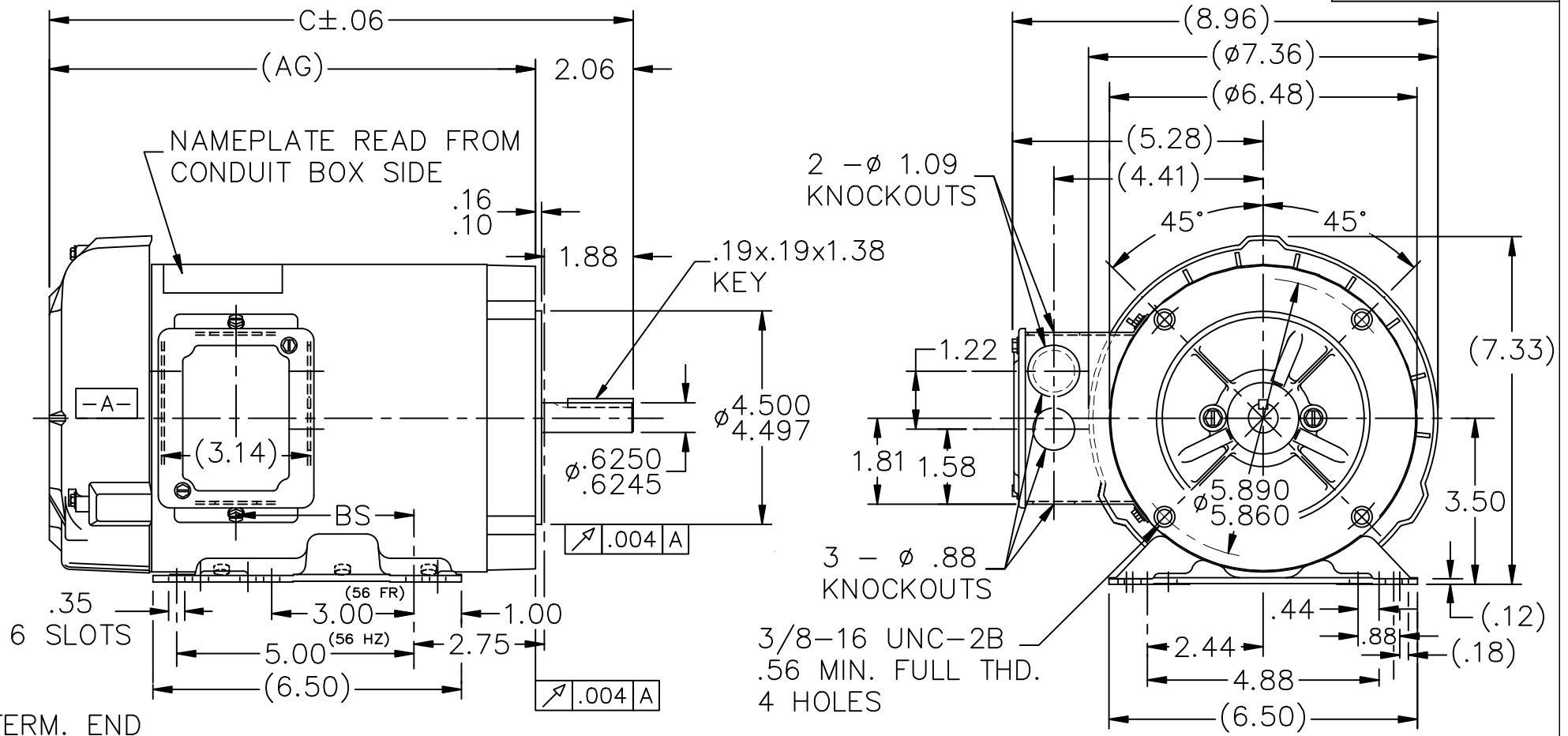
Nameplate Specifications

Output HP	3 Hp	Output KW	2.24 kW
Frequency	60 Hz	Voltage	575 V
Current	3.05 A	Speed	3450 rpm
Service Factor	1.15	Phase	3
Efficiency	87.5 %	Duty	CONTINUOUS
Insulation Class	F	Design Code	A
KVA Code	M	Frame	56HC
Enclosure	TEFC	Overload Protector	NOT
Ambient Temperature	40 °C	Drive End Bearing Size	6205
Opp Drive End Bearing Size	6203	UL	Recognized
CSA	Y	CE	Y
IP Code	43		

Technical Specifications

Electrical Type	SQ CAGE IND RUN	Starting Method	ACROSS THE LINE
Poles	2	Rotation	REV
Mounting	BOLT-ON	Motor Orientation	HORIZONTAL OR UP OR DOWN
Drive End Bearing	BALL	Opp Drive End Bearing	BALL
Frame Material	ROLLED STEEL	Shaft Type	STANDARD 56
Overall Length	14.31 in	Frame Length	9.06 in
Shaft Diameter	0.63 in	Shaft Extension	2.06 in
Assembly/Box Mounting	F1 ONLY		
Outline Drawing	A-100140-906	Connection Diagram	EE7300

This is an uncontrolled document once printed or downloaded and is subject to change without notice. Date Created: 04/05/2018



TERM. END

DASH	FRAME	C	AG	BS	DASH	FRAME	C	AG	BS
706	56-70	12.31	10.25	3.75	906		14.31	12.25	5.75
756	"-75	12.81	10.75	4.25	956		14.81	12.75	6.25
806	"-80	13.31	11.25	4.75					
856	"-85	13.81	11.75	5.25					

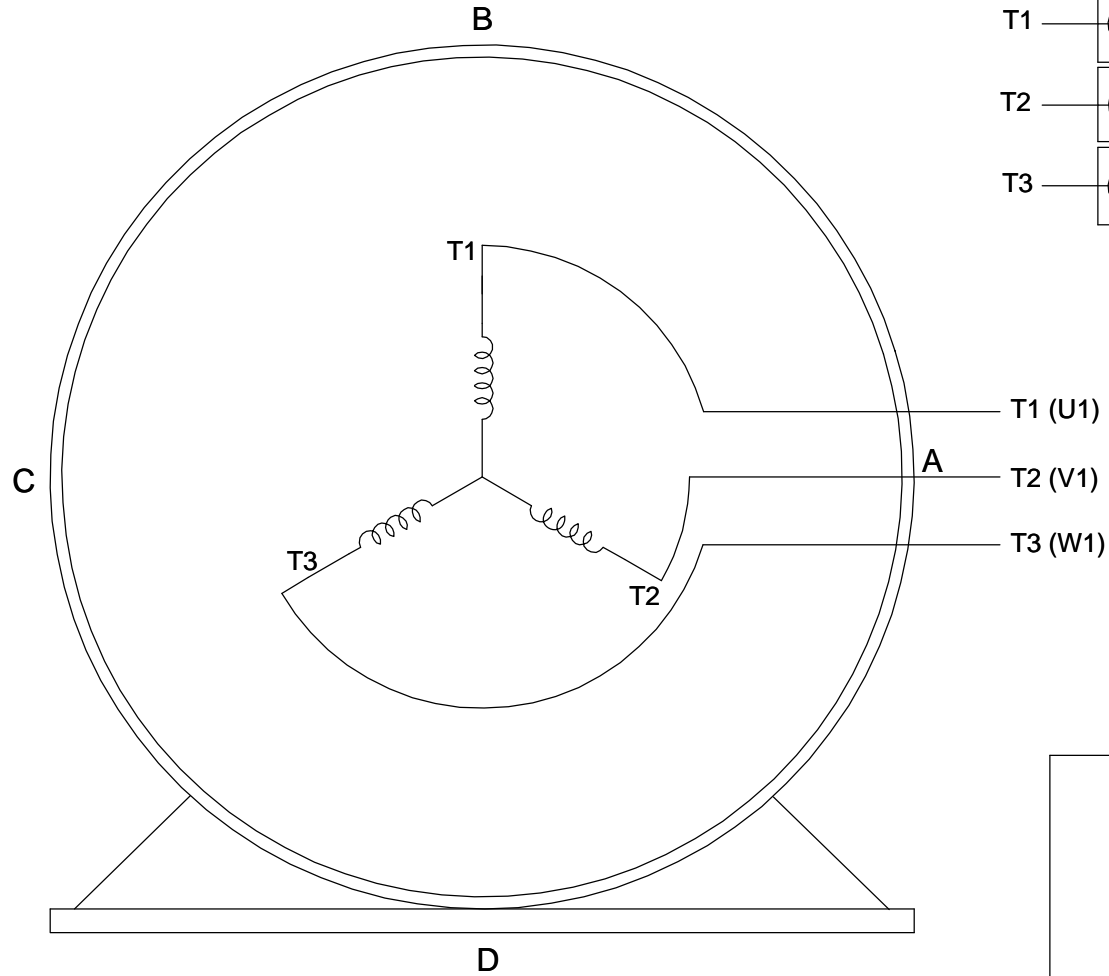
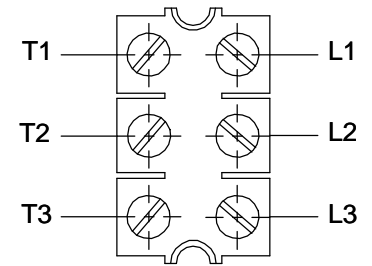
- NOTES:
1. CONDUIT BOX CAN BE ROTATED 180°
 2. BASE IS REMOVEABLE

				TOLERANCES UNLESS SPECIFIED			DRAWN BLR 05-27-1997				
				DEC.	INCHES		CHK	ML 05-27-1997			
				.X	±.1		APPD	GK 05-27-1997			
5	FIXED TABULATED CHART			TAT	03-21-2005	ML	.XX	±.03		SCALE	5=16
4	REDRAWN IN AUTOCAD			TAT	06-29-2004	ML	.XXX	±.005		REF	
3	REDRAWN ON CADD			BLR	05-27-1997		.XXXX	±.0005		FMF	
NO.	REVISION			BY & DATE		CHK	ANG	±7'30"		PREV	
THIS DRAWING IN DESIGN AND DETAIL IS OUR PROPERTY AND MUST NOT BE USED EXCEPT IN CONNECTION WITH OUR WORK ALL RIGHTS OF DESIGN AND INVENTION ARE RESERVED THIS IS AN ELECTRONICALLY GENERATED DOCUMENT - DO NOT SCALE THIS PRINT				RFP		CAD FILE 100140				SIZE	DRAWING NO. PAGE OF REV.
				DIST	WP					A	100140 5

**THREE PHASE - SINGLE VOLTAGE
MOTOR - CONDUIT BOX @ 'A'**

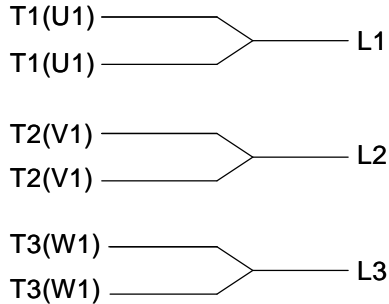
**TO REVERSE ROTATION:
INTERCHANGE ANY TWO
LINE LEAD CONNECTIONS.**

TERMINAL BLOCK WHEN SPECIFIED



VIEW OF TERMINAL END

**IF MOTOR HAS
6 LEADS**

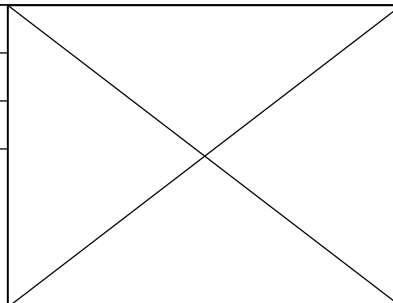


A-9806 DECAL

**OPTIONAL CORD
CONNECTION**

- L1 WHITE
- L2 RED
- L3 BLACK

DRAWING REVISION AB	REVISION BY JJB	DATE 06-27-2017
ECO ECO-0125361	APPROVED BY TB	DATE 06-27-2017
ECO DESCRIPTION UPDATED TO CURRENT STANDARDS		
<small>COPYRIGHT REGAL BELOIT AMERICA, INC. ALL RIGHTS RESERVED. PROPRIETARY AND CONFIDENTIAL INFORMATION - THIS DOCUMENT IS THE PROPERTY OF REGAL BELOIT AMERICA, INC. ("OWNER") AND CONTAINS OWNER'S PROPRIETARY INFORMATION. ANY PERSON, CORPORATION OR OTHER FIRM RECEIVING IT IS DEEMED, BY RECEIVING IT, TO AGREE THAT IT, AND/OR ANY PART OF IT, SHALL NOT BE DISCLOSED TO ANY PERSON, CORPORATION OR OTHER ENTITY, DUPLICATED, AND/OR USED, EXCEPT AS EXPRESSLY APPROVED IN WRITING IN ADVANCE BY OWNER. THIS DOCUMENT SHALL BE RETURNED TO OWNER UPON REQUEST. IT MAY BE SUBJECT TO CERTAIN RESTRICTIONS UNDER APPLICABLE EXPORT CONTROL LAWS AND REGULATIONS.</small>		



DRAWN BY DA
DATE 03-26-1993
APPROVED BY TB
DATE 03-26-1993
REFERENCE
THIRD ANGLE PROJECTION

Regal Beloit America, Inc.		
		DESCRIPTION CONNECTION DIAGRAM EXTERNAL - SINGLE VOLTAGE - 3Ø MOTOR
MATERIAL	PROCESS/FINISH	
SIZE A	DRAWING NUMBER EE7300	SHEET 1 OF 1

