

FRAME: 56C

HP:

RPM:

PHASE: 3

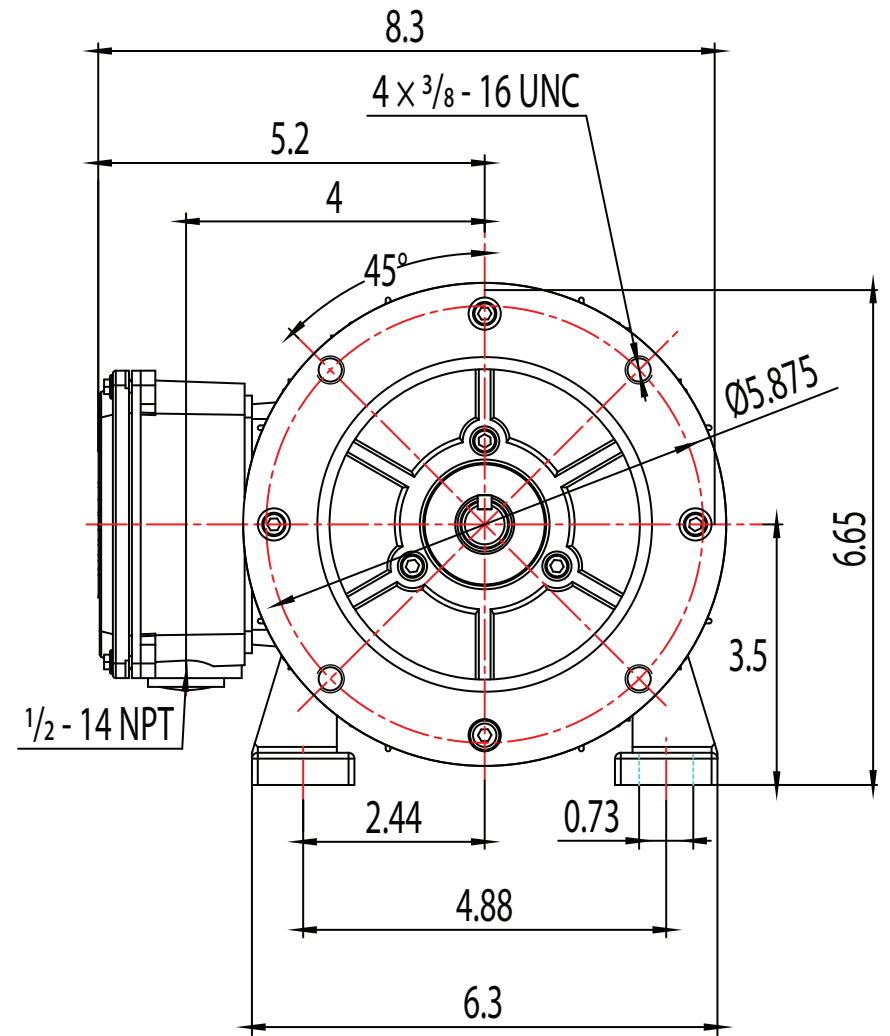
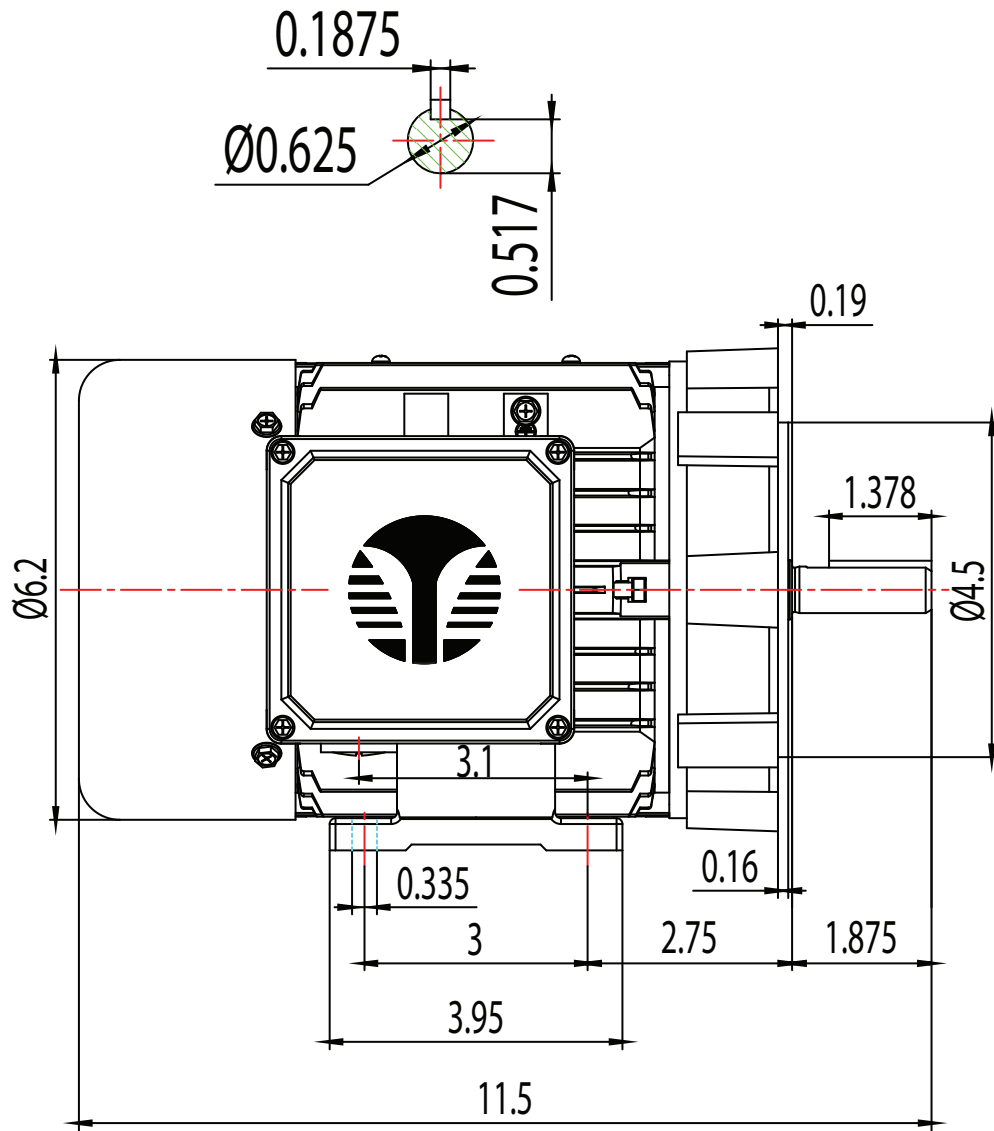
VOLT: 230/460V

ENCL: TEFC

FREQ: 60 Hz

FLA:

LRA:



MODEL NUMBER:

CB3-AL-TF-56C

MFG PN:

REV. BY DATE

1		
2		
3		
4		
5		
6		
7		

CHANGES

MATERIAL: ALUMINUM

UNITS: INCH BY: SSEE

DRAWN: 1/3/2019

WWW.TECHTOP.COM