



Cobra

NEMA

MOTOR MODEL:	CB3-AL-TF-56C-2-B-D-2
FACTORY TYPE:	TXA

Premium NEMA Cast Aluminum, TEFC

ELECTRICAL DATA		
	60 Hz	50 Hz
Horsepower	2.0	2.0
Speed, RPM	3500	2870
Voltage	208-230/460	190/380
# Phase	3	
Full Load Amps	5.5-5.24/2.62	6.20/3.10
Power Factor	0.84	-
Nominal Efficiency	85.5	83.5
3/4 Load Efficiency	-	-
Service Factor	1.25	1.0
KVA Code	L	H
FL Amps. @ 208 V	5.5	-
LRC @ 60Hz HV	24.4068	-
Start Capacitor	-	
Start Capacitor V	-	
Run Capacitor	-	
Run Capacitor V	-	
Number of Leads	9	
Connection	YY/Y	
Coil Resistance	-	
Date Code	-	
Load	Efficiency %	P.F.
50%	-	-
75%	-	-
100%	-	-
FULL LOAD TEMPERATURE RISE		
FL Temp Rise °C	43.2	-
3D Image Link		
CB3-AL-TF-56C-2-B-D-2		

GENERAL DATA		
Frame Size	56C	
Frame Enclosure	TEFC	
Mounting	Rigid/C-Flange	
Insulation Class	F	
Duty	Cont. / S1	
NEMA Design	B	
Frame Material	Cast Aluminum	
Ingress Protection	55	
Tropicalization	true	
Cable Entry	1-NPT 1/2"	
Feet Removable	true	
Double Drilled	-	
Paint Color	Graphite Gray	
Paint RAL	7024	
Weight lb	26.5	
MECHANICAL DATA		
DE Bearing	6204ZZ	
NDE Bearing	6204ZZ	
dB No-Load	-	
Rotor Wk ² , Lb-Ft ²	-	
Comp Ring (wavy washer)	NDE	
TORQUE VALUES	Torque lb-ft	% FLT
Locked Rotor Torque	10.6747	353.0
Pull-Up Torque	8.92081	295.0
Breakdown Torque	12.8218	424.0
Full Load Torque	3.024	100.0
SITE CONDITIONS		
Ambient Temp °C	40	
Altitude Above Sea Level m	1000	

*This report valid for above Date Code and newer models, please contact Techttop for more info.

Techtop Industries
 2815 Colonnades Court
 Peachtree Corners, GA 30071
 Tel: 678-436-5540
 E-Mail: info@techttopind.com



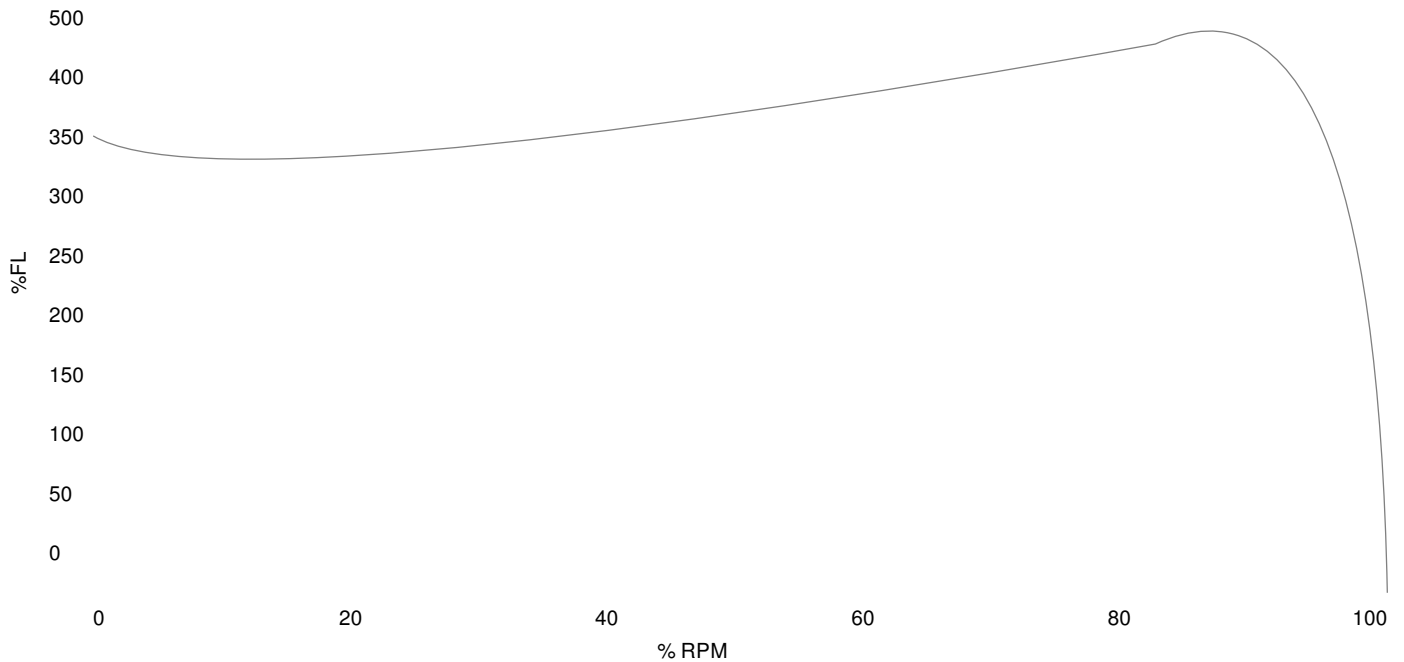
Cobra

NEMA

MOTOR MODEL:	CB3-AL-TF-56C-2-B-D-2
FACTORY TYPE:	TXA

Premium NEMA Cast Aluminum, TEFC

Torque Speed (T-n) Curve



Performance Load Values, High Voltage, 60Hz

Torque Values	Torque lb-ft	% FLT	Performance Values
Locked Rotor Torque	10.6747	353.0	Start Configuration
Pull-Up Torque	8.92081	295.0	Starting Current (A)
Breakdown Torque	12.8218	424.0	No-Load Current (A)
Full Load	3.024	100.0	No-Load Power Factor

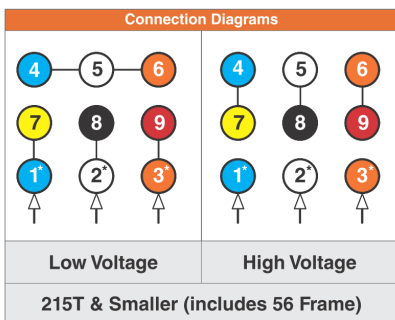
% Load	Horsepower	Current, Amps	Input power, Kilowatts	Speed, RPM	Efficiency	PF
0	-	1.3	-	-	-	-
25	0.5	-	-	-	-	-
50	1.0	-	-	-	-	-
75	1.5	-	-	-	-	-
100	2.0	-	-	-	-	-
125	2.5	-	-	-	-	-

Techtop Industries
 2815 Colonnades Court
 Peachtree Corners, GA 30071
 Tel: 678-436-5540
 E-Mail: info@techttopind.com

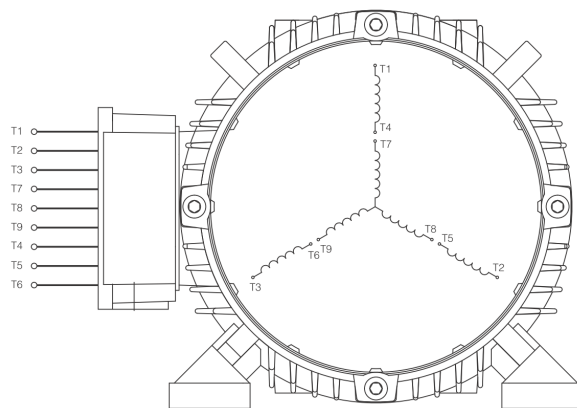
MOTOR MODEL:	CB3-AL-TF-56C-2-B-D-2
FACTORY TYPE:	TXA

Premium NEMA Cast Aluminum, TEFC

3 Phase NEMA YY/Y 9 Lead 230/460V



When motor is in F1 position, leads shown with "*" exit the casing above the center line of the motor, the remaining leads exit below the center line. This information can be used to identify missing or mislabelled leads.



MOTOR MODEL:	CB3-AL-TF-56C-2-B-D-2
FACTORY TYPE:	TXA

Premium NEMA Cast Aluminum, TEFC

