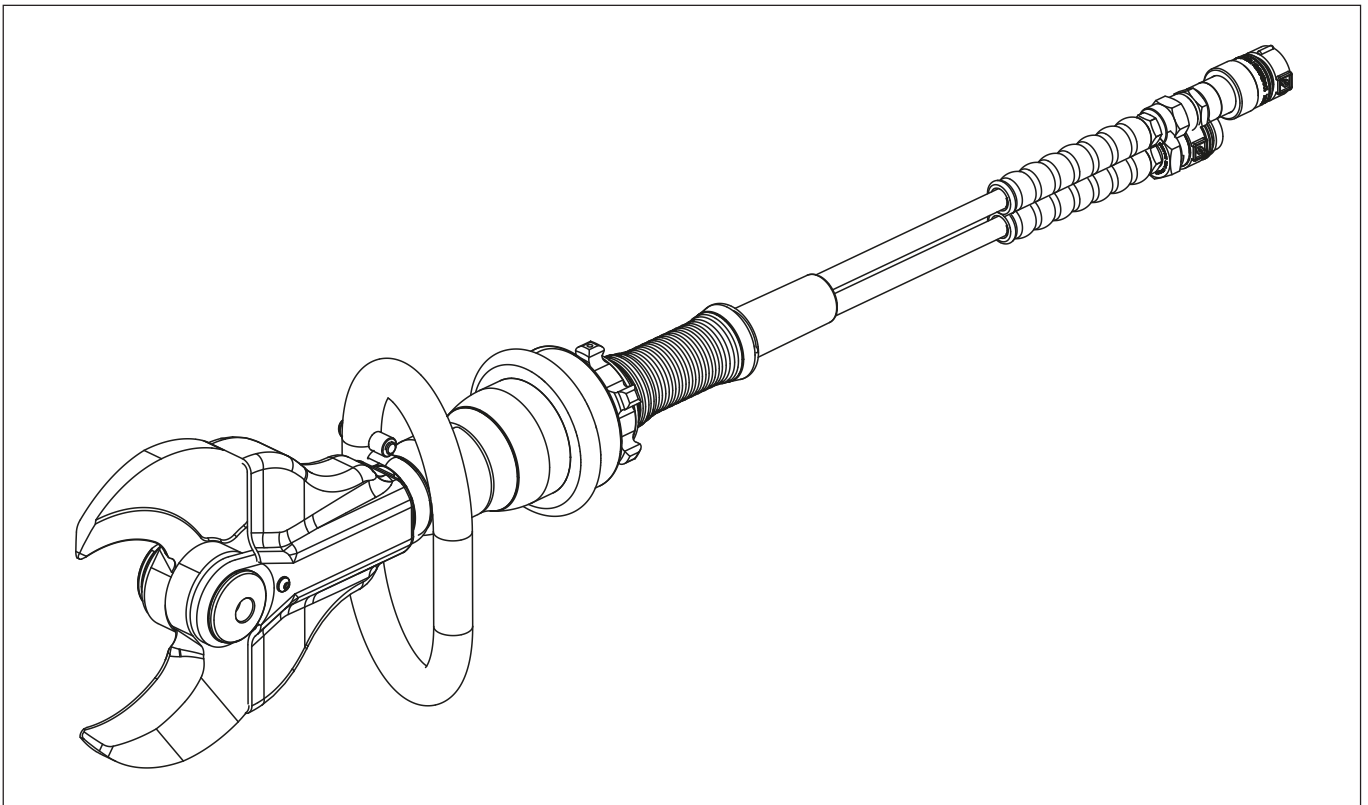


Document Number	Document Revision	Document Revision Date	Product Date Code Beginning With
L4324	E	10/2022	A

**To Protect Your Warranty, Use Only ENERPAC Hydraulic Oil.**

Enerpac recommends that all kit components be installed to insure optimum performance of the repaired product.



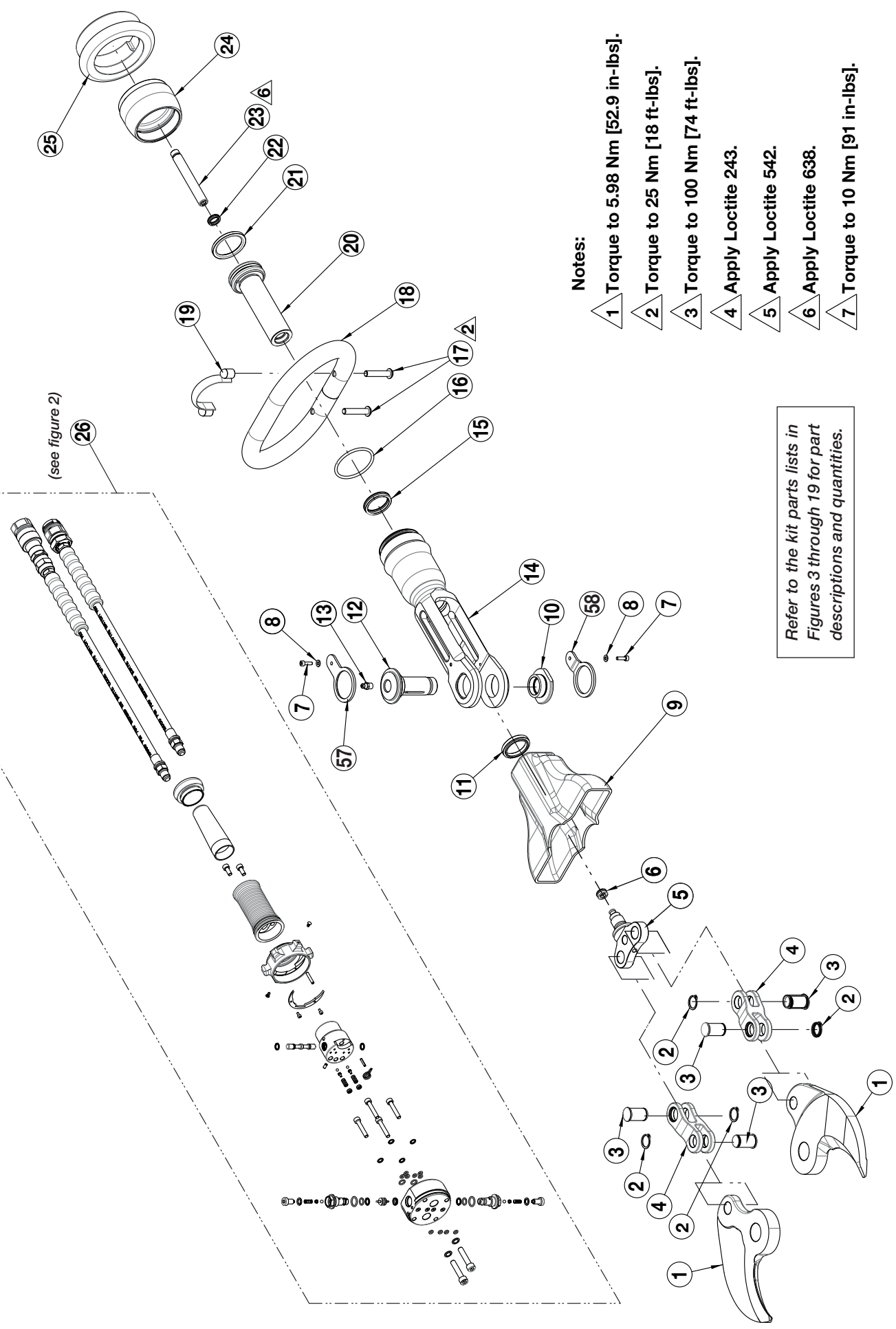
**Table of Contents:**

	Page		Page
Figure 1 - Exploded View - Model EDCH130 (view 1 of 2) . . .	2	Figure 11 - EDCH13009K Seal Kit . . . . .	6
Figure 2 - Exploded View - Model EDCH130 (view 2 of 2) . . .	3	Figure 12 - EDCH13010K Small Parts Kit . . . . .	7
Figure 3 - EDCH13001K Jaw Kit . . . . .	4	Figure 13 - EDCH13011K Front Valve Kit . . . . .	8
Figure 4 - EDCH13002K Linkage Kit . . . . .	4	Figure 14 - EDCH13012K Rear Valve Kit . . . . .	8
Figure 5 - EDCH13003K Cover Kit . . . . .	4	Figure 15 - EDCH13013K Collar Spring Kit . . . . .	9
Figure 6 - EDCH13004K Cylinder Body Kit . . . . .	4	Figure 16 - EDCH13014K Collar Kit . . . . .	9
Figure 7 - EDCH13005K Lift Handle Kit . . . . .	5	Figure 17 - EDCH13015K Positioning Handle Kit . . . . .	9
Figure 8 - EDCH13006K Piston Kit . . . . .	5	Figure 18 - ECH500EK Hydraulic Hose Kit . . . . .	10
Figure 9 - EDCH13007K Pin Kit . . . . .	5	Figure 19 - DKSCOMP Decal Kit . . . . .	11
Figure 10 - EDCH13008K Cylinder Bottom Kit . . . . .	5		

**⚠ WARNING** Be certain that hydraulic pressure is completely relieved (0 psi/bar) before beginning any adjustment, maintenance or repair procedures. Appropriate shop safety procedures are to be followed during disassembly and reassembly to minimize any possibility of injury.

**Note:** Parts kits, components and product features described in this document are subject to change without notice.

Figure 1 - Exploded View - Model EDCH130 (view 1 of 2)

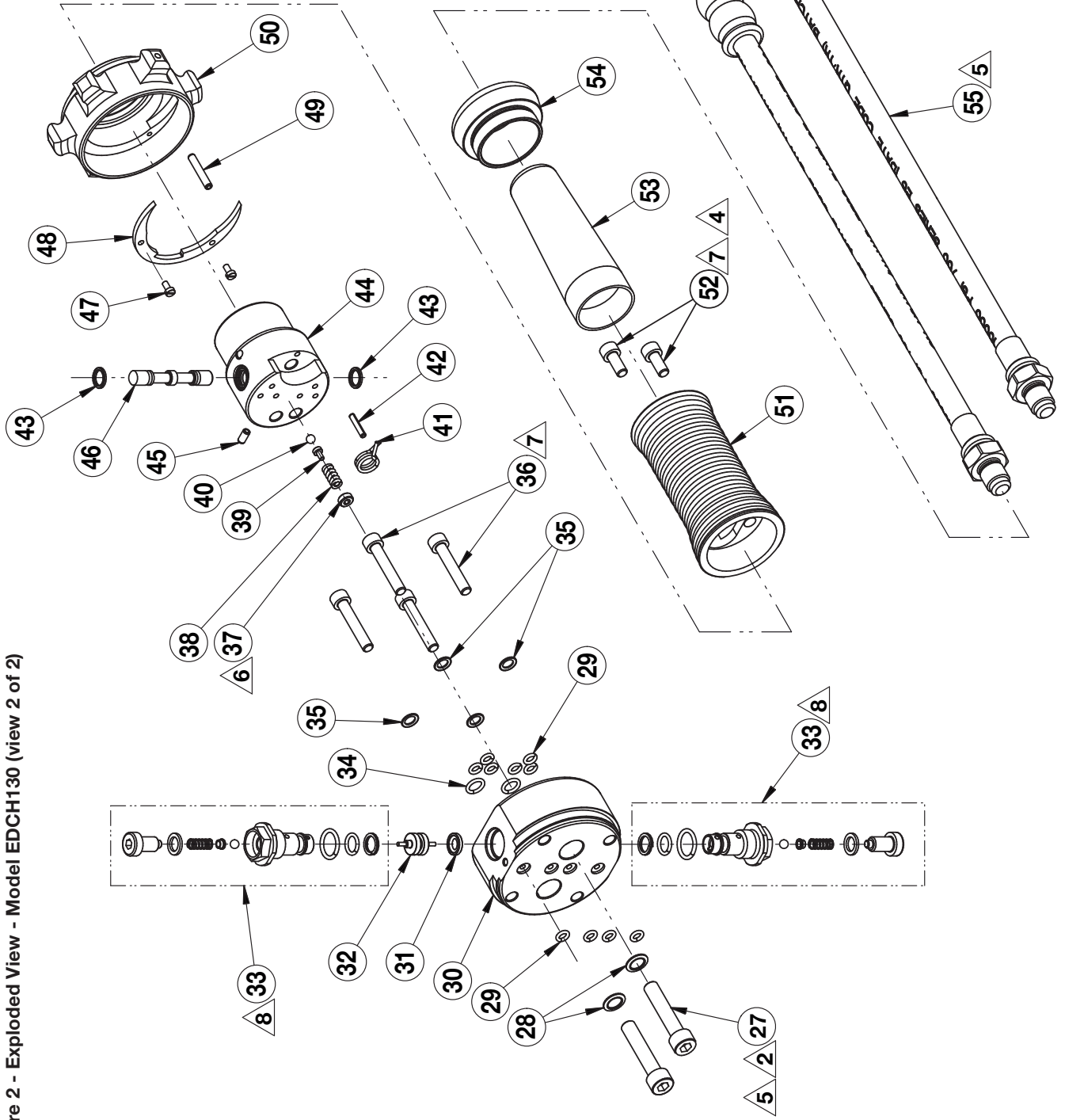


Notes:

- 1 Torque to 5.98 Nm [52.9 in-lbs].
- 2 Torque to 25 Nm [18 ft-lbs].
- 3 Torque to 100 Nm [74 ft-lbs].
- 4 Apply Loctite 243.
- 5 Apply Loctite 542.
- 6 Apply Loctite 638.
- 7 Torque to 10 Nm [91 in-lbs].

Refer to the kit parts lists in Figures 3 through 19 for part descriptions and quantities.

Figure 2 - Exploded View - Model EDCH130 (view 2 of 2)

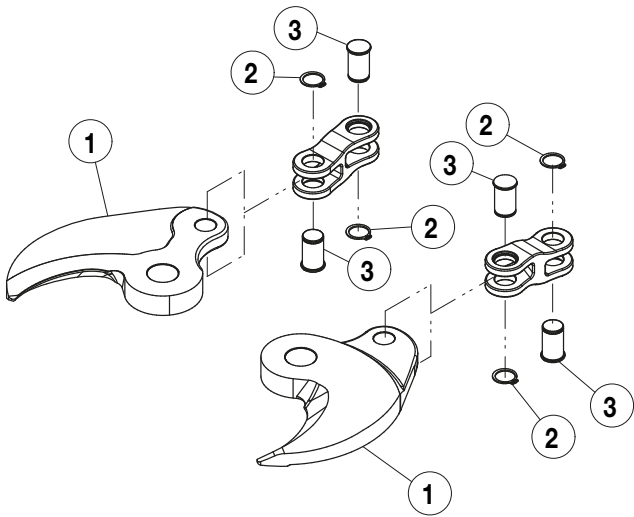


**Notes:**

- 2 Torque to 25 Nm [18 ft-lbs].
- 4 Apply Loctite 243.
- 5 Apply Loctite 542.
- 6 Apply Loctite 638.
- 7 Torque to 10 Nm [91 in-lbs].
- 8 Refer to Figure 18 for check valve parts list, assembly diagram and Loctite sealant locations.

Refer to the kit parts lists in Figures 3 through 19 for part descriptions and quantities.

Figure 3 - EDCH13001K Jaw Kit

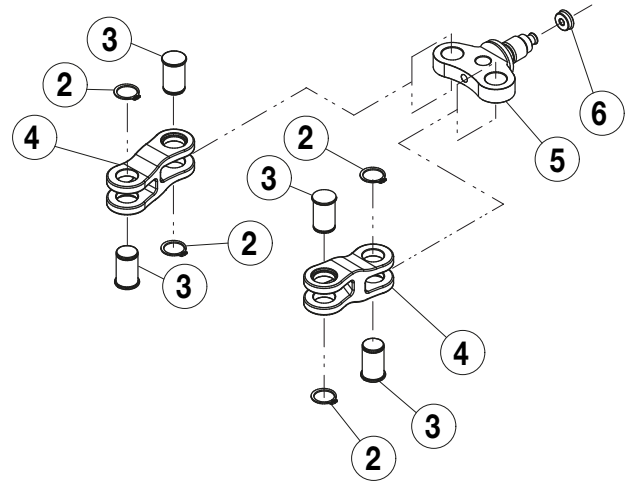


Parts List for Figure 3

Item No.	Qty.	Description
1	2	Blade
2	4	Seeger Ring, External D=17 UNI7435
3	4	Lever Pin

**Note:** Kit parts available in kits only. Items not sold separately.

Figure 4 - EDCH13002K Linkage Kit

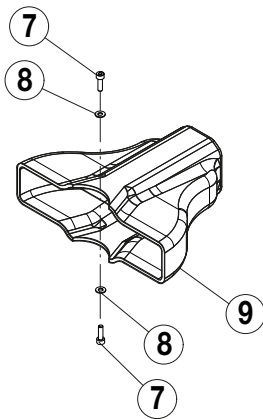


Parts List for Figure 4

Item No.	Qty.	Description
2	4	Seeger Ring, External D=17 UNI7435
3	4	Lever Pin
4	2	Jaw Links
5	1	Yoke
6	1	Gasket 15 x 5

**Note:** Kit parts available in kits only. Items not sold separately.

Figure 5 - EDCH13003K Cover Kit

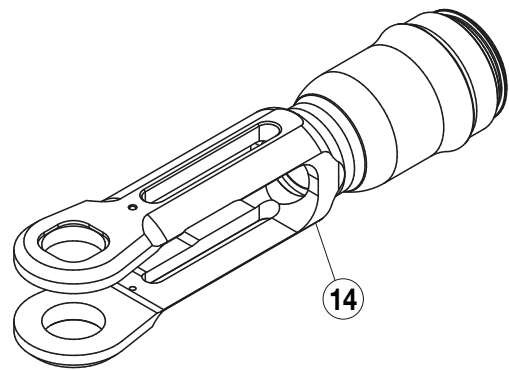


Parts List for Figure 5

Item No.	Qty.	Description
7	2	SHCS M4 x 14 UNI 5931 Zn
8	2	Flat Washer M4 UNI 6592 Zn
9	1	Blades Rubber Guard

**Note:** Kit parts available in kits only. Items not sold separately.

Figure 6 - EDCH13004K Cylinder Body Kit

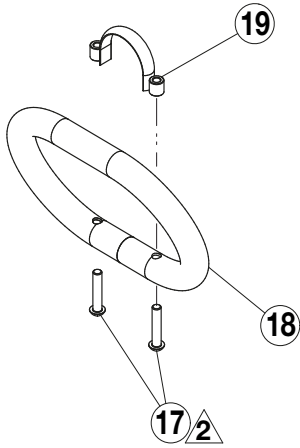


Parts List for Figure 6

Item No.	Qty.	Description
14	1	Cylinder

**Note:** This kit contains only one part (item 14).

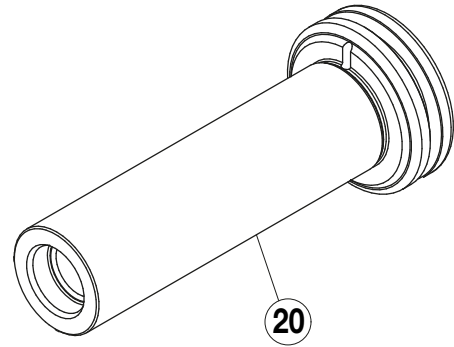
Figure 7 - EDCH13005K Lift Handle Kit



Note:

▲ Torque to 25 Nm [18 ft-lbs].

Figure 8 - EDCH13006K Piston Kit



Parts List for Figure 7

Item No.	Qty.	Description
17	2	Button Screw M8 x 40 UNI 7380 Zn
18	1	Handle Assembly
19	1	Bracket

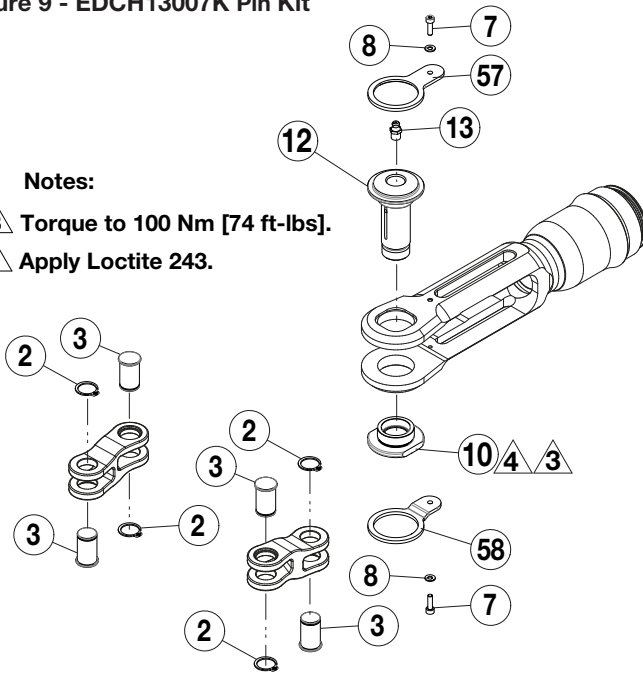
Note: Kit parts available in kits only. Items not sold separately.

Parts List for Figure 8

Item No.	Qty.	Description
20	1	Piston Assembly

Note: This kit contains only one part (item 20).

Figure 9 - EDCH13007K Pin Kit



Notes:

▲ Torque to 100 Nm [74 ft-lbs].

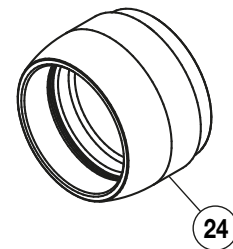
▲ Apply Loctite 243.

Parts List for Figure 9

Item No.	Qty.	Description
2	4	Seeger Ring, External D=17 UNI7435
3	4	Lever Pin
7	2	SHCS M4 x 14 UNI 5931 Zn
8	2	Flat Washer M4 UNI 6592 Zn
10	1	Lock Ring for Kingpin
12	1	Pin
13	1	Grease Nipple M8 x 1
57	1	Upper Safety Bracket
58	1	Lower Safety Bracket

Note: Kit parts available in kits only. Items not sold separately.

Figure 10 - EDCH13008K Cylinder Bottom Kit

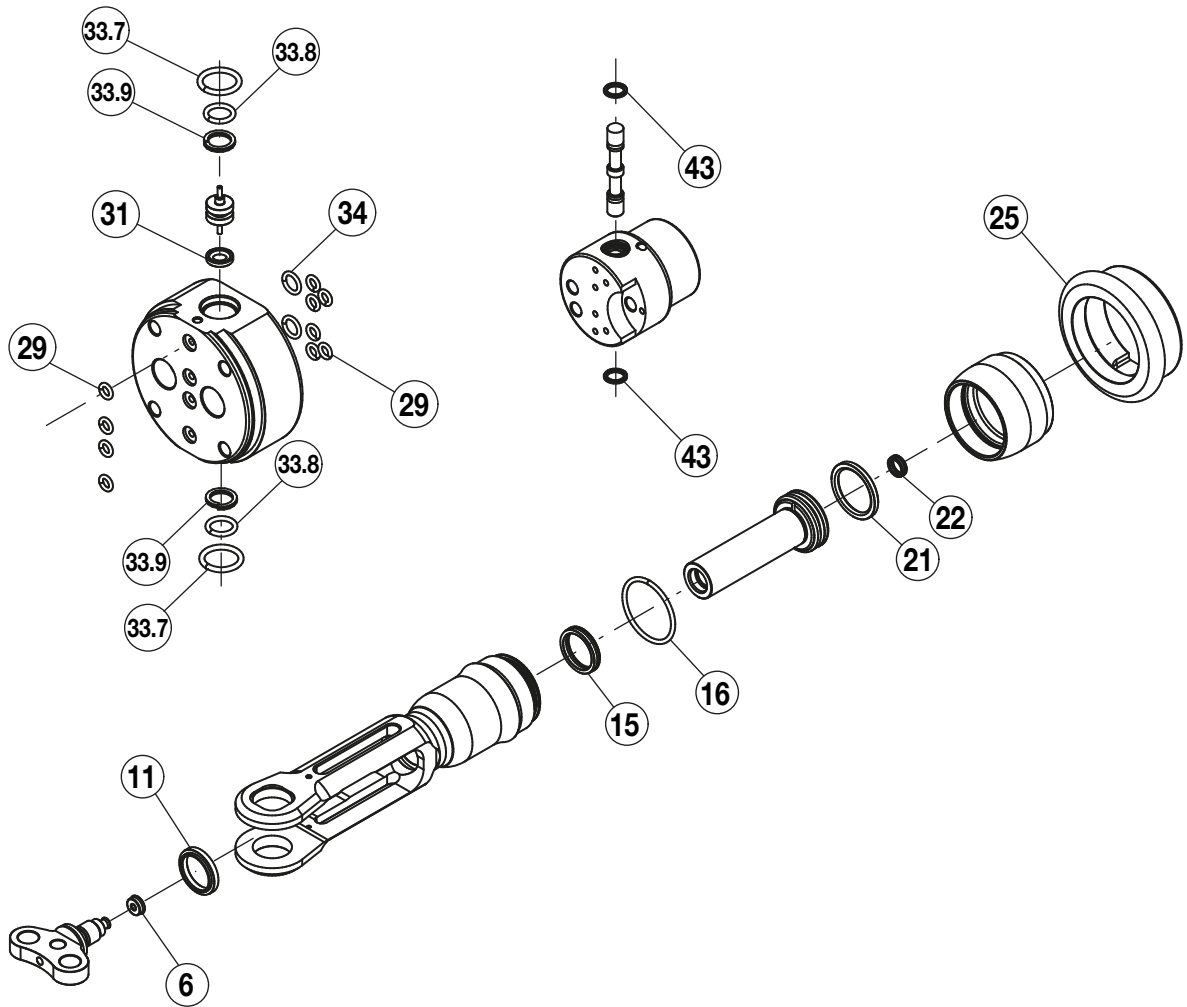


Parts List for Figure 10

Item No.	Qty.	Description
24	1	Piston Rear End Assembly

Note: This kit contains only one part (item 24).

Figure 11 - EDCH13009K Seal Kit

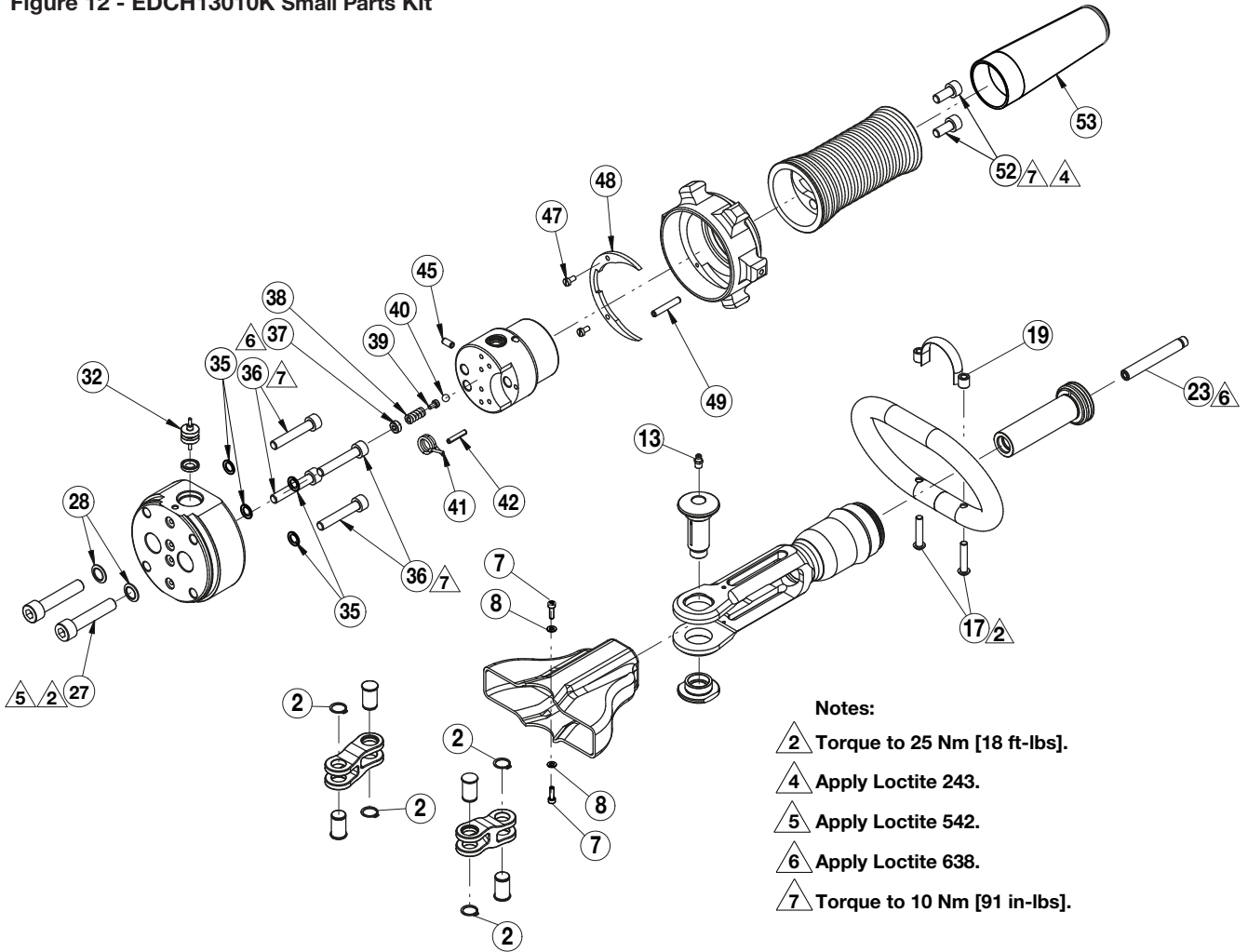


Parts List for Figure 11		
Item No.	Qty.	Description
6	1	Gasket 15 x 5
11	1	Dust Seal 32 x 40 x 5.4
15	1	Gasket 40 x 32 x 6.5
16	1	O-Ring 832 52.39 x 3.53
21	1	Gasket NPU 050 50 x 39 x 4.2
22	1	Gasket 18 x 13 x 4.5
25	1	Rubber Ring
29	10	O-Ring 008 4.48 x 1.78 90 SH
31	1	Gasket EGR 0120 6.07 x 12 x 2
33.7	2	O-Ring 13 x 2 90 SH
33.8	2	O-Ring 8.73 x 1.78
33.9	2	Backup Ring BR 611-108
34	2	O-Ring 7.65 x 1.78
43	2	Quad Ring 8.2 x 1.78

**Notes:**

- Items 33.7, 33.8 and 33.9: See Figure 13 for complete check valve parts list and diagram.
- Kit parts available in kits only. Items not sold separately.

Figure 12 - EDCH13010K Small Parts Kit



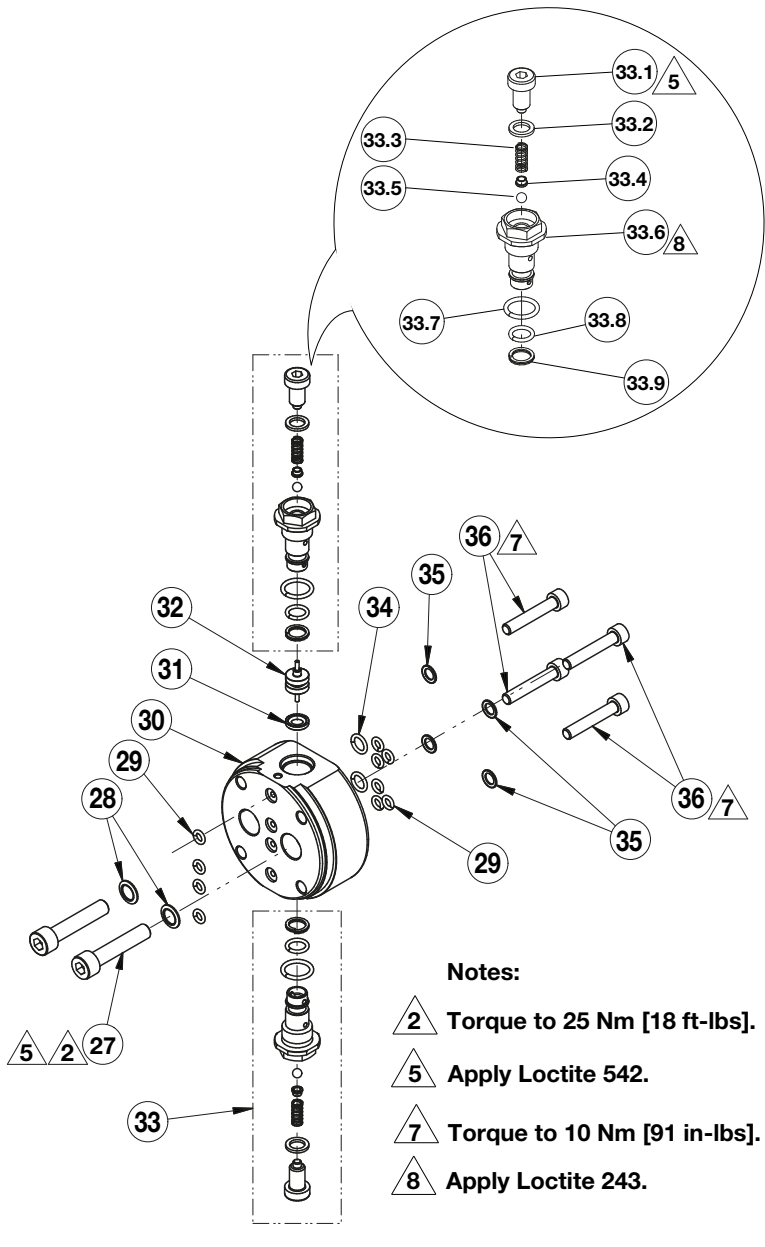
Notes:

- ② Torque to 25 Nm [18 ft-lbs].
- ④ Apply Loctite 243.
- ⑤ Apply Loctite 542.
- ⑥ Apply Loctite 638.
- ⑦ Torque to 10 Nm [91 in-lbs].

Parts List for Figure 12		
Item No.	Qty.	Description
2	4	Seeger Ring, External D=17 UNI7435
7	2	SHCS M4 x 14 UNI 5931 Zn
8	2	Flat Washer M4 UNI 6592 Zn
13	1	Grease Nipple M8 x 1
17	2	Button Screw M8 x 40 UNI 7380 Zn
19	1	Bracket
23	1	Oil Return Pipe
27	2	Socket Cap Screw M8 x 40 UNI5931 Zn
28	2	Schnorr Washer M8 Zn
32	1	Piston
35	4	Schnorr Washer, M8 Zn
36	4	Socket Cap Screw M6 x 35 UNI5931 Zn
37	1	Adjustment Valve Grub Screw M8 x 3.5
38	1	Spring F.1.7 x e6.3 x 6 x Lo13 Rounded
39	1	Valve Pin
40	1	Ball 3/16 D. 4.76
41	1	Spring F.1.7 x i9.3 x 3
42	1	Spring Pin 3 x 16
45	1	Spring Pin 3 x 16
47	2	Screw TCTC M3 x 6 UNI 6107 Brass
48	1	Actuation Fork
49	1	Spring Pin 4 x 24
52	2	Socket Cap Screw M6 x 14 UNI5931 Zn
53	1	Rubber Sleeve

**Note:** Kit parts available in kits only. Items not sold separately.

Figure 13 - EDCH13011K Front Valve Kit

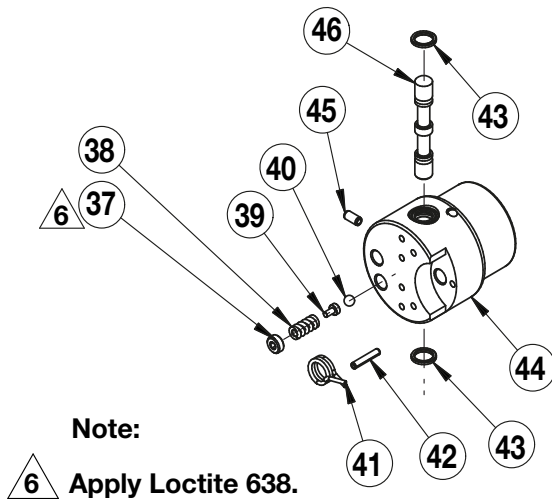


Parts List for Figure 13

Item No.	Qty.	Description
27	2	Socket Cap Screw M8 x 40 UNI5931 Zn
28	2	Schnorr Washer M8 Zn
29	10	O-Ring 008 4.48 x 1.78 90 SH
30	1	Valve Flange
31	1	Gasket EGR 0120 6.07 x 12 x 2
32	1	Piston
33	2	Check Valve
33.1	1	Valve Screw
33.2	1	Flat Washer 8 x 12 x 1.4 Copper
33.3	1	Spring F.0.7 x e5.7 x 7.5
33.4	1	Ball Guide
33.5	1	Ball 3/16 D. 4.76
33.6	1	Valve Cap
33.7	1	O-Ring 13 x 2 90 SH
33.8	1	O-Ring 8.73 x 1.78
33.9	1	Backup Ring BR 611-108
34	2	O-Ring 7.65 x 1.78
35	4	Schnorr Washer M6 Zn
36	4	Socket Cap Screw M6 x 35 UNI5931 Zn

**Note:** Kit parts available in kits only. Items not sold separately.

Figure 14 - EDCH13012K Rear Valve Kit



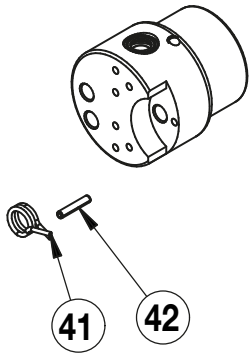
Parts List for Figure 14

Item No.	Qty.	Description
37	1	Adjustment Valve Grub Screw M8 x 3.5
38	1	Spring F.1.7 x e6.3 x 6
39	1	Valve Pin
40	1	Ball 3/16 D. 4.76
41	1	Spring F.1.7 x i9.3 x 3
42	1	Spring Pin 3 x 16
43	2	Quad Ring 8.2 x 1.78
44	1	Distributor Assembly
45	1	Spring Pin 3 x 16
46	1	Valve Slider

**Note:** Kit parts available in kits only. Items not sold separately.



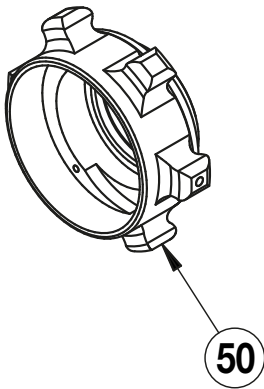
**Figure 15 - EDCH13013K Collar Spring Kit**



Parts List for Figure 15		
Item No.	Qty.	Description
41	1	Spring F.1.7 x i9.3 x 3
42	1	Spring Pin 3 x 16

**Note:** Kit parts available in kits only. Items not sold separately.

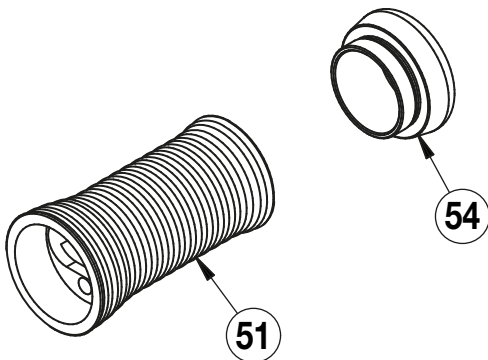
**Figure 16 - EDCH13014K Collar Kit**



Parts List for Figure 16		
Item No.	Qty.	Description
50	1	Control Valve Grip

**Note:** This kit contains only one part (item 50).

**Figure 17 - EDCH13015K Positioning Handle Kit**



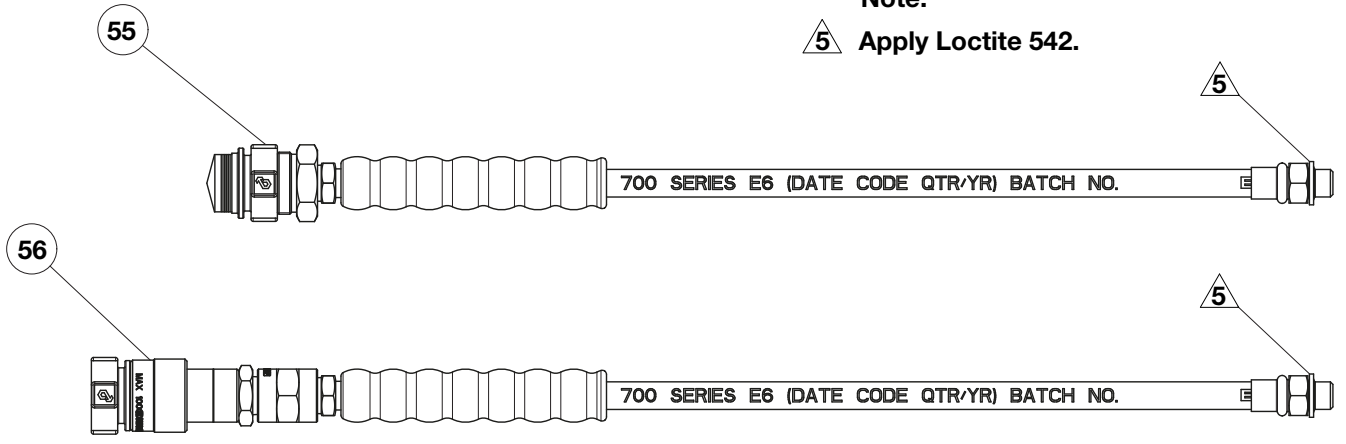
Parts List for Figure 17		
Item No.	Qty.	Description
51	1	Grip
54	1	Rear Grip

**Note:** Kit parts available in kits only. Items not sold separately.

Figure 18 - ECH500EK Hydraulic Hose Kit.

**Note:**

**5** Apply Loctite 542.



**Parts List for Figure 18**

Item No.	Qty.	Description
55	1	Male Hose
56	1	Female Hose

**Note:** Kit parts available in kits only. Items not sold separately.

**Figure 19 - DKSCOMP Decal Kit**

**Notes:**

- The decal kit contains decals used on many different cutter models.
- Replace only the decals used on your cutter. Discard the remaining decals in the kit.

