

Document Number	Document Revision	Document Revision Date	Product Date Code Beginning With
L4336	E	08/2019	A

To Protect Your Warranty, Use Only ENERPAC Hydraulic Oil.

Enerpac recommends that all kit components be installed to insure optimum performance of the repaired product.

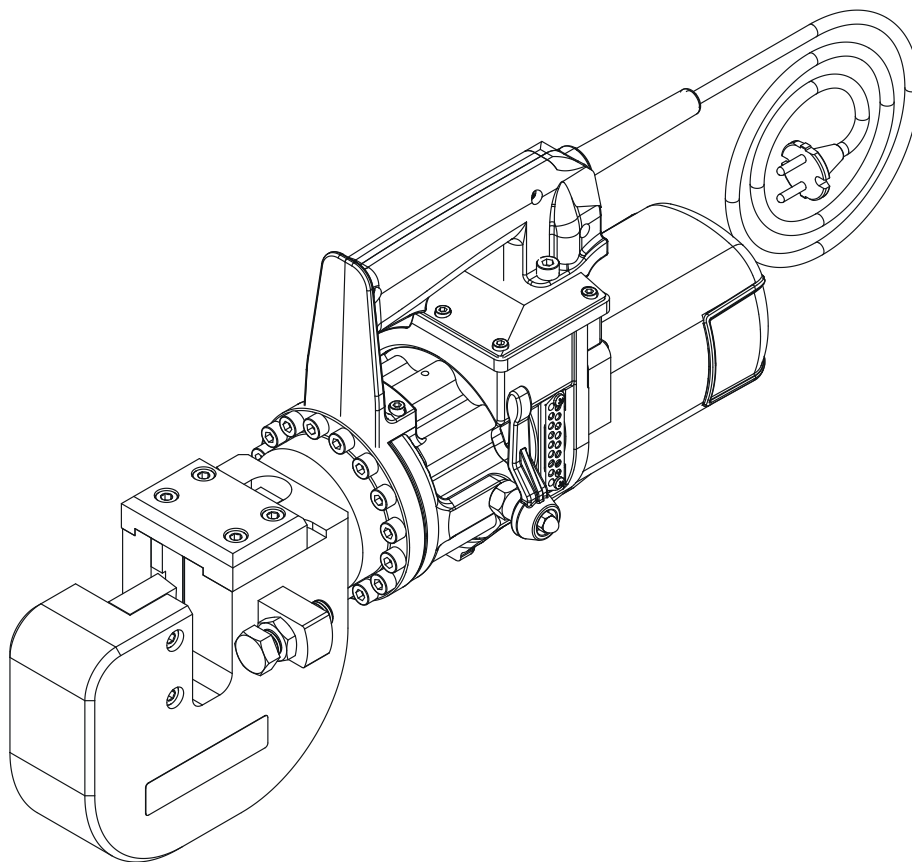


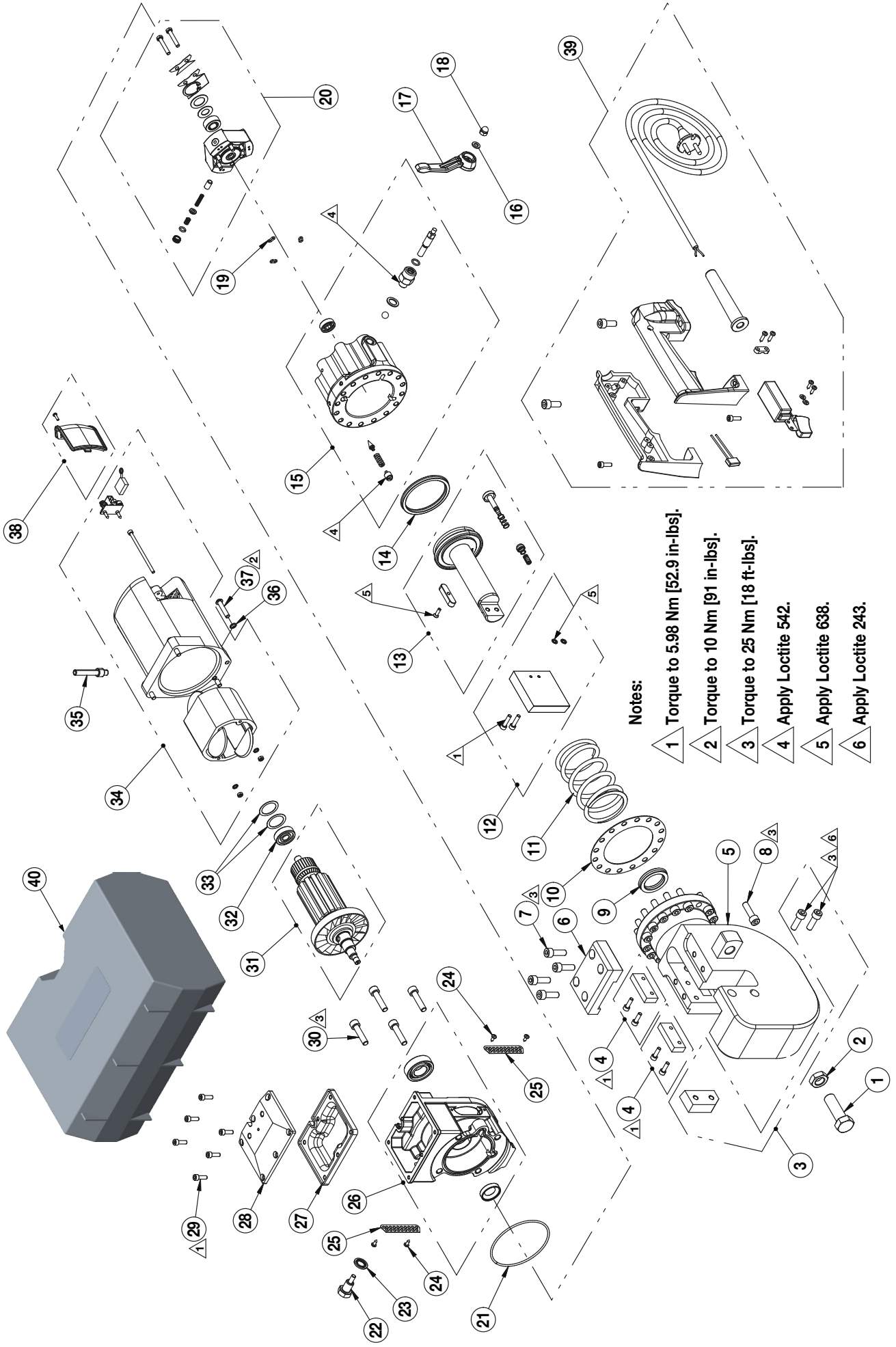
Table of Contents:

	Page		Page
Figure 1 - EFBE7015 Cutter, Exploded View	2	Figure 11 - EFBE501710K Tank Kit	8
Figure 2 - EFBE701501K Blade Kit	4	Figure 12 - EFBE501707K Release Valve Kit	8
Figure 3 - EFBE701502K Head Kit	4	Figure 13 - EFBE501712K and EFBE501703K Handle Kit	9
Figure 4 - EFBE701503K Guide Kit	5	Figure 14 - EBE2223K and EBE2203K Switch Kit	9
Figure 5 - EFBE701504K Top Cover Kit	5	Figure 15 - EBE2214K Bearing Kit	10
Figure 6 - EFBE501704K Piston Kit	6	Figure 16 - EBE2220K and EBE2211K Rotor Kit	10
Figure 7 - EBE2607K Cylinder Spring Kit	6	Figure 17 - EBE2222K and EBE2215K Brush Kit	10
Figure 8 - EFBE501705K Cylinder Body Kit	6	Figure 18 - EBE2221K and EBE2212K Motor Kit	11
Figure 9 - EFBE501702K Seal Kit	7	Figure 19 - EFBE501711K Small Parts Kit	12
Figure 10 - EBE2210K Pump Kit	7	Figure 20 - DKSCOMP Decal Kit	13

⚠ WARNING Be certain that cutter is disconnected from AC power supply before beginning any adjustment, maintenance or repair procedures. Appropriate shop safety procedures are to be followed during disassembly and reassembly to minimize any possibility of injury.

Note: Parts kits, components and product features described in this document are subject to change without notice.

Figure 1 - EFBE7015 Cutter, Exploded View

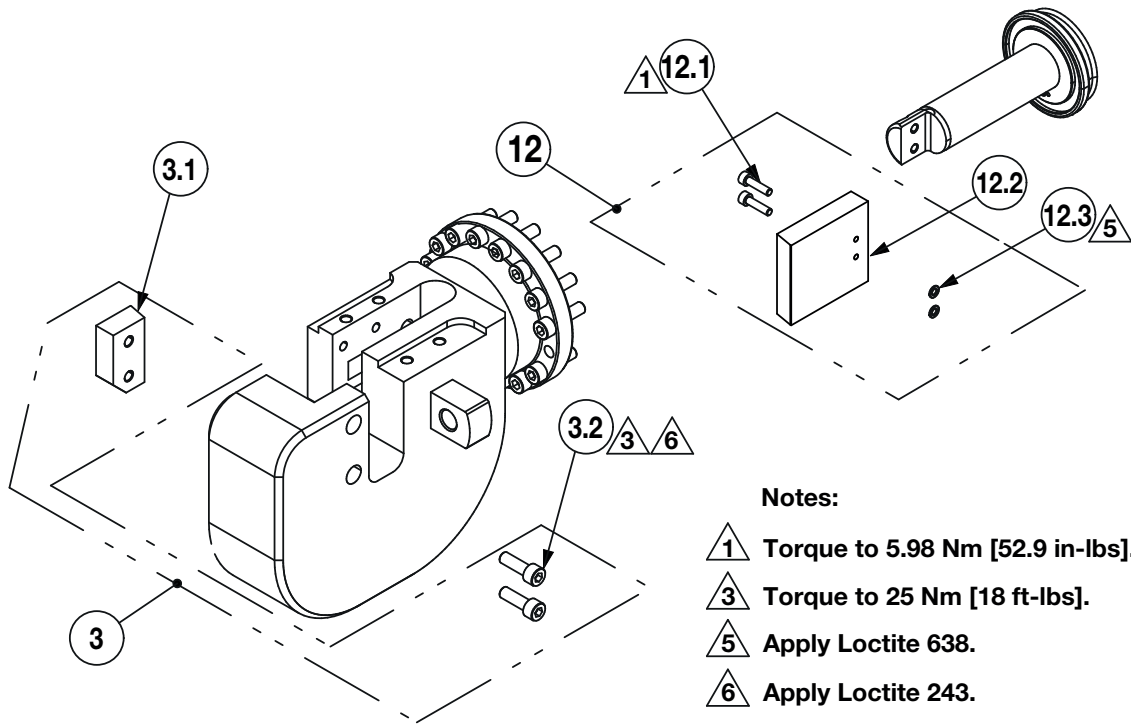


Repair Parts List for Figure 1

Item No.	Qty.	Description
1	1	HXBT Screw M16 x 50 UNI 5739 Zn
2	1	Nut M16 UNI 5589 Zn
3	1	Fixed Blade Assembly
4	2	Sliding Guide Assembly
5	1	Head
6	1	Jumper
7	4	Socket Cap Screw M8 x 25 UNI 5931 Zn
8	16	Socket Cap Screw M8 x 30 UNI 5931 Zn
9	1	Gasket 4432
10	1	Gasket MU20
11	1	Spring F.6 x e67 x 5.5 x Lo107 Grounded
12	1	Moving Blade Assembly
13	1	Piston Assembly
14	1	Gasket 7565
15	1	Cylinder Base Assembly
16	1	Flat Washer 6.4 x 12 x 1.6 ISO 7089 Zn
17	1	Lever
18	1	Blind Brass Nut M6 x 10
19	3	O-Ring 6.07 x 1.78
20	1	Pump Assembly
21	1	O-Ring 88.57 x 2.62
22	1	Magnetic Filter
23	1	Bonded Seal Washer 1/4"
24	4	Screw Self Threading 3.5 x 9.5 UNI 6954 Zn
25	2	Screen
26	1	Tank Assembly
27	1	Diaphragm
28	1	Diaphragm Housing Lid
29	6	Socket Cap Screw M5 x 16 UNI 5931 Zn
30	4	Socket Cap Screw M5 x 35 UNI 5931 Zn
31	1	Rotor Assembly
32	1	Bearing
33	4	Compensating Ring 29.7 x 22.5 x 0.5
34	1	Motor Assembly MU22
35	1	Grommet Sleeve
36	4	Shnorr Washer M6 Zn
37	4	Hex Socket Button Head Screw M6 x 35 10.9 UNI 7380 Zn
38	2	Brush Cover Assembly
39	1	Handle Assembly
40	1	Hard Case

Note: Refer to Figures 2 through 20 for repair kit parts diagrams and additional information.

Figure 2 - EFBE701501K Blade Kit



Notes:

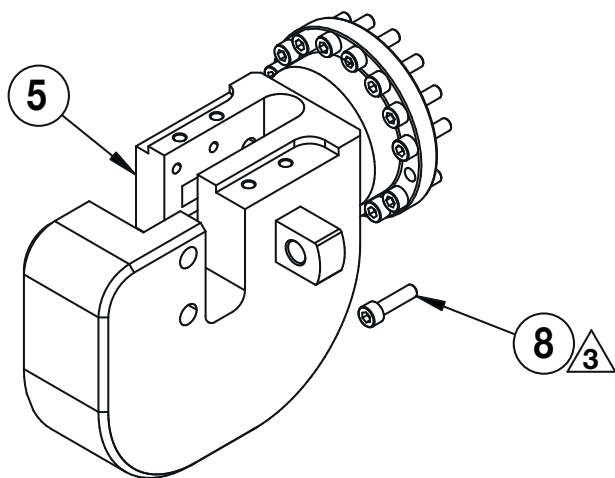
- 1** Torque to 5.98 Nm [52.9 in-lbs].
- 3** Torque to 25 Nm [18 ft-lbs].
- 5** Apply Loctite 638.
- 6** Apply Loctite 243.

Parts List for Figure 2

Item No.	Qty.	Description
3.1	1	Fixed Blade
3.2	2	Socket Cap Screw M8 x 25 UNI 5931 Zn
12.1	2	Socket Cap Screw M5 x 20 UNI 5931 Zn
12.2	2	Moving Blade
12.3	1	Grub Screw M5 x 5 UNI 5923

Note: Kit parts available only in kits. Items not sold separately.

Figure 3 - EFBE701502K Head Kit



Note:

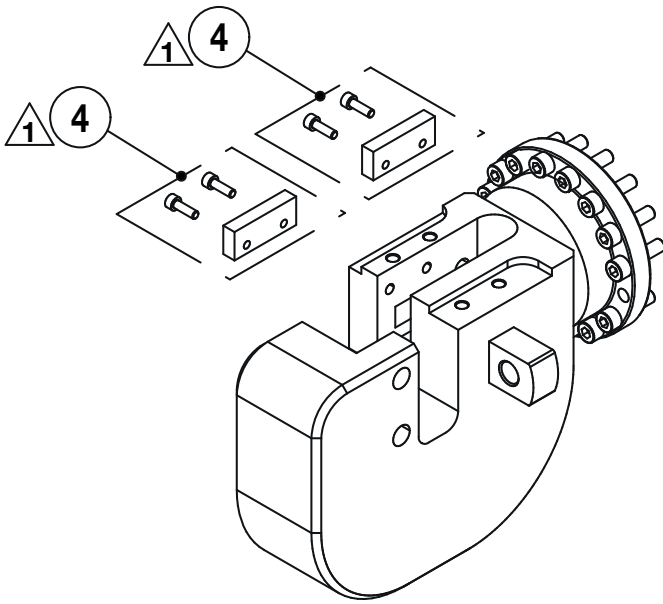
- 3** Torque to 25 Nm [18 ft-lbs].

Parts List for Figure 3

Item No.	Qty.	Description
5	1	Head
8	16	Socket Cap Screw M8 x 30 UNI 5931 Zn

Note: Kit parts available only in kits. Items not sold separately.

Figure 4 - EFBE701503K Guide Kit



Note:

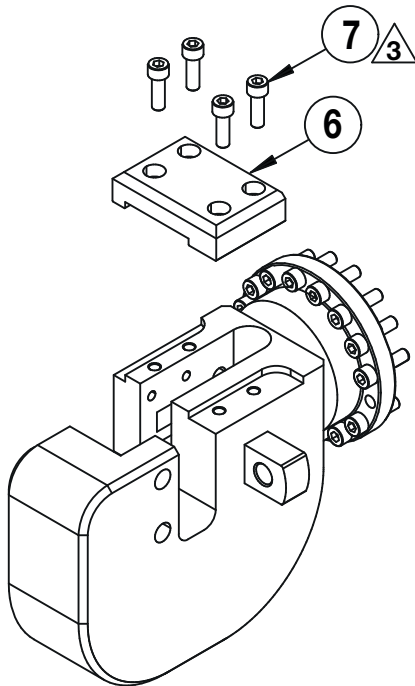
1 Torque to 5.98 Nm [52.9 in-lbs].

Parts List for Figure 4

Item No.	Qty.	Description
4	2	Sliding Guide Assembly

Note: Kit parts available only in kits. Items not sold separately.

Figure 5 - EFBE701504K Top Cover Kit



Note:

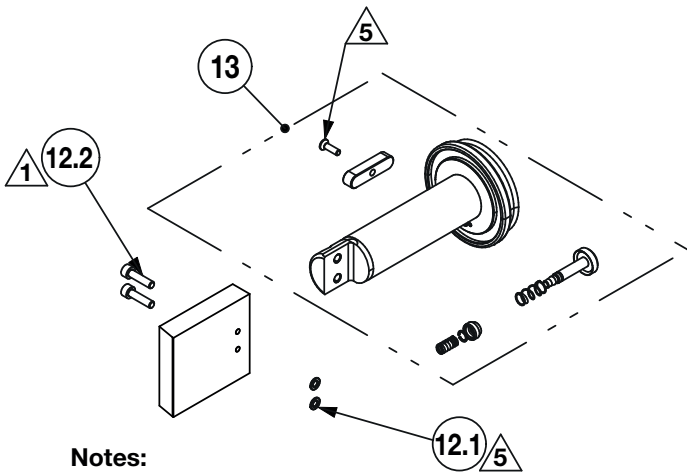
3 Torque to 25 Nm [18 ft-lbs].

Parts List for Figure 5

Item No.	Qty.	Description
6	1	Jumper
7	4	Socket Cap Screw M8 x 25 UNI 5931 Zn

Note: Kit parts available only in kits. Items not sold separately.

Figure 6 - EFBE501704K Piston Kit



Notes:

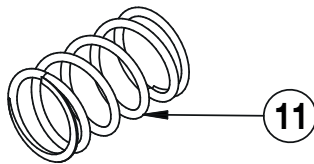
- 1 Torque to 5.98 Nm [52.9 in-lbs].
- 5 Apply Loctite 638.

Parts List for Figure 6

Item No.	Qty.	Description
12.1	2	Grower Washer M5 Zn
12.2	2	Socket Cap Screw M5 x 20 UNI 5931 Zn
13	1	Piston Assembly

Note: Kit parts available only in kits. Items not sold separately.

Figure 7 - EBE2607K Cylinder Spring Kit

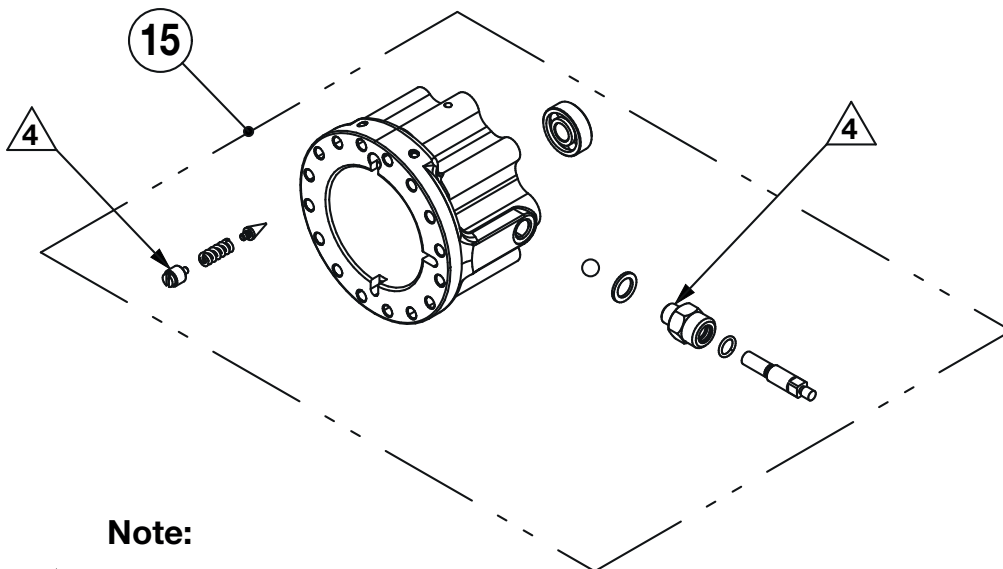


Parts List for Figure 7

Item No.	Qty.	Description
11	1	Spring F.6 x e67 x 5.5 x Lo107 Grounded

Note: This kit contains only one item. (Item 11)

Figure 8 - EFBE501705K Cylinder Body Kit



Note:

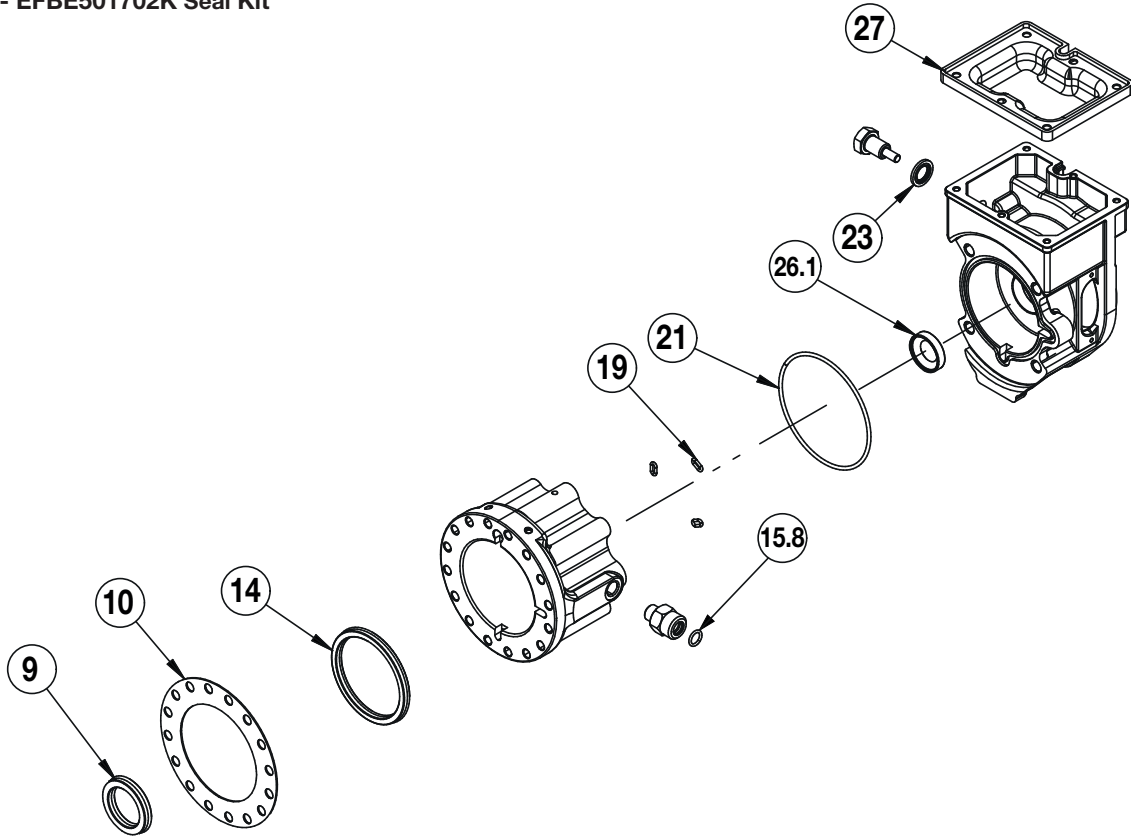
- 4 Apply Loctite 542.

Parts List for Figure 8

Item No.	Qty.	Description
15	1	Cylinder Base Assembly

Note: Kit parts available only in kits. Items not sold separately.

Figure 9 - EFBE501702K Seal Kit

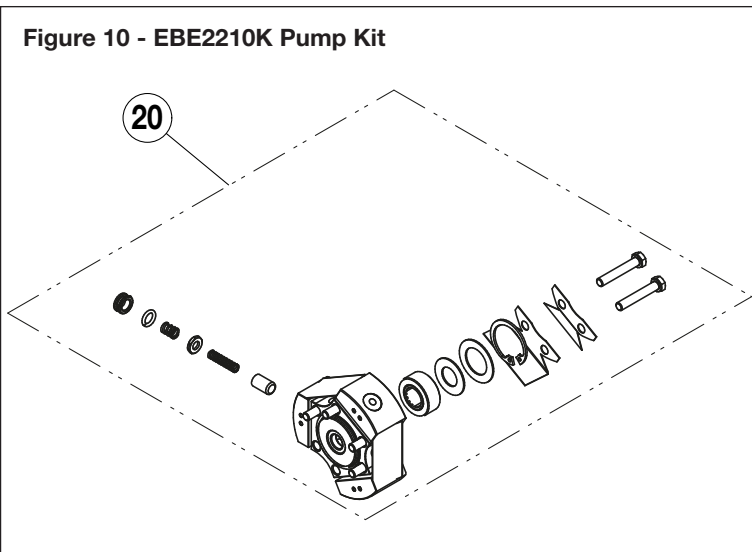


Parts List for Figure 9		
Item No.	Qty.	Description
9	1	Gasket 4432
10	1	Gasket MU20
14	1	Gasket 7565
15.8	1	O-Ring 012 9.25 x 1.78
19	3	O-Ring 6.07 x 1.78
21	1	O-Ring 88.57 x 2.62
23	1	Bonded Seal Washer 1/4"

Parts List for Figure 9 (continued)		
Item No.	Qty.	Description
26.1	1	Oil Seal 17 x 30 x 7
27	1	Diaphragm

Note: Kit parts available only in kits. Items not sold separately.

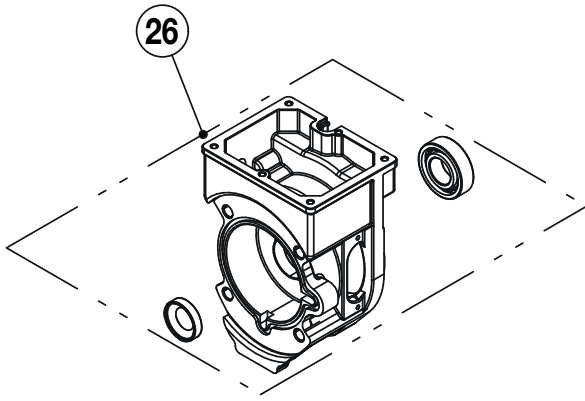
Figure 10 - EBE2210K Pump Kit



Parts List for Figure 10		
Item No.	Qty.	Description
20	1	Pump Assembly

Note: Kit parts available only in kits. Items not sold separately.

Figure 11 - EFBE501710K Tank Kit

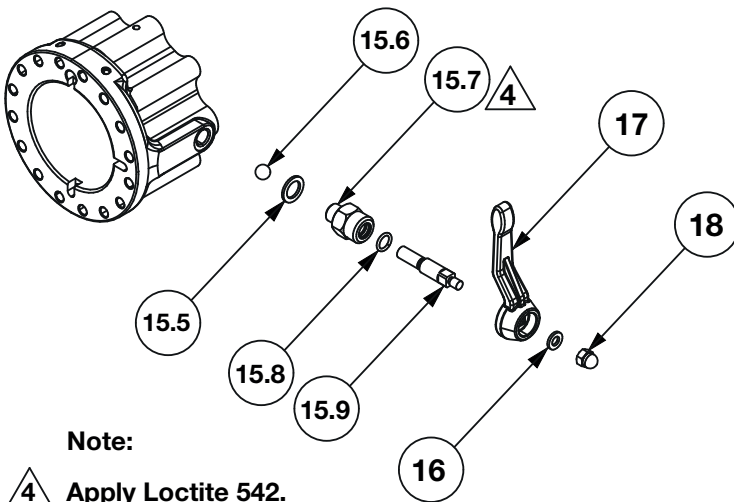


Parts List for Figure 11

Item No.	Qty.	Description
26	1	Tank Assembly

Note: Kit parts available only in kits. Items not sold separately.

Figure 12 - EFBE501707K Release Valve Kit



Note:

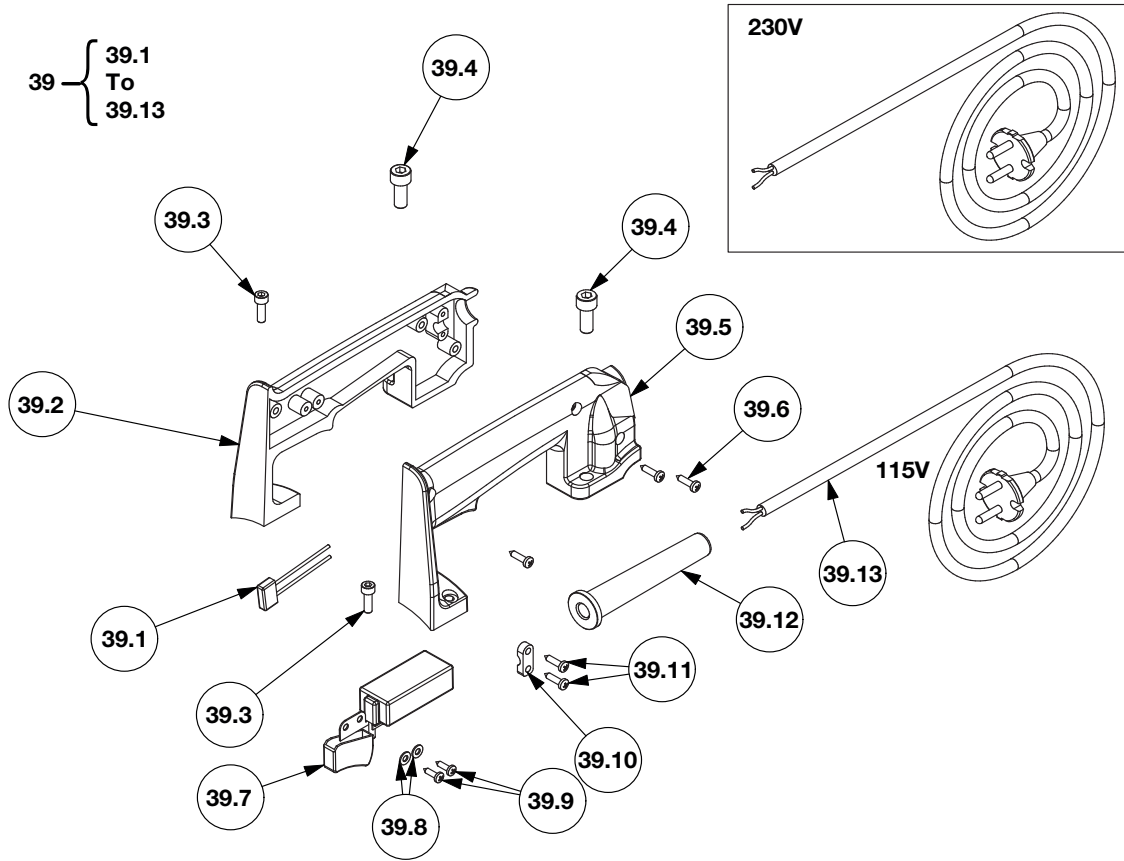
4 Apply Loctite 542.

Parts List for Figure 12

Item No.	Qty.	Description
15.5	1	Flat Washer 12 x 18 x 1.5 Copper
15.6	1	Ball 3/8 D.9.5
15.7	1	Valve Body
15.8	1	O-Ring 012 9.25 x 1.78
15.9	1	Valve Pin
16	1	Flat Washer 6.4 x 12 x 1.6 ISO 7089 Zn
17	1	Lever
18	1	Cap Nut M6 x 10 Brass

Note: Kit parts available only in kits. Items not sold separately.

Figure 13 - EFBE501712K & EFBE501703K Handle Kit



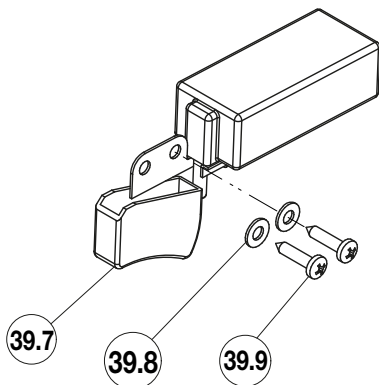
Parts List for Figure 13		
Item No.	Qty.	Description
39	1	Handle Assembly (includes items 39.1 - 39.13)
39.1	1	Interference filter
39.2	1	Right Half-Handle
39.3	2	Socket Cap Screw M5 x 16 UNI 5931 Zn
39.4	2	Socket Cap Screw M8 x 20 UNI 5931 Zn
39.5	1	Left Half-Handle
39.6	3	Pan Head Screw 3.5 x 16 UNI 6954 Zn
39.7	1	Press Switch
39.8	2	Flat Washer M4 UNI 6592 Zn
39.9	2	Pan Head Screw 3.5 x 13 UNI 6954 Zn

Parts List for Figure 13 (continued)		
Item No.	Qty.	Description
39.10	1	Grommet Sleeve
39.11	2	Pan Head Screw 3.9 x 16 UNI 6954 Zn
39.12	1	Grommet Sleeve
39.13	1	Power Supply Cable

Notes:

- Handle Kit EFBE501712K - Includes parts for 115V cutter, Model EFBE7015B.
- Handle Kit EFBE501703K - Includes parts for 230V cutter, Model EFBE7015E.
- Kit parts available only in kits. Items not sold separately.

Figure 14 - EBE2223K & EBE2203K Switch Kit

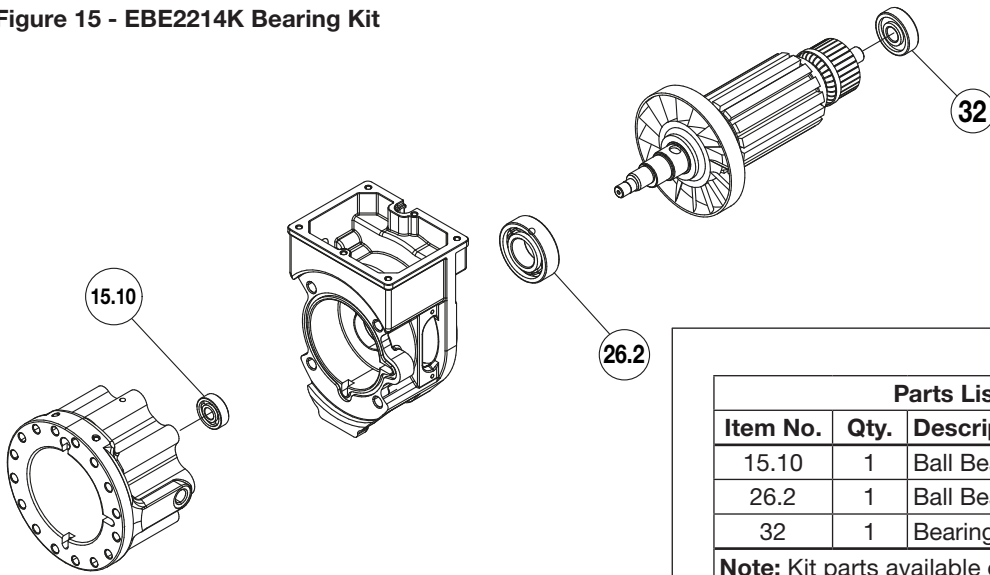


Parts List for Figure 14		
Item No.	Qty.	Description
39.7	1	Press Switch
39.8	2	Flat Washer M4 UNI 6592 Zn
39.9	2	Pan Head Screw 3.5 x 13 UNI 6954 Zn

Notes:

- Switch Kit EBE2223K - Includes switch and hardware for 115V cutter, Model EFBE7015B.
- Switch Kit EBE2203K - Includes switch and hardware for 230V cutter, Model EFBE7015E.
- Kit parts available only in kits. Items not sold separately.

Figure 15 - EBE2214K Bearing Kit

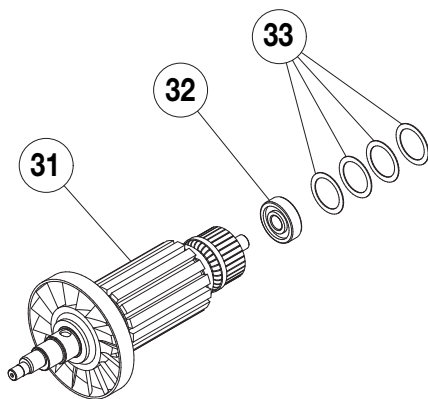


Parts List for Figure 15

Item No.	Qty.	Description
15.10	1	Ball Bearing R-S 22 x 8 x 7 608 C3
26.2	1	Ball Bearing 42 x 20 x 12
32	1	Bearing

Note: Kit parts available only in kits. Items not sold separately.

Figure 16 - EBE2220K & EBE2211K Rotor Kit



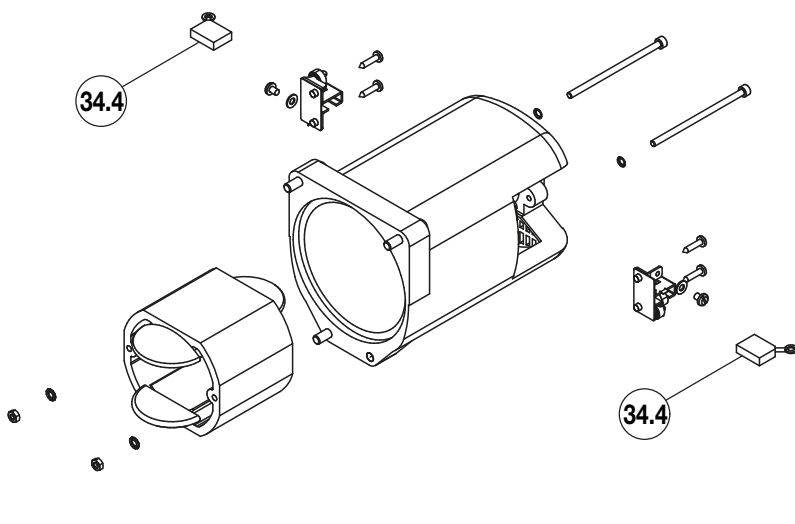
Parts List for Figure 16

Item No.	Qty.	Description
31	1	Rotor Assembly
32	1	Bearing
33	4	Compensating Ring 29,7 x 22,5 x 0,5

Notes:

- Rotor Kit EBE2220K - Includes parts for 115V cutter, Model EFBE7015B.
- Rotor Kit EBE2211K - Includes parts for 230V cutter, Model EFBE7015E.
- Kit parts available only in kits. Items not sold separately.

Figure 17 - EBE2222K and EBE2215K Brush Kit



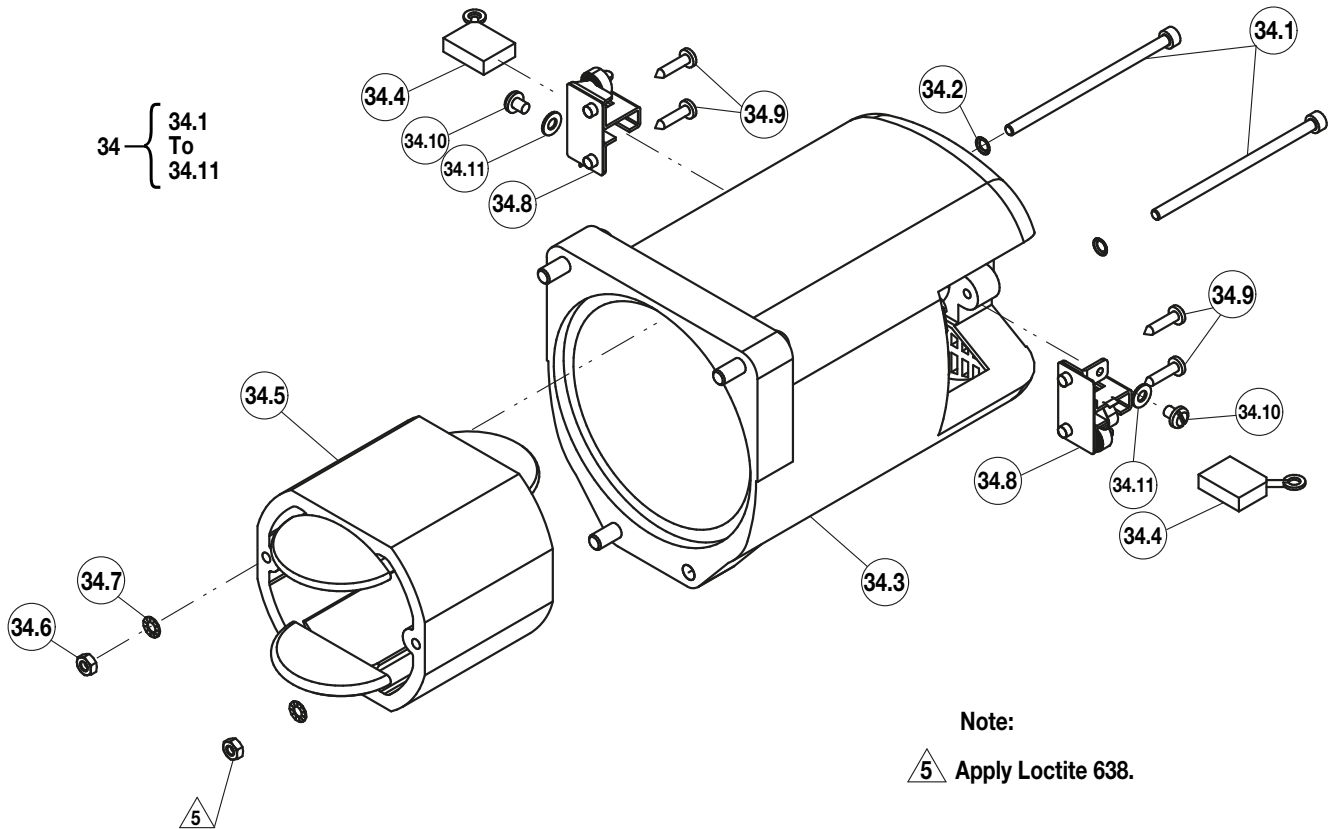
Parts List for Figure 17

Item No.	Qty.	Description
34.4	2	Carbon Brush

Notes:

- Brush Kit EBE2222K - Includes brushes used on 115V cutter, Model EFBE7015B.
- Brush Kit EBE2215K - Includes brushes used on 230V cutter, Model EFBE7015E.
- Carbon brushes are different for 115V and 230V models. Be sure to order the correct kit for your cutter model.
- Kit parts available only in kits. Items not sold separately.

Figure 18 - EBE2221K & EBE2212K Motor Kit

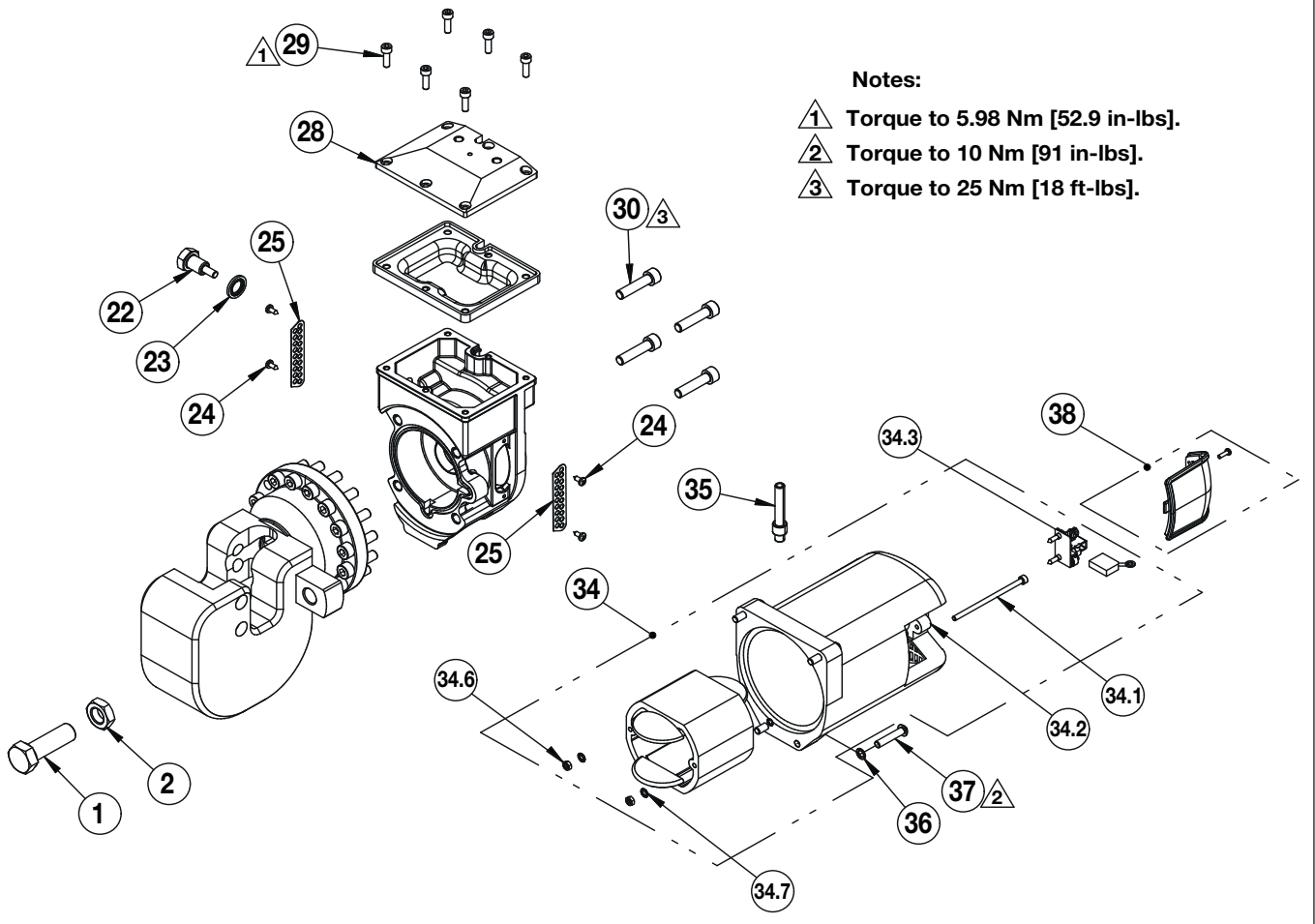


Note:

5 Apply Loctite 638.

Parts List for Figure 18		
Item No.	Qty.	Description
34	1	Motor Assembly (Includes items 34.1 through 34.11)
34.1	2	Socket Cap Screw M4 x 80 UNI5931 Zn
34.2	2	Schnorr Washer M4 Zn
34.3	1	Motor Housing
34.4	2	Carbon Brush
34.5	1	Stator
34.6	2	Nut M4 UNI 5588 Zn
34.7	2	External Tooth Lock Washer D4
34.8	2	Brush Support Assembly MU22N
34.9	4	Pan Head Screw 3.5 x 16 UNI 6954 Zn
34.10	2	Screw TCTC M4 x 5 UNI 6107 Brass
34.11	2	Flat Washer M4 UNI 6592 Brass
Notes:		
<ul style="list-style-type: none"> • Motor Kit EBE2221K - Includes parts used on 115V cutter, Model EFBE7015B. • Motor Kit EBE2212K - Includes parts used on 230V cutter, Model EFBE7015E. • Carbon brush (item 34.4) and stator (item 34.5) are different for 115V and 230V models. Be sure to order the correct kit for your cutter model. • Kit parts available only in kits. Items not sold separately. 		

Figure 19 - EFBE501711K Small Parts Kit



- Notes:**
- ▲1 Torque to 5.98 Nm [52.9 in-lbs].
 - ▲2 Torque to 10 Nm [91 in-lbs].
 - ▲3 Torque to 25 Nm [18 ft-lbs].

Parts List for Figure 19		
Item No.	Qty.	Description
1	1	HXBT Screw M16 x 50 UNI 5739 Zn
2	1	Nut M16 UNI 5589 Zn
22	1	Magnetic Filter
23	4	Screw Self Threading 3.5 x 9.5 UNI 6954 Zn
25	2	Screen
28	1	Diaphragm Housing Lid
29	6	Socket Cap Screw M5 x 16 UNI 5931 Zn
30	4	Socket Cap Screw M8 x 35 UNI 5931 Zn
34.1	1	Socket Cap Screw M4 x 80 UNI5931 Zn
34.2	1	Schnorr Washer M4 Zn
34.3	1	Motor Housing
34.6	2	Nut M4 UNI 5588 Zn
34.7	2	External Tooth Lock Washer D.4
35	1	Grommet Sleeve
36	4	Shnorr Washer M6 Zn
37	4	Button Screw M6 x 35 10.9 UNI 7380 Zn
38	2	Brush Cover Assembly

Notes: Kit parts available only in kits. Items not sold separately.

Figure 20 - DKSCOMP Decal Kit

Notes:

- The decal kit contains decals used on many different cutter models.
- Replace only the decals used on your cutter. Discard the remaining decals in the kit.

NOTES
