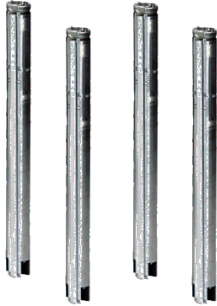


PROJECT: _____	UNIT TAG: _____	QUANTITY: _____
REPRESENTATIVE: _____	TYPE OF SERVICE: _____	DATE: _____
ENGINEER: _____	SUBMITTED BY: _____	DATE: _____
CONTRACTOR: _____	APPROVED BY: _____	DATE: _____
	ORDER NO.: _____	DATE: _____

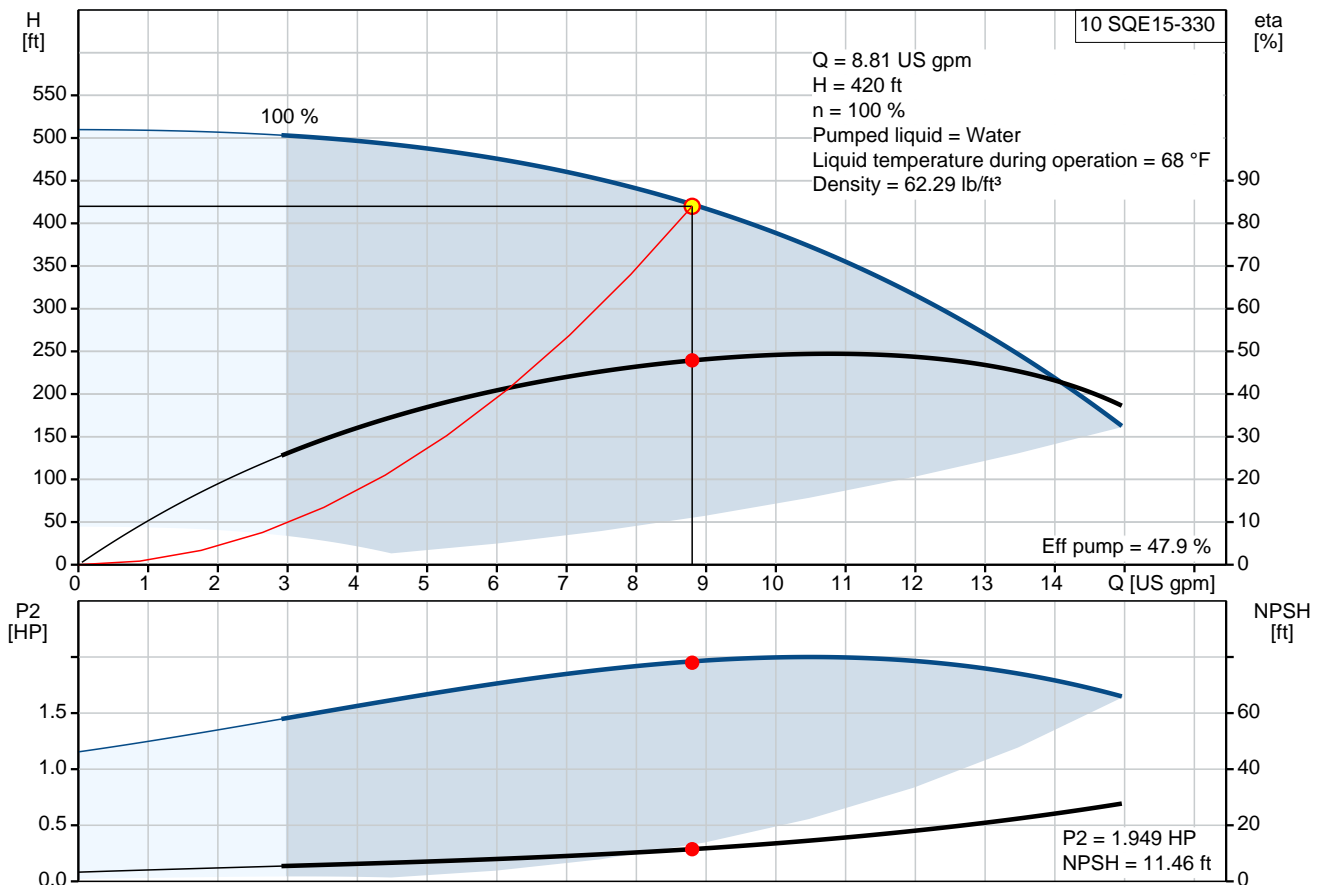


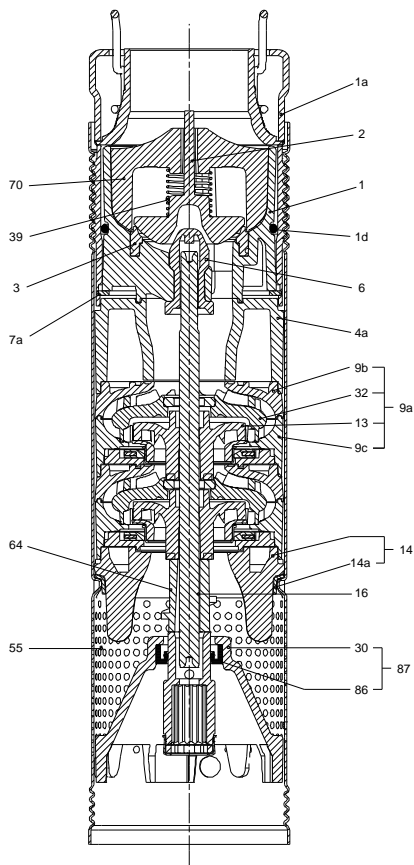
10 SQE15-330

Submersible pumps with variable speed motor

Product photo could vary from the actual product

Conditions of Service		Pump Data		Motor Data	
Flow:	8.81 US gpm	Approvals:	UL, cUL	Rated voltage:	200-240 V
Head:	420 ft	Approvals motor:	UL,CUL	Main frequency:	50 Hz
Efficiency:	_____	Product number:	96160187	Enclosure class:	IP68
Liquid:	Water			Insulation class:	F
Temperature:	68 °F			Motor protection:	Y
NPSH required:	11.46 ft			Thermal protection:	internal
Viscosity:	_____			Motor type:	MSE3
Specific Gravity:	1.000				



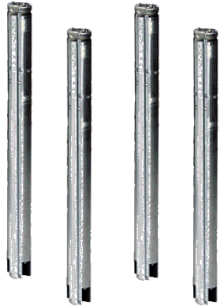


Materials:

Pump: Polyethylene / Stainless steel
DIN W.-Nr. 1.4301

Motor: Stainless steel
1.4301 EN
AISI 304

Tender Text



Product photo could vary from the actual product

Product No.: [96160187](#)

10 SQE15-330

3" multi-stage, submersible pump designed for domestic water supply, liquid transfer in tanks, irrigation and environmental applications. The pump has "floating" impellers, each with its own tungsten carbide/ceramic bearing.

The pump features soft starting and protection against dry-running, upthrust, overvoltage, undervoltage, overload and overtemperature.

The motor is a one-phase motor of the permanent magnet rotor type ensuring optimum efficiency within a wide load range.

The motor is fitted with a replaceable cable plug.

Liquid:

Pumped liquid: Water
Maximum liquid temperature: 95 °F
Max liquid temperature at 0.15 m/sec: 95 °F
Liquid temperature during operation: 68 °F
Density: 62.29 lb/ft³

Technical:

Speed for pump data: 10700 rpm
Actual calculated flow: 8.81 US gpm
Resulting head of the pump: 420 ft
Approvals on nameplate: UL, cUL
Approvals on motor nameplate: UL,CUL
Curve tolerance: ISO9906:2012 3B

Materials:

Pump: Polyethylene / Stainless steel
DIN W.-Nr. 1.4301
Motor: Stainless steel
1.4301 EN
AISI 304

Installation:

Pump outlet: NPT 1 1/4
Minimum borehole diameter: 2.99 in

Electrical data:

Motor type: MSE3



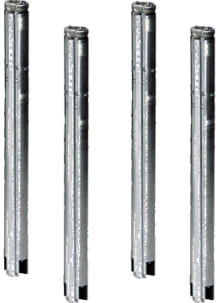
Company name:

Created by:

Phone:

Date: 2/22/2018

Power input - P1: 2.54 kW
Rated power - P2: 2.5 HP
Main frequency: 50 Hz
Rated voltage: 1 x 200-240 V
Rated current: 12.3 A
Power factor: 1,00
Rated speed: 10700 rpm
Start. method: direct-on-line
Enclosure class (IEC 34-5): IP68
Insulation class (IEC 85): F
Length of cable: 4.922 ft

Position	Count	Description
	1	<p>10 SQE15-330</p>  <p style="text-align: right;">Product photo could vary from the actual product</p> <p>Product No.: 96160187 3" multi-stage, submersible pump designed for domestic water supply, liquid transfer in tanks, irrigation and environmental applications. The pump has "floating" impellers, each with its own tungsten carbide/ceramic bearing.</p> <p>The pump features soft starting and protection against dry-running, upthrust, overvoltage, undervoltage, overload and overtemperature.</p> <p>The motor is a one-phase motor of the permanent magnet rotor type ensuring optimum efficiency within a wide load range. The motor is fitted with a replaceable cable plug.</p> <p>Liquid: Pumped liquid: Water Maximum liquid temperature: 95 °F Max liquid temperature at 0.15 m/sec: 95 °F Liquid temperature during operation: 68 °F Density: 62.29 lb/ft³</p> <p>Technical: Speed for pump data: 10700 rpm Actual calculated flow: 8.81 US gpm Resulting head of the pump: 420 ft Approvals on nameplate: UL, cUL Approvals on motor nameplate: UL, CUL Curve tolerance: ISO9906:2012 3B</p> <p>Materials: Pump: Polyethylene / Stainless steel DIN W.-Nr. 1.4301 Motor: Stainless steel 1.4301 EN AISI 304</p> <p>Installation: Pump outlet: NPT 1 1/4 Minimum borehole diameter: 2.99 in</p> <p>Electrical data: Motor type: MSE3 Power input - P1: 2.54 kW Rated power - P2: 2.5 HP</p>



Company name:

Created by:

Phone:

Date:

2/22/2018

Position	Count	Description
		Main frequency: 50 Hz Rated voltage: 1 x 200-240 V Rated current: 12.3 A Power factor: 1,00 Rated speed: 10700 rpm Start. method: direct-on-line Enclosure class (IEC 34-5): IP68 Insulation class (IEC 85): F Length of cable: 4.922 ft



Company name:

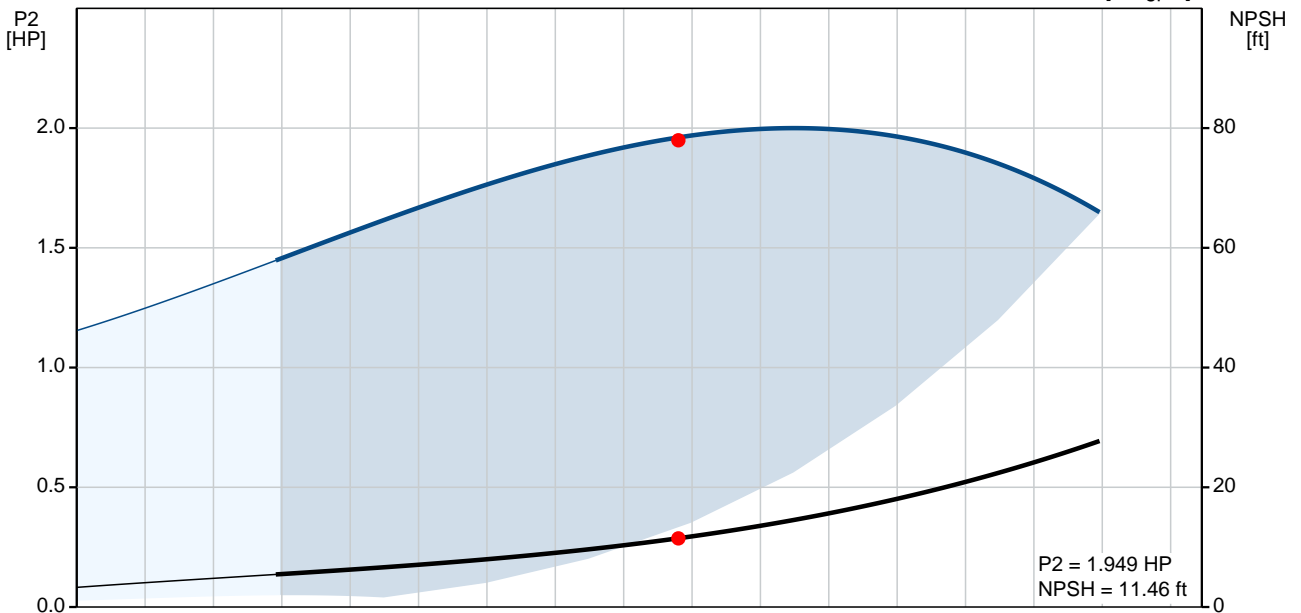
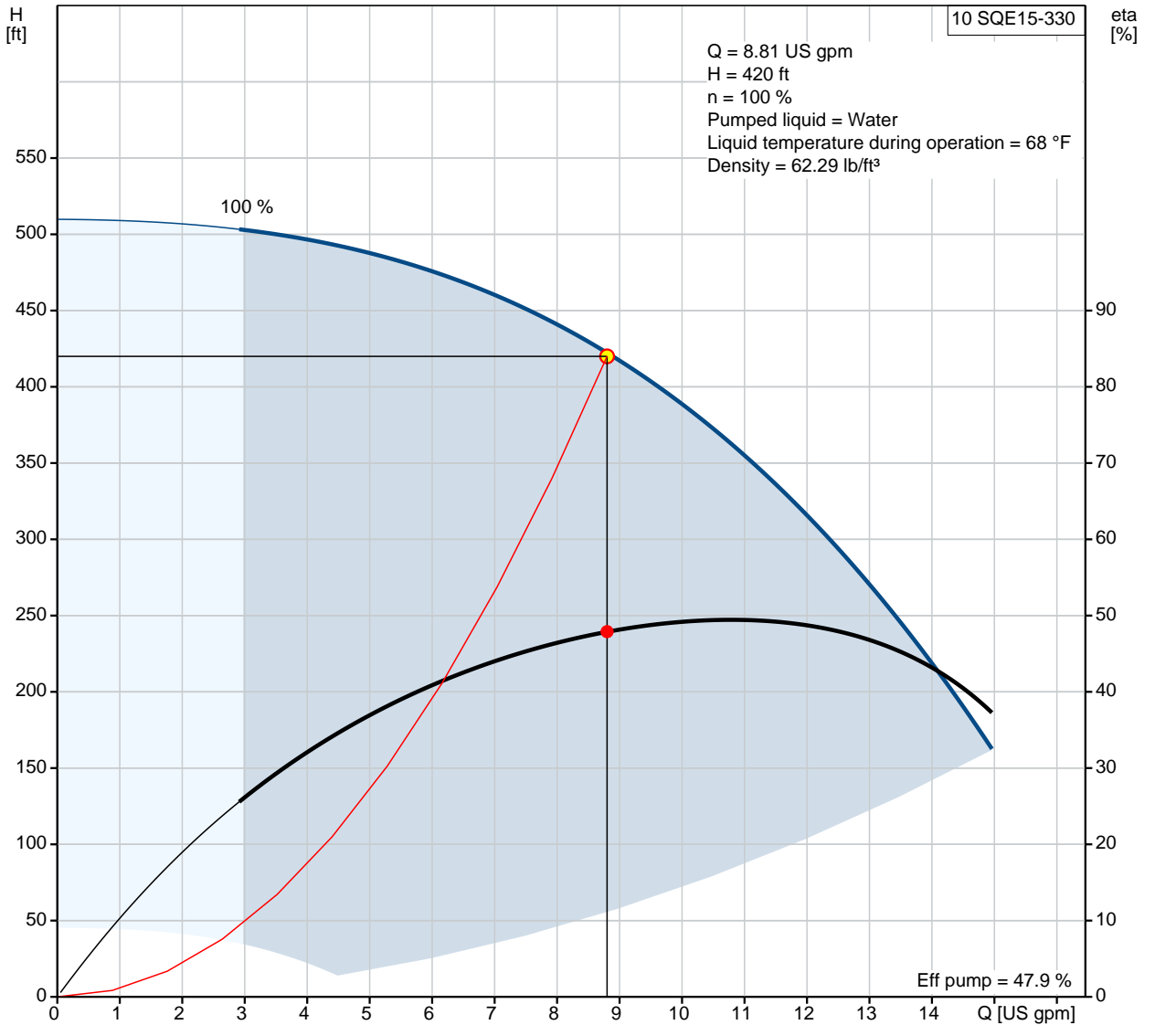
Created by:

Phone:

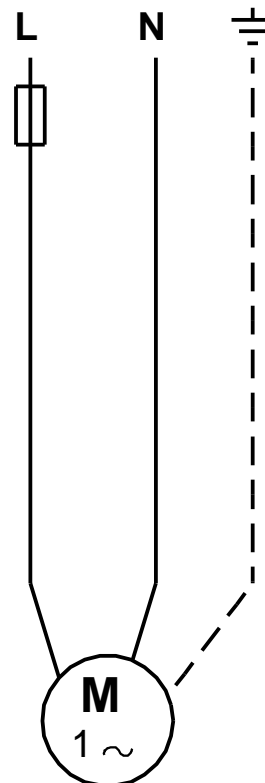
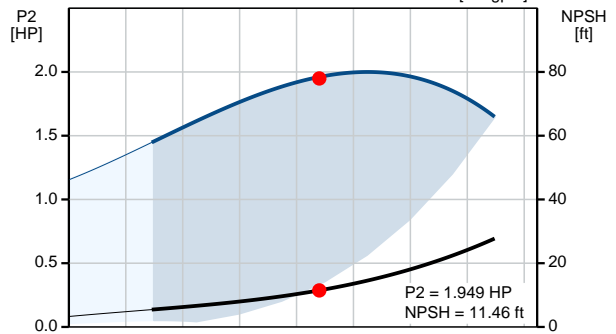
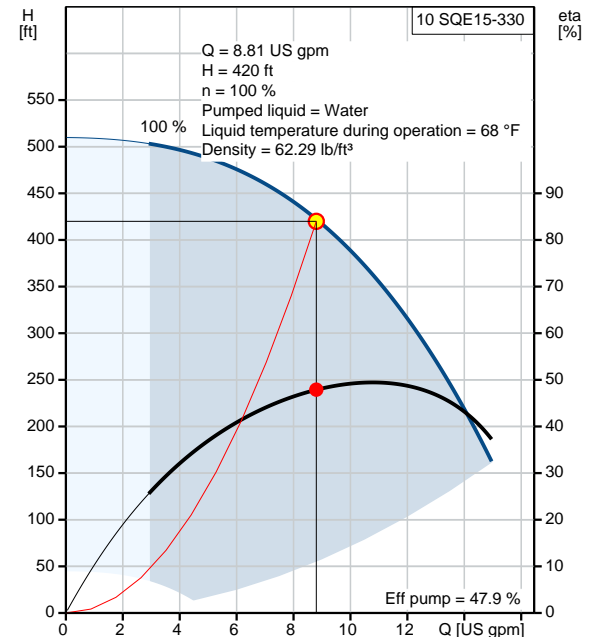
Date:

2/22/2018

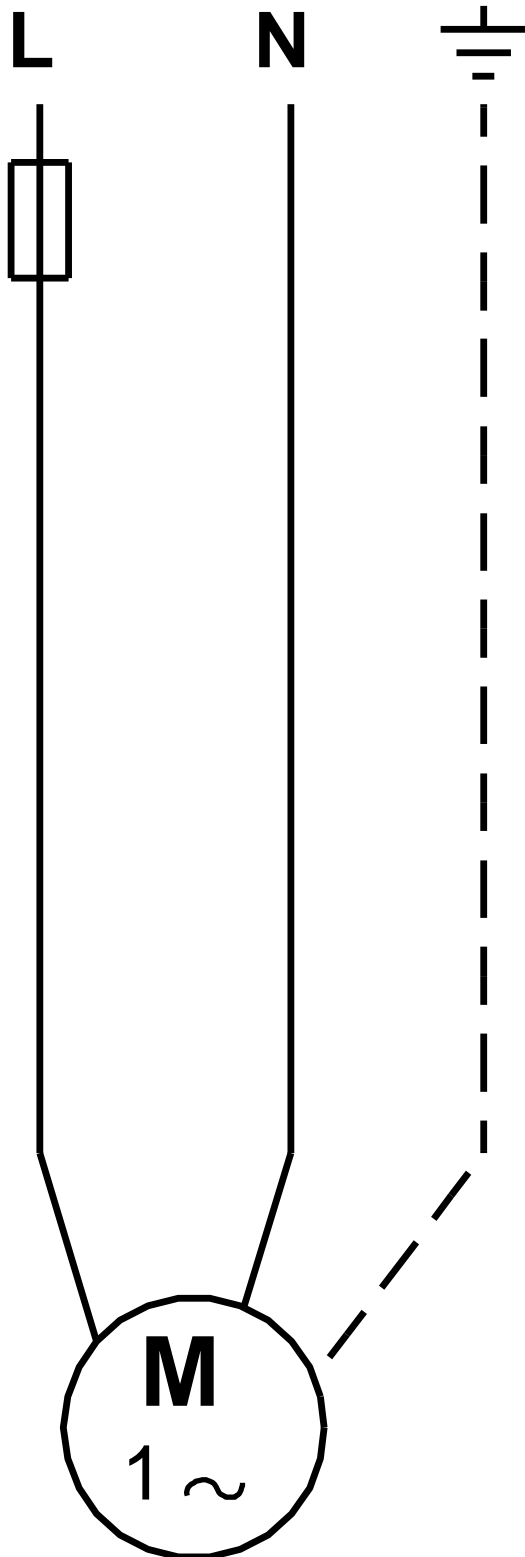
96160187 10 SQE15-330 50 Hz



Description	Value
General information:	
Product name:	10 SQE15-330
Product No.:	96160187
EAN:	5700398712909
Technical:	
Speed for pump data:	10700 rpm
Actual calculated flow:	8.81 US gpm
Resulting head of the pump:	420 ft
Stages:	7
Approvals on nameplate:	UL, cUL
Approvals on motor nameplate:	UL,CUL
Curve tolerance:	ISO9906:2012 3B
Pump Number:	96397415
Model:	B
Valve:	pump with built-in non-return valve
Materials:	
Pump:	Polyethylene / Stainless steel DIN W.-Nr. 1.4301
Motor:	Stainless steel 1.4301 EN AISI 304
Installation:	
Pump outlet:	NPT 1 1/4
Minimum borehole diameter:	2.99 in
Liquid:	
Pumped liquid:	Water
Maximum liquid temperature:	95 °F
Max liquid temperature at 0.15 m/sec:	95 °F
Liquid temperature during operation:	68 °F
Density:	62.29 lb/ft³
Electrical data:	
Motor type:	MSE3
Power input - P1:	2.54 kW
Rated power - P2:	2.5 HP
Main frequency:	50 Hz
Rated voltage:	1 x 200-240 V
Rated current:	12.3 A
Power factor:	1,00
Rated speed:	10700 rpm
Start. method:	direct-on-line
Enclosure class (IEC 34-5):	IP68
Insulation class (IEC 85):	F
Motor protection:	Y
Thermal protec:	internal
Length of cable:	4.922 ft
Motor Number:	96160542
Controls:	
CU 300/CU 301:	communication with CU 300/CU 301 possible
Others:	
Sales region:	Namreg



96160187 10 SQE15-330 50 Hz



All units are [mm] unless otherwise presented.



Company name:

Created by:

Phone:

Date: 2/22/2018

Order Data:

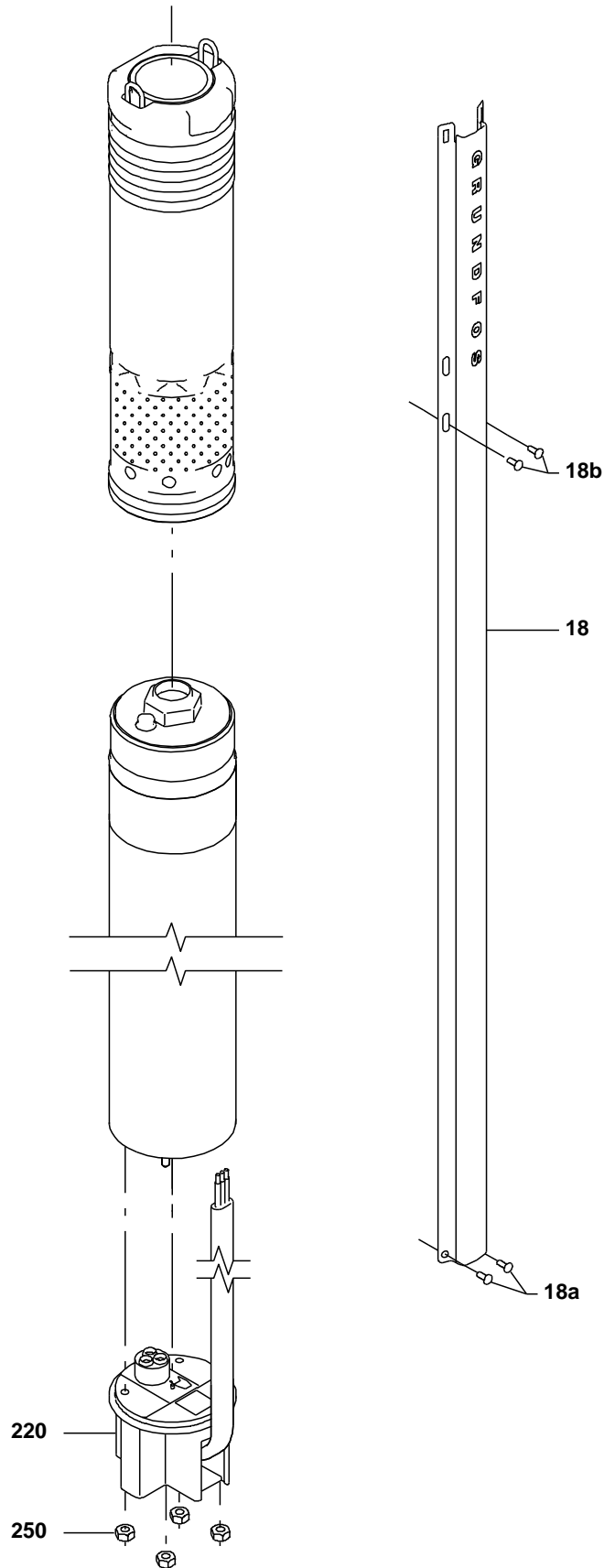
Product name: 10 SQE15-330

Amount: 1

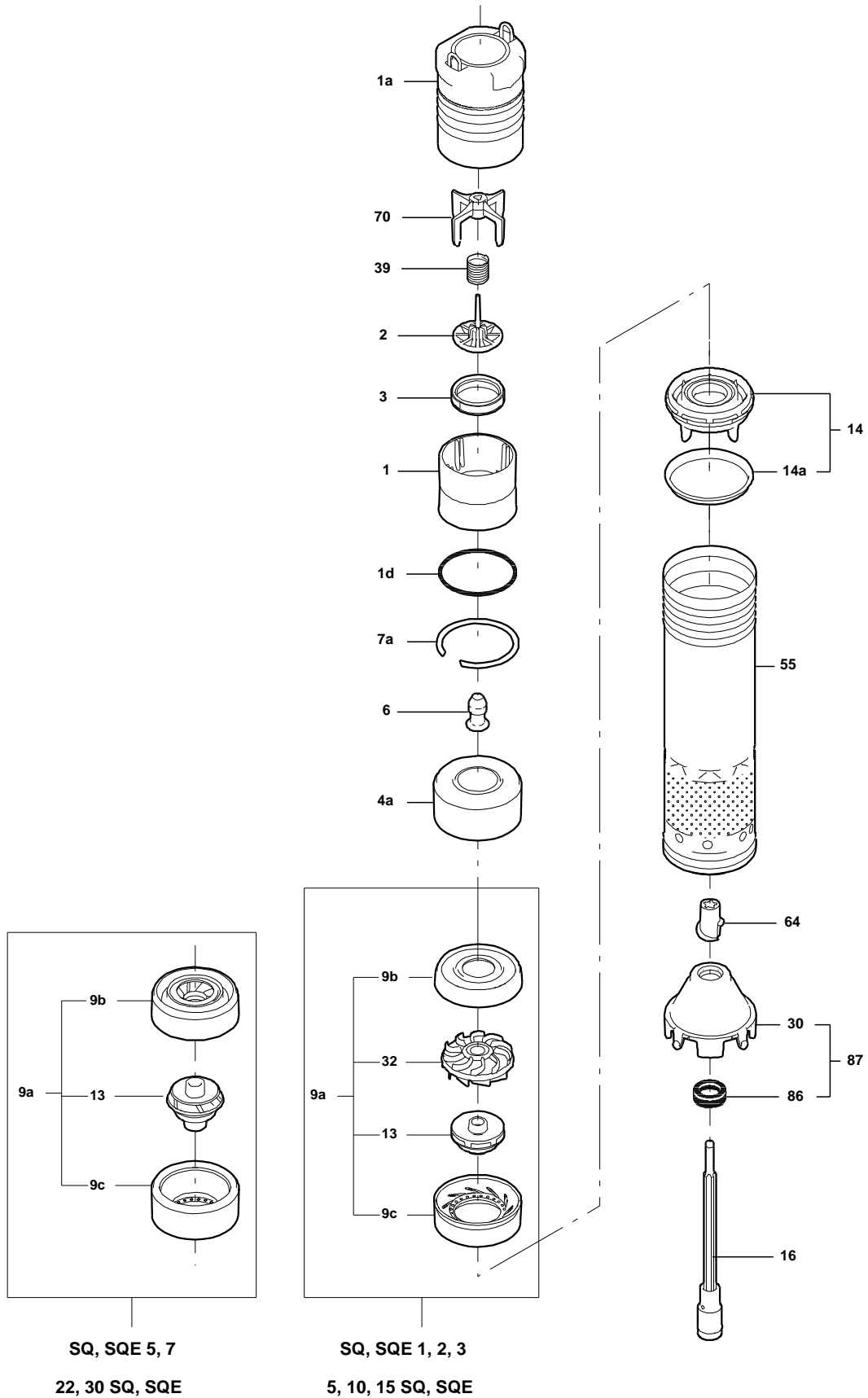
Product No.: 96160187

Total: Price on request

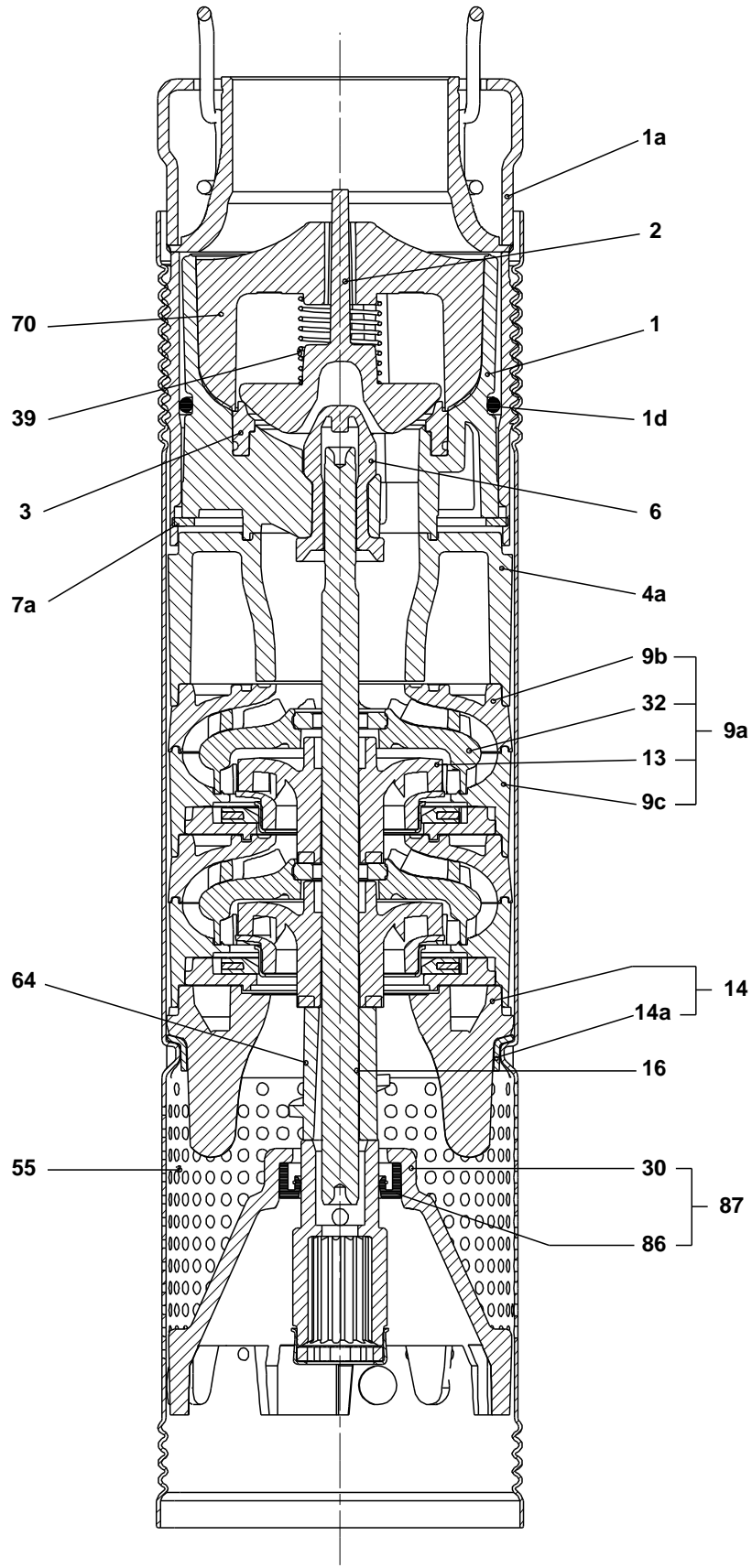
Exploded view (tm021901 2401)



Exploded view (tm024206 0202)

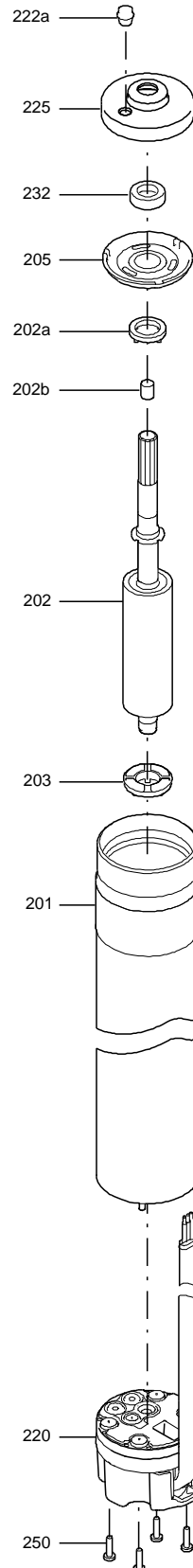


Sectional drawing (tm024207 0202)

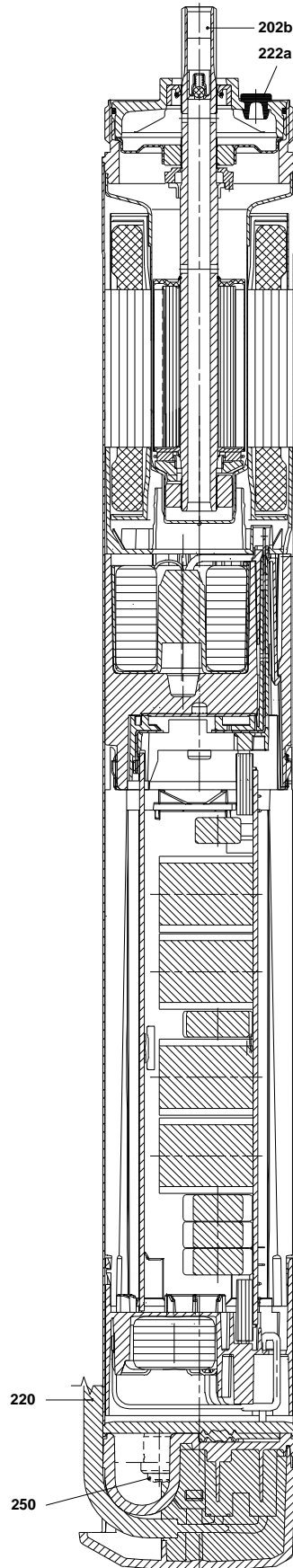


TM024207

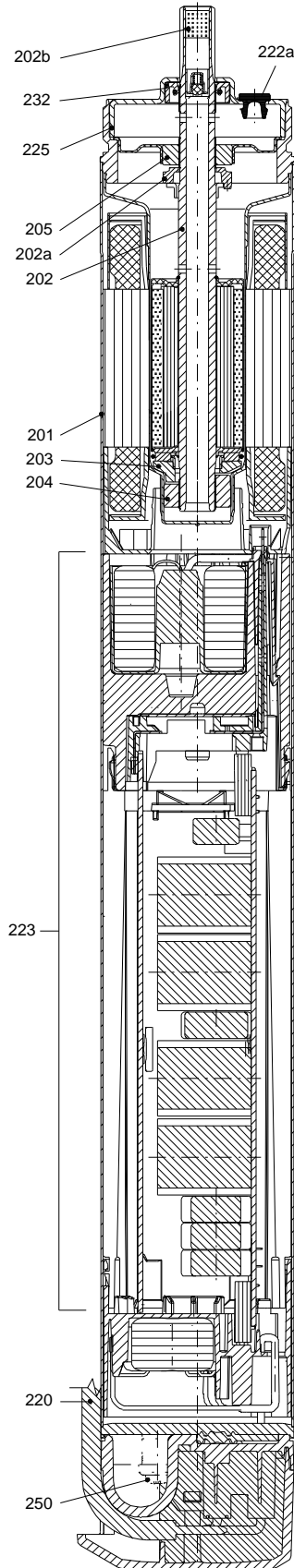
Exploded view (TM012016 3504)



Sectional drawing (TM038215)



Sectional drawing (TM011953 3504)





Company name:

Created by:

Phone:

Date:

2/22/2018

Parts list 10 SQE15-330, Prod number 96160187

Valid from 3.12.2012 (1249)

Position	Description	Annotation	Classification data	Part No.	Count	Unit
-	Pump w/o motor				1	pcs
1a	Discharge chamber		Thread: NPT 1 1/4"		1	
16	Shaft cpl.		Length: 232,6		1	
55	Pump sleeve				1	
-	Motor				1	pcs
	Cable w/plug				1	
250	Pan head screw				4	
18	Cable guard				1	pcs