



UPC: 019813834061

Color: White

Weight: 0.0 lbs

Project:	Type:
Prepared By:	Date:

Technical Specifications

Performance

Product Type:

A-Line

Input Wattage:

10W

Lumens:

800lm

Efficacy:

80lm/W

L70 Lifespan:

15,000-Hour LED lifespan based on IES LM-70 results

Wattage Equivalency:

60W Incandescent

Compliance

UL Listed:

Suitable for damp locations

Enclosed Fixtures:

Suitable for use in enclosed fixtures

LED Characteristics

Color Temperature:

3500K

Color Accuracy (CRI):

80 CRI

Beam Angle:

230°

Electrical

Power Factor:

0.7

Dimmable:

Yes

Operating Temperature:

-20°C to 45°C (-4°F to 113°F)

Input Voltage:

120V

Operating Frequency:

60 Hz

Construction

Bulb Shape:

A19

Installation

Base Type:

E26 Edison

Other

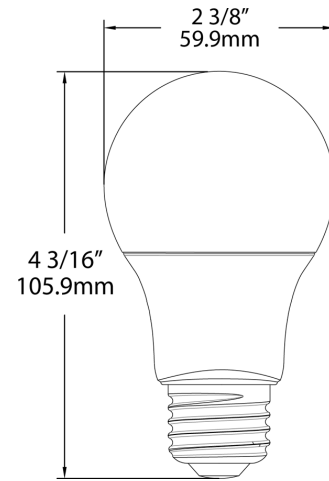
Warranty:

RAB warrants that our LED products will be free from defects in materials and workmanship for a period of three (3) years from the date of delivery to the end user, including coverage of light output, color stability, driver performance and fixture finish. RAB's warranty is subject to all terms and conditions found at rablighting.com/warranty.

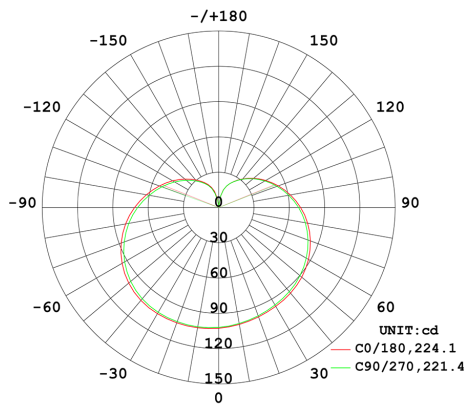
Case and Pallet Dimensions

	QTY	LENGTH (in)	WIDTH (in)	HEIGHT (in)
CASE	12	5.2	4.9	15
PALLET	2880	41.34	47.24	45.47

Dimension



Light Distribution



Features

- Replacement for High-output Incandescent or lower wattage metal halide and high pressure sodium lamps
- Rated for use in enclosed and open fixtures in dry or damp locations
- Ideal for post top, bollards, and outdoor corridor lighting
- Suitable for use in a base-up or base-down position

Ordering Matrix

Family	Wattage	Base Type	CRI/Color Temp	Dimmable
A19	10	E26	835	DIM
	9 = 9W 10 = 10W 13 = 13W 15 = 15W 16 = 16W 5 = 5W 23 = 23W	E26 = E26 Base GU24 = GU24 Base	830 = 80 CRI, 3000K 827 = 80 CRI, 2700K 840 = 80 CRI, 4000K 850 = 80 CRI, 5000K 835 = 80 CRI, 3500K	DIM = Dimmable DIM 120V = Dimmable