



Color: Bronze

Weight: 35.9 lbs

<b>Project:</b>	<b>Type:</b>
<b>Prepared By:</b>	<b>Date:</b>

Driver Info		LED Info	
Type	Constant Current	Watts	50W
120V	0.46A	Color Temp	5000K (Cool)
208V	0.27A	Color Accuracy	71 CRI
240V	0.23A	L70 Lifespan	100,000 Hours
277V	0.20A	Lumens	7,517 lm
Input Watts	55.4W	Efficacy	135.7 lm/W

## Technical Specifications

### Compliance

#### UL Listed:

Suitable for wet locations as a downlight

#### DLC Listed:

This product is on the Design Lights Consortium (DLC) Qualified Products List and is eligible for rebates from DLC Member Utilities. DLC Product Code: P0000178Y

#### IP Rating:

Ingress protection rating of IP66 for dust and water

#### IESNA LM-79 & LM-80 Testing:

RAB LED luminaires and LED components have been tested by an independent laboratory in accordance with IESNA LM-79 and LM-80.

### Performance

#### Lifespan:

100,000-Hour LED lifespan based on IES LM-80 results and TM-21 calculations

#### Wattage Equivalency:

Equivalent to 150W Metal Halide

### Construction

#### IES Classification:

The Type IV distribution (also known as a Forward Throw) is especially suited for mounting on the sides of buildings and walls, and for illuminating the perimeter of parking areas. It produces a semicircular distribution with essentially the same candlepower at lateral angles from 90° to 270°.

#### Ambient Temperature:

Suitable for use in up to 40°C (104°F)

#### Cold Weather Starting:

The minimum starting temperature is -40°C (-40°F)

#### Thermal Management:

Superior thermal management design with external Air-Flow fins provides maximum operational life, even in high ambient temperature environments

#### Housing:

Die-cast aluminum housing, lens frame and mounting arm

#### Reflector:

Specular vacuum-metallized polycarbonate

#### Gaskets:

High-temperature silicone gaskets

### EPA:

- 1 Fixture: 0.75
- 2 Fixtures at 90°: 1.2
- 2 Fixtures at 180°: 2.4
- 3 Fixtures at 90°: 2.4
- 4 Fixtures at 90°: 1.8

### Finish:

Formulated for high durability and long-lasting color

### Green Technology:

Mercury and UV free. RoHS-compliant components.

### LED Characteristics

#### LEDs:

Multi-chip, high-output, long-life LEDs

#### Color Consistency:

7-step MacAdam Ellipse binning to achieve consistent fixture-to-fixture color

#### Color Stability:

LED color temperature is warrantied to shift no more than 200K in color temperature over a 5-year period

#### Color Uniformity:

RAB's range of Correlated Color Temperature follows the guidelines of the American National Standard for Specifications for the Chromaticity of Solid State Lighting (SSL) Products, ANSI C78.377-2017.

## Technical Specifications (continued)

### Electrical

---

**Driver:**

Constant Current, Class 2, 1400mA, 100-277V,  
50-60Hz, 0.8A, Power Factor 99%

**THD:**

6.1% at 120V, 9.4% at 277V

**Power Factor:**

99.6% at 120V, 96% at 277V

**Surge Protection:**

6kV surge suppression protection tested in  
accordance with IEEE/ANSI C62.41.2.

### Installation

---

**Mounting:**

Universal mounting arm compatible for hole spacing  
patterns from 1" to 5 1/2" center to center. Round  
Pole Adaptor plate included as a standard. Easy slide  
and lock to mount fixture with ease. Round pole  
diameter must be >4" to mount fixtures at 90°  
orientation.

### Other

---

**Patents:**

The ALED™ design is protected by patents pending  
in the U.S., Canada, China, Taiwan and Mexico.

**BAA Compliance:**

Click [here](#) for BAA compliance.

**Warranty:**

RAB warrants that our LED products will be free from  
defects in materials and workmanship for a period of  
five (5) years from the date of delivery to the end  
user, including coverage of light output, color  
stability, driver performance and fixture finish. RAB's  
warranty is subject to all terms and conditions found  
at [rablighting.com/warranty](http://rablighting.com/warranty).

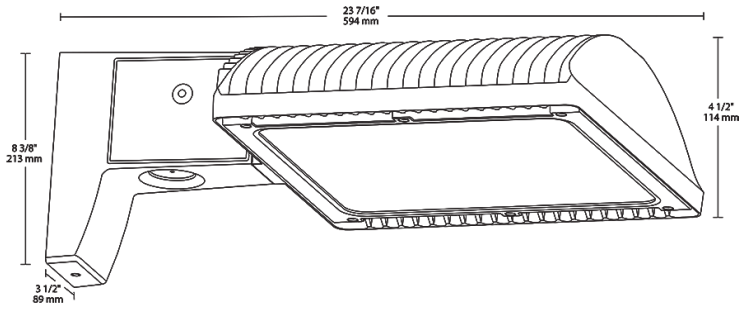
### Optical

---

**BUG Rating:**

B0 U0 G2

## Dimensions



## Features

- 66% energy cost savings vs. HID
- 100,000-hour LED lifespan
- 5-Year, No-Compromise Warranty

## Ordering Matrix

Family	Optics	Wattage	Mounting	Color Temp	Finish	Driver Options	Options	Other Options
ALED	4T	50						
	3T = Type III 2T = Type II 4T = Type IV	50 = 50W 78 = 78W 105 = 105W 125 = 125W 150 = 150W	Blank = Pole mount SF = Slipfitter	Blank = 5000K Cool N = 4000K Neutral Y = 3000K Warm	K = Black W = White Blank = Bronze RG = Roadway Gray	Blank = 120-277V /480 = 480V /BL = Bi-Level /D10 = 0-10V Dimming /480/D10 = 480V, 0-10V Dimming	/PCS = 120V Swivel Photocell /WS4 = Multi-Level Motion Sensor 40 ft /WS2 = Multi-Level Motion Sensor 20 ft /PCT4 = 480V Twistlock Photocell /PCS4 = 480V Swivel Photocell /PCT = 120-277V Twistlock Photocell /PCS2 = 277V Swivel Photocell /LC = Lightcloud Blank = No Option	Blank = Standard USA = BAA Compliant