



High output LED pole top area light with IES type V circular distribution. Wide and uniform 360 degree pattern ideal for large outdoor areas such as parking lots, corporate parks, and retail settings.

Color: Black

Weight: 21.8 lbs

<b>Project:</b>	<b>Type:</b>
<b>Prepared By:</b>	<b>Date:</b>

Driver Info		LED Info	
Type	Constant Current	Watts	26W
120V	0.22A	Color Temp	4000K (Neutral)
208V	0.13A	Color Accuracy	70 CRI
240V	0.11A	L70 Lifespan	100,000 Hours
277V	0.10A	Lumens	3,646 lm
Input Watts	26.1W	Efficacy	139.7 lm/W

**Technical Specifications**

**Compliance**

**UL Listed:**

Suitable for wet locations

**IESNA LM-79 & LM-80 Testing:**

RAB LED luminaires and LED components have been tested by an independent laboratory in accordance with IESNA LM-79 and LM-80.

**DLC Listed:**

This product is on the Design Lights Consortium (DLC) Qualified Products List and is eligible for rebates from DLC Member Utilities. Designed to meet DLC 5.1 requirements.  
DLC Product Code: PSC26NZW

**LED Characteristics**

**LEDs:**

High-output, long-life LEDs

**Color Consistency:**

7-step MacAdam Ellipse binning to achieve consistent fixture-to-fixture color

**Color Stability:**

LED color temperature is warrantied to shift no more than 200K in color temperature over a 5-year period

**Color Uniformity:**

RAB's range of Correlated Color Temperature follows the guidelines of the American National Standard for Specifications for the Chromaticity of Solid State Lighting (SSL) Products, ANSI C78.377-2017.

**Performance**

**Lifespan:**

100,000-Hour LED lifespan based on IES LM-80 results and TM-21 calculations

**Wattage Equivalency:**

Equivalent to 100W Metal Halide

**Construction**

**Cold Weather Starting:**

The minimum starting temperature is -40°C (-40°F)

**Maximum Ambient Temperature:**

Suitable for use in up to 40°C (104°F)

**Effective Projected Area:**

EPA = 1.2

**Thermal Management:**

Superior thermal management with external air-flow fins

**Housing:**

Precision die-cast aluminum, Type V distribution

**Support Arms:**

Extruded aluminum

**Lens:**

Clear tempered glass lens

**Reflector:**

Specular vacuum-metallized polycarbonate, Type V distribution

**Gaskets:**

High-temperature silicone

**Finish:**

Formulated for high durability and long-lasting color

**Green Technology:**

Mercury and UV free. RoHS-compliant components.

**Optical**

**BUG Rating:**

B2 U0 G1

**Other**

**Patents:**

The designs of the ALED5T52 are protected by patents pending in US, Canada, China, Taiwan and Mexico

## Technical Specifications (continued)

### Warranty:

RAB warrants that our LED products will be free from defects in materials and workmanship for a period of five (5) years from the date of delivery to the end user, including coverage of light output, color stability, driver performance and fixture finish. RAB's warranty is subject to all terms and conditions found at [rablighting.com/warranty](http://rablighting.com/warranty).

### Electrical

#### Drivers:

Constant Current, Class 2 with 6kV surge protection, 120-277VAC, 50/60 Hz, 120V: 0.22A, 208V: 0.13A, 240V: 0.11A, 277V: 0.10A

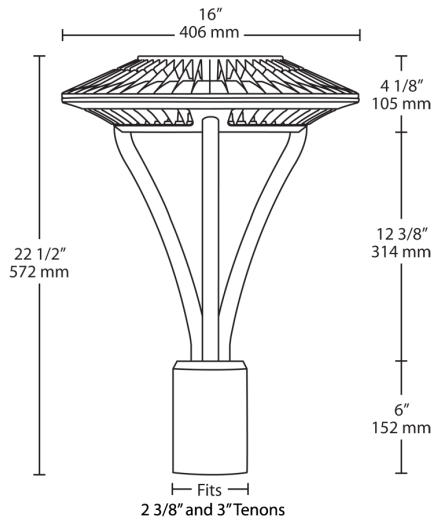
#### THD:

5.67% at 120V, 6.72% at 277V

#### Power Factor:

99.6% at 120V, 96.4% at 277V

## Dimensions



## Features

- IES type V (circular) distribution
- 100,000-hour LED lifespan
- Compatible with standard 2 3/8" and 3" tenons
- "Air-Flow" fins for maximum heat dissipation
- 5-Year, No-Compromise Warranty

## Ordering Matrix

Family	Distribution	Wattage	Color Temp	Finish	Driver Option	Options	Other Options
ALED	5T	26	N	K			
	5T = Type V	26 = 26W 52 = 52W 78 = 78W	Blank = 5000K Cool N = 4000K Neutral Y = 3000K Warm	Blank = Bronze W = White K = Black RG = Gray	Blank = 120-277V /480/D10 = 480V w/Dimmable /480 = 480V /BL = Bi-Level /D10 = Dimmable	Blank = No Option /LC = Lightcloud /PCT = 120-277V Twistlock Photocell /PCT4 = 480V Twistlock Photocell	Blank = Standard USA = BAA Compliant