



The versatile, low-cost, low-profile wall pack. BRISK™ - efficient and affordable LED light.

Color: Bronze

Weight: 2.0 lbs

Project:

Type:

Prepared By:

Date:

Driver Info

Type	Constant Current
120V	0.08A
208V	0.05A
240V	0.04A
277V	0.04A
Input Watts	8.3W

LED Info

Watts	9W
Color Temp	4000K (Neutral)
Color Accuracy	72 CRI
L70 Lifespan	60,000 Hours
Lumens	1,162 lm
Efficacy	140 lm/W

Technical Specifications

Compliance

UL Listed:

Suitable for wet locations

IESNA LM-79 & LM-80 Testing:

RAB LED luminaires and LED components have been tested by an independent laboratory in accordance with IESNA LM-79 and LM-80.

IP Rating:

Ingress protection rating of IP66 for dust and water

Trade Agreements Act Compliant:

This product is a product of Cambodia and a "designated country" end product that complies with the Trade Agreements Act

Performance

Lifespan:

60,000-Hour LED lifespan based on IES LM-80 results and TM-21 calculations

Wattage Equivalency:

Equivalent to 35W HPS or 50W Metal Halide

LED Characteristics

LEDs:

Long-life, high-efficacy, surface-mount LEDs

Color Uniformity:

RAB's range of Correlated Color Temperature follows the guidelines of the American National Standard for Specifications for the Chromaticity of Solid State Lighting (SSL) Products, ANSI C78.377-2017.

Electrical

Driver:

Constant Current, Class 2, 50/60Hz, 120V: 0.08A, 208V: 0.05A, 240V: 0.04A, 277V: 0.04A

THD:

17.78% at 120V, 22.15% at 277V

Power Factor:

98.4% at 120V, 91.7% at 277V

Surge Protection:

2.5kV

Optical

BUG Rating:

B0 U3 G1

Construction

Maximum Ambient Temperature:

Suitable for use in up to 40°C (104°F)

Cold Weather Starting:

The minimum starting temperature is -30°C (-22°F)

Housing:

Precision die-cast aluminum

Reflector:

Specular

Lens:

Diffused acrylic

Gaskets:

Silicone foam

Finish:

Formulated for high durability and long-lasting color

Green Technology:

Mercury and UV free. RoHS-compliant components.

Installation

Mounting:

Heavy duty, die-cast junction box with four (4) conduit entries (one top, two side, one back)

Other

5 Yr Limited Warranty:

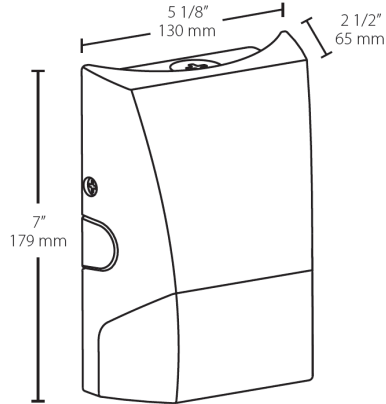
The RAB 5-year, limited warranty covers light output, driver performance and paint finish. RAB's warranty is subject to all terms and conditions found at rablighting.com/warranty.

Technical Specifications (continued)

Replacement:

Replaces 75A/IF incandescent Inside Frost or 13W CFL

Dimensions



Features

- Economical
- Traditional non-cutoff design
- 60,000-hour LED lifespan
- 5-Year, limited warranty

Ordering Matrix

Family	Lumen Package/Wattage	CCT/CRI	Finish	Options
BRISK	S11L	740		
	S11L = 1100lm / 9W S17L = 1700lm / 14W M32L = 3200lm / 22W M48L = 4800lm / 35W	Blank = 5000K Cool / 70 CRI 740 = 4000K Neutral / 70 CRI 730 = 3000K Warm / 70 CRI	Blank = Bronze W = White	Blank = No Option /PCU = 120-277V Photocell