



The versatile, low-cost, low-profile wall pack. BRISK™ - efficient and affordable LED light.

Color: Bronze

Weight: 2.0 lbs

Project:

Type:

Prepared By:

Date:

Driver Info

Type	Constant Current
120V	0.11A
208V	0.07A
240V	0.06A
277V	0.06A
Input Watts	12.6W

LED Info

Watts	14W
Color Temp	3000K (Warm)
Color Accuracy	74 CRI
L70 Lifespan	60,000 Hours
Lumens	1,827 lm
Efficacy	145 lm/W

Technical Specifications

Compliance

UL Listed:

Suitable for wet locations

IESNA LM-79 & LM-80 Testing:

RAB LED luminaires and LED components have been tested by an independent laboratory in accordance with IESNA LM-79 and LM-80.

IP Rating:

Ingress protection rating of IP66 for dust and water

Performance

Lifespan:

60,000-Hour LED lifespan based on IES LM-80 results and TM-21 calculations

Wattage Equivalency:

Equivalent to 70W Metal Halide/50W HPS

LED Characteristics

LEDs:

Long-life, high-efficacy, surface-mount LEDs

Color Uniformity:

RAB's range of Correlated Color Temperature follows the guidelines of the American National Standard for Specifications for the Chromaticity of Solid State Lighting (SSL) Products, ANSI C78.377-2017.

Electrical

Driver:

Constant Current, Class 2, 50/60Hz, 120V: 0.11A, 208V: 0.07A, 240V: 0.06A, 277V: 0.06A

THD:

9.91% at 120V, 13.64% at 277V

Power Factor:

98.4% at 120V, 90% at 277V

Surge Protection:

2.5kV

Photocell:

120-277V Button photocell included. Photocell is compatible with 120V-277V.

Optical

BUG Rating:

B0 U3 G2

Construction

Maximum Ambient Temperature:

Suitable for use in up to 40°C (104°F)

Cold Weather Starting:

The minimum starting temperature is -30°C (-22°F)

Housing:

Precision die-cast aluminum

Reflector:

Specular

Lens:

Diffused acrylic

Gaskets:

Silicone foam

Finish:

Formulated for high durability and long-lasting color

Green Technology:

Mercury and UV free. RoHS-compliant components.

Installation

Mounting:

Heavy duty, die-cast junction box with four (4) conduit entries (one top, two side, one back)

Other

5 Yr Limited Warranty:

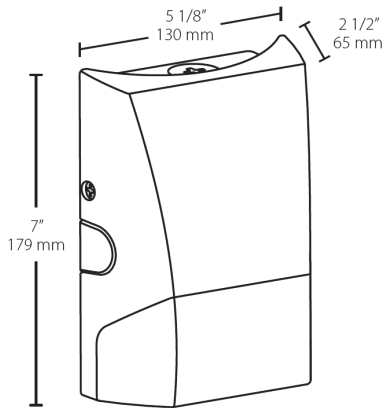
The RAB 5-year, limited warranty covers light output, driver performance and paint finish. RAB's warranty is subject to all terms and conditions found at rablighting.com/warranty.

Technical Specifications (continued)

Replacement:

Replaces 100A/IF incandescent Inside Frost, 100W T5
Halogen incandescent or 26W CFL

Dimensions



Features

- Economical
- Traditional non-cutoff design
- 60,000-hour LED lifespan
- 5-Year, limited warranty

Ordering Matrix

Family	Lumen Package/Wattage	CCT/CRI	Finish	Options
BRISK	S17L	730		/PCU
	S11L = 1100lm / 9W S17L = 1700lm / 14W M32L = 3200lm / 22W M48L = 4800lm / 35W	Blank = 5000K Cool / 70 CRI 740 = 4000K Neutral / 70 CRI 730 = 3000K Warm / 70 CRI	Blank = Bronze W = White	Blank = No Option /PCU = 120-277V Photocell