



The versatile, low-cost, low-profile wall pack. BRISK™ - efficient and affordable LED light.

Color: Bronze

Weight: 2.0 lbs

Project:

Type:

Prepared By:

Date:

### Driver Info

Type	Constant Current
120V	0.11A
208V	0.07A
240V	0.06A
277V	0.06A
Input Watts	13W

### LED Info

Watts	14W
Color Temp	5000K (Cool)
Color Accuracy	74 CRI
L70 Lifespan	60,000 Hours
Lumens	1,919 lm
Efficacy	147.6 lm/W

## Technical Specifications

### Compliance

#### UL Listed:

Suitable for wet locations

#### IESNA LM-79 & LM-80 Testing:

RAB LED luminaires and LED components have been tested by an independent laboratory in accordance with IESNA LM-79 and LM-80.

#### IP Rating:

Ingress protection rating of IP66 for dust and water

#### Trade Agreements Act Compliant:

This product is a product of Cambodia and a "designated country" end product that complies with the Trade Agreements Act

### Performance

#### Lifespan:

60,000-Hour LED lifespan based on IES LM-80 results and TM-21 calculations

#### Wattage Equivalency:

Equivalent to 70W Metal Halide/50W HPS

### LED Characteristics

#### LEDs:

Long-life, high-efficacy, surface-mount LEDs

### Color Uniformity:

RAB's range of Correlated Color Temperature follows the guidelines of the American National Standard for Specifications for the Chromaticity of Solid State Lighting (SSL) Products, ANSI C78.377-2017.

### Electrical

#### Driver:

Constant Current, Class 2, 50/60Hz, 120V: 0.11A, 208V: 0.07A, 240V: 0.06A, 277V: 0.06A

#### THD:

8.99% at 120V, 8.79% at 277V

#### Power Factor:

98.5% at 120V, 90.7% at 277V

#### Surge Protection:

2.5kV

#### Photocell:

120-277V Button photocell included. Photocell is compatible with 120V-277V.

### Optical

#### BUG Rating:

B0 U3 G2

### Construction

#### Maximum Ambient Temperature:

Suitable for use in up to 40°C (104°F)

### Cold Weather Starting:

The minimum starting temperature is -30°C (-22°F)

### Housing:

Precision die-cast aluminum

### Reflector:

Specular

### Lens:

Diffused acrylic

### Gaskets:

Silicone foam

### Finish:

Formulated for high durability and long-lasting color

### Green Technology:

Mercury and UV free. RoHS-compliant components.

### Installation

#### Mounting:

Heavy duty, die-cast junction box with four (4) conduit entries (one top, two side, one back)

## Technical Specifications (continued)

### Other

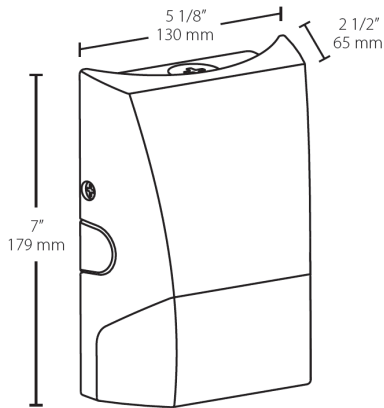
#### 5 Yr Limited Warranty:

The RAB 5-year, limited warranty covers light output, driver performance and paint finish. RAB's warranty is subject to all terms and conditions found at [rablighting.com/warranty](http://rablighting.com/warranty).

#### Replacement:

Replaces 100A/IF incandescent Inside Frost, 100W T5 Halogen incandescent or 26W CFL

## Dimensions



## Features

- Economical
- Traditional non-cutoff design
- 60,000-hour LED lifespan
- 5-Year, limited warranty

## Ordering Matrix

Family	Lumen Package/Wattage	CCT/CRI	Finish	Options
BRISK	S17L			/PCU
	S11L = 1100lm / 9W S17L = 1700lm / 14W M32L = 3200lm / 22W M48L = 4800lm / 35W	Blank = 5000K Cool / 70 CRI 740 = 4000K Neutral / 70 CRI 730 = 3000K Warm / 70 CRI	Blank = Bronze W = White	Blank = No Option /PCU = 120-277V Photocell