



Project:	Type:
Prepared By:	Date:

Driver Info		LED Info	
Type	Constant Current	Watts	40W
120V	0.33A	Color Temp	3500/4000/5000K
208V	0.20A	Color Accuracy	83-84 CRI
240V	0.17A	L70 Lifespan	75,000 Hours
277V	0.15A	Lumens	3,809-6,104 lm
Input Watts	29.8-49.3W	Efficacy	116.1-132.2 lm/W

Technical Specifications

Field Adjustability

Field Adjustable:

Field Adjustable Light Output:
2' x 4': 50W/40W/30W (factory default 40W)
Color temperature selectable by 3500K, 4000K and 5000K (factory default 4000K)

Compliance

UL Listed:

Suitable for damp locations

IESNA LM-79 & LM-80 Testing:

RAB LED luminaires and LED components have been tested by an independent laboratory in accordance with IESNA LM-79 and LM-80.

CCEA Compliant:

Luminaire Requirements used in Environmental Air Space per the electrical code specification of the City of Chicago

Trade Agreements Act Compliant:

This product is a product of Cambodia and a "designated country" end product that complies with the Trade Agreements Act

DLC Listed:

This product is on the Design Lights Consortium (DLC) Qualified Products List and is eligible for rebates from DLC Member Utilities. Designed to meet DLC 5.1 requirements.
DLC Product Code: PL3725S1

Performance

Lifespan:

75,000-Hour LED lifespan based on IES LM-80 results and TM-21 calculations

LED Characteristics

LEDs:

Edge-lit design with long-life, high-efficacy LEDs

Electrical

Driver:

Constant Current, Class 2, 120-277V, 50/60 Hz, 120V: 0.33A, 208V: 0.20A, 240V: 0.17A, 277V: 0.15A

THD:

4.09% at 120V, 9.62% at 277V

Power Factor:

98% at 120V, 97.2% at 277V

Battery Backup:

Battery backup will operate the LED Lamp for 90 minutes if power fails. Wired for 120V-277V.

Construction

Operating Temperature:

-30°C (-22°F) to 40°C (104°F)

Lens:

Frosted polystyrene

Housing:

Lightweight aluminum housing

Finish:

Formulated for high durability and long-lasting color

Green Technology:

Mercury and UV free. RoHS-compliant components.

Installation

Mounting:

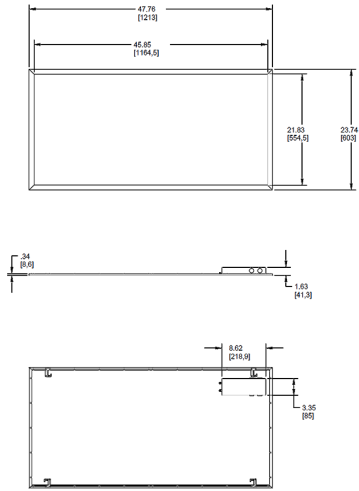
Recessed ceiling

Other

Warranty:

RAB warrants that our LED products will be free from defects in materials and workmanship for a period of five (5) years from the date of delivery to the end user, including coverage of light output, color stability, driver performance and fixture finish. RAB's warranty is subject to all terms and conditions found at rablighting.com/warranty.

Dimensions



Features

- Field-adjustable light output (3 discrete steps)
- White tunable (3 discrete color temperatures)
- Can be changed before, during or after installation
- 75,000-Hour LED lifespan

Ordering Matrix

Family	Size	Driver	Options
EZPANFA	2X4	/D10	/E2
	1X4 = 1' x 4' 2X2 = 2' x 2' 2X4 = 2' x 4'	/D10 = 0-10V Dimming	Blank = No Option /LC = Lightcloud /LCS = Lightcloud Sensor /E2 = Battery Backup