



Project:	Type:
Prepared By:	Date:

Use to add a motion sensor to RAB garage lights. Mounts over any shape recessed box and covers stains and gaps. Available in bronze and white for ceiling and pendant mounted garage lights.

Color: White

Weight: 0.4 lbs

Technical Specifications

Performance

Description:

The ceiling backbox is perfect for adding sensors or making splices to any pendant fixture. Surface mounts over any shape box and covers unsightly stains or gaps. Five (1/2") conduit entries enable wiring directly from the back or through the sides using surface conduit.

Compliance

UL Listed:

Suitable for wet locations. Covered Ceiling Mount Only. When used with RAB GPLED fixtures.

Trade Agreements Act Compliant:

This product is a product of Cambodia and a "designated country" end product that complies with the Trade Agreements Act

Construction

Housing:

Precision die-cast aluminum

Plugs:

Die cast aluminum with clean threads and gasket for weatherproof seal

Gaskets:

High-temperature silicone

Finish:

Formulated for high durability and long-lasting color

Installation

Mounting:

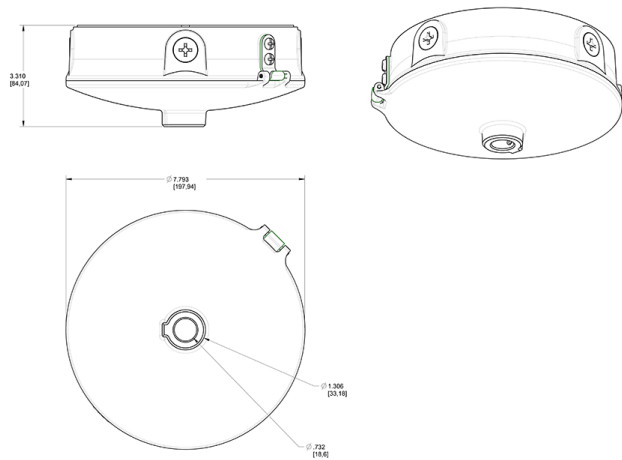
Pendant provided by others. Threads are 1/2 inch NPS. Stem insertion depth not to exceed 5/8 inch. Lock screw provided on fixture.

Electrical

Wiring:

Five holes. One on the back of the box, four on the sides for using surface conduit.

Dimensions



Features

- Great for adding a sensor to RAB LED garage fixtures
- Surface mounts over any shape box
- Covers unsightly stains and gaps
- Conduit entries enable wiring directly from the back or through the sides using surface conduit