

| | | | |
|-----------------|--------------|---------------------|--------------|
| Project: | Type: | Prepared By: | Date: |
|-----------------|--------------|---------------------|--------------|



Features and Benefits

Replacement for traditional Metal Halide or High Pressure Sodium HID Lamps

Active Cooling: Internal sensor overheats and engaged will automatically reduce output to 70% rated wattage until the sensor cools and will light up again to 100%

Integral Driver enables lamp to be wired directly to line voltage without need for an external driver or ballast

Rated for use in enclosed and open fixtures in dry or damp locations

4kV surge protection built in

50,000 hour Lifespan

Environmentally friendly, no mercury used

UL Listed, UL Classified

Non-Dimmable

5 Year No Compromise Warranty

| Technical Specifications | | |
|---|---|---|
| Performance <hr/> Product Type: HID Replacement Input Wattage: 100W Wattage Equivalency: 400W HID Lumens: 13,000lm Efficacy: 130lm/W L70 Lifespan: 50,000 Hours Construction <hr/> Bulb Shape: Post Top For Use Outdoors in Open Fixtures: Yes | LED Characteristics <hr/> Color Temperature: 3000K Warm White Color Accuracy (CRI): 80 CRI Beam Angle: 360° Installation <hr/> Base Type: EX39 Installation Type: Type B, Ballast Bypass Installation Orientation: For Vertical Installation Only Electrical <hr/> THD: <20% Power Factor: 0.9 | Operating Temperature: -30°C to 60°C Dimmable: No Input Voltage: 100-277V Operating Frequency: 50/60Hz Flicker: <30% Compliance <hr/> UL Listed: Yes UL Classified: Yes California Energy Commission (CEC) Status: Lawful for Sales in California <hr/> |

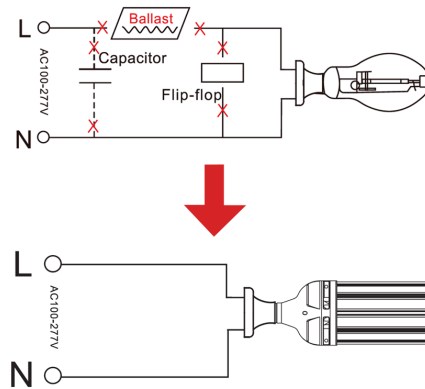
Minimum Compartment Size

| Length x Width x Height [in] | Lamp Quantity |
|------------------------------|---------------|
| 10 | 1 |

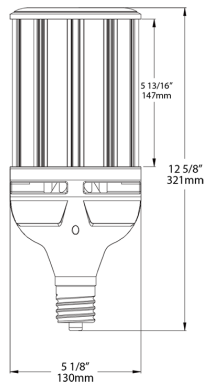
Case and Pallet Dimensions

| | QTY | LENGTH (in) | WIDTH (in) | HEIGHT (in) |
|--------|-----|-------------|------------|-------------|
| CASE | 6 | 19.8 | 14.4 | 14 |
| PALLET | 108 | 30.8 | 41.6 | 47.4 |

Wiring Diagram



Dimension



Light Distribution

