



Bullet shape die cast aluminum flood with spotlighting for over 40 feet away.

Color: Bronze

Weight: 4.6 lbs

Project:

Type:

Prepared By:

Date:

Driver Info

| Type | Constant Current |
|-------------|------------------|
| 120V | 0.23A |
| 208V | 0.13A |
| 240V | 0.11A |
| 277V | 0.07A |
| Input Watts | 27.1W |

LED Info

| | |
|----------------|-----------------|
| Watts | 26W |
| Color Temp | 4000K (Neutral) |
| Color Accuracy | 73 CRI |
| L70 Lifespan | 100,000 Hours |
| Lumens | 3,080 lm |
| Efficacy | 113.7 lm/W |

Technical Specifications

Compliance

UL Listed:

Suitable for wet locations. Suitable for ground mounting.

IESNA LM-79 & LM-80 Testing:

RAB LED luminaires and LED components have been tested by an independent laboratory in accordance with IESNA LM-79 and LM-80.

Trade Agreements Act Compliant:

This product is a product of Cambodia and a "designated country" end product that complies with the Trade Agreements Act

DLC Listed:

This product is on the Design Lights Consortium (DLC) Qualified Products List and is eligible for rebates from DLC Member Utilities. Designed to meet DLC 5.1 requirements.
DLC Product Code: PRUP4W47Y

Optical

NEMA Type:

NEMA Beam Spread 4H x 4V

LED Characteristics

LEDs:

Multi-chip, high-output, long-life LEDs

Color Stability:

RAB LEDs exceed industry standards for chromatic stability

Color Uniformity:

RAB's range of Correlated Color Temperature follows the guidelines of the American National Standard for Specifications for the Chromaticity of Solid State Lighting (SSL) Products, ANSI C78.377-2017.

Construction

Cold Weather Starting:

The minimum starting temperature is -40°C (-40°F)

Thermal Management:

Superior heat sinking with external Air-Flow fins

Housing:

Precision die-cast aluminum housing, lens frame and mounting arm

Reflector:

Semi-specular, vacuum-metalized polycarbonate

Gaskets:

High-temperature silicone gaskets

Finish:

Our environmentally friendly polyester powder coatings are formulated for high-durability and long-lasting color

Green Technology:

Mercury and UV free. RoHS-compliant components.

Installation

Mounting:

Heavy-duty 1/2" thread mounting arm with "O" ring seal & stainless steel screws

Other

Warranty:

RAB warrants that our LED products will be free from defects in materials and workmanship for a period of five (5) years from the date of delivery to the end user, including coverage of light output, color stability, driver performance and fixture finish. RAB's warranty is subject to all terms and conditions found at rablighting.com/warranty.

Electrical

Driver:

Constant Current, 120-277V with 4kV surge protection, 120V: 0.23, 208V: 0.13A, 240V: 0.11A, 277V: 0.11A

Technical Specifications (continued)

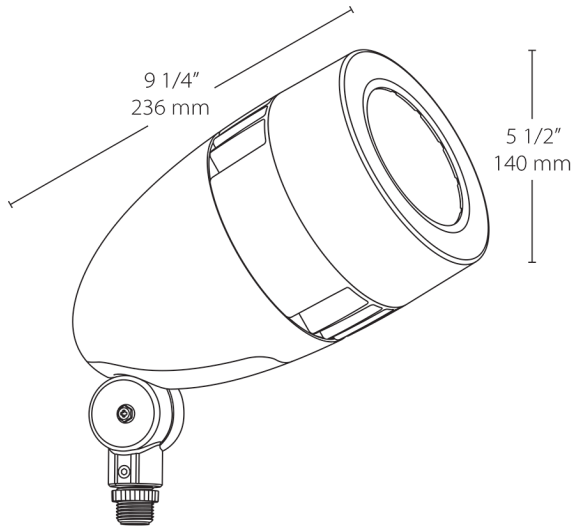
THD:

8.17% at 120V, 7.17% at 277V

Power Factor:

92.7% at 120V, 99.6% at 277V

Dimensions



Features

- Spot lighting for over 40 feet away
- Perfect for flag lighting
- NEMA type - 4H x 4V
- Available in four colors
- 100,000-hour life based on LM-80 results and TM-21 calculations
- 5-Year, No-Compromise Warranty

Ordering Matrix

| Family | Wattage | Color Temp | Finish | Driver Options |
|--------|----------------------------------|---|--|--|
| HSLED | 26 | N | A | |
| | 18 = 18W 13 = 13W 26 = 26W | N = 4000K Neutral Y = 3000K Warm Blank = 5000K Cool | W = White Blank = Bronze B = Black VG = Verde Green A = Bronze | Blank = Standard /D10 = 0-10V Dimming /480 = 480V (Only available for 26W) |