

BALDOR • RELIANCE

Customer information packet

CDRX18524T-5

5HP, 3500RPM, 3PH, 60HZ, 184TC, XPFC, F1

Class - CLI GP C,D

Division - Division I

Specifications

Enclosure	XPFC
Frame	184TC
Frame Material	Iron
Frequency	60.00 Hz
Haz Area Class and Group	CLI GP C,D
Haz Area Division	Division I
Motor Letter Type	Three Phase
Output @ Frequency	5.000 HP @ 60 HZ
Phase	3
Synchronous Speed @ Frequency	3600 RPM @ 60 HZ
Voltage @ Frequency	575.0 V @ 60 HZ
Agency Approvals	CSA EEV UL
Ambient Temperature	40 °C
Auxillary Box	No Auxillary Box
Auxillary Box Lead Termination	None
Base Indicator	Rigid
Bearing Grease Type	Polyrex EM (-20F +300F)
Blower	None
Constant Torque Speed Range	6
Current @ Voltage	4.500 A @ 575.0 V
Design Code	A
Drip Cover	No Drip Cover
Duty Rating	CONT
Efficiency @ 100% Load	88.5 %
Electrically Isolated Bearing	Not Electrically Isolated
Feedback Device	NO FEEDBACK
Haz Area Temp Code	T3C
Heater Indicator	No Heater
High Voltage Full Load Amps	4.5 a
Insulation Class	F
Inverter Code	Inverter Duty

Part detail

Revision	B
Type	AC
Mech. spec.	
Base	
Status	PRD/A
Elec. spec.	06WGW434
Layout	06LYH515
Eff. date	07-27-2020
CD Diagram	CD0006
Poles	02
Leads	3#16
Proprietary	False
Created date	07-19-2019

IP Rating	NONE
KVA Code	L
Lifting Lugs	Standard Lifting Lugs
Locked Bearing Indicator	Locked Bearing
Max Speed	5400 rpm
Motor Lead Termination	Flying Leads
Motor Standards	NEMA
Motor Type	0640M
Mounting Arrangement	F1
Number of Poles	2
Overall Length	18.31 IN
Power Factor	96
Product Family	General Purpose
Pulley Face Code	C-Face
Rodent Screen	None
RoHS Status	ROHS NON-COMPLIANT
Service Factor	1.00
Shaft Diameter	1.125 IN
Shaft Ground Indicator	No Shaft Grounding
Shaft Rotation	Reversible
Speed	3500 rpm
Speed Code	Single Speed
Starting Method	Direct on line
Thermal Device - Bearing	None
Thermal Device - Winding	Normally Closed Thermostat
Vibration Sensor Indicator	No Vibration Sensor
Winding Thermal 1	None
Winding Thermal 2	None

Nameplate

NP1401XPSLEV									
NO.		CC	010A						
S/N		TEMP CODE	T3C						
SPEC.	06-0000-0180		INV.TYPE	PWM					
CAT.NO.	CDRX18524T-5		C HP FR	60	C HP TO	90			
HP	5		CT HZ FROM	6	CT HZ TO	60			
VOLTS	575		VT HZ FROM	6	VT HZ TO	60			
AMPS	4.5		MAG CUR	1.2					
RPM	3500		MX RPM	5400					
HZ	60	PH	3	CL	F	NOM.EFF.	88.5		
SER.F.	1.00	DES	A	SL HZ	2.1	WK2	0.18		
FRAME	184TC	RATING	40C AMB-CONT						
	1.15 SF SINEWAVE								
	55C AMB @ 1.0SF		NEMA MG-1 PT 5,IP55						

AC Induction Motor Performance Data

Record # 77538

Typical performance - not guaranteed values

Winding: 06WGW434-R001		Type: 0640M		Enclosure: XPFC	
Nameplate Data			575 V, 60 Hz: Single Voltage Motor		
Rated Output (HP)	5	Full Load Torque	7.6 LB-FT		
Volts	575	Start Configuration	direct on line		
Full Load Amps	4.5	Breakdown Torque	35.9 LB-FT		
R.P.M.	3500	Pull-up Torque	26.7 LB-FT		
Hz	60	Locked-rotor Torque	30.8 LB-FT		
NEMA Design Code	B	Starting Current	50.6 A		
Service Factor (S.F.)	1	No-load Current	1.2 A		
NEMA Nom. Eff.	89.5	Line-line Res. @ 25°C	3.14 Ω		
Rating - Duty	40C AMB-CONT	Temp. Rise @ Rated Load	47°C		
		Locked-rotor Power Factor	42.5		
		Rotor inertia	0.179 LB-FT ²		

Load Characteristics 575 V, 60 Hz, 5 HP

% of Rated Load	25	50	75	100	125	150
Power Factor	71	86	93	96	96	93
Efficiency	84.8	89.4	90	89.5	88.4	87
Speed	3566	3537	3507	3474	3439	3402
Line amperes	1.6	2.5	3.4	4.4	5.5	6.8

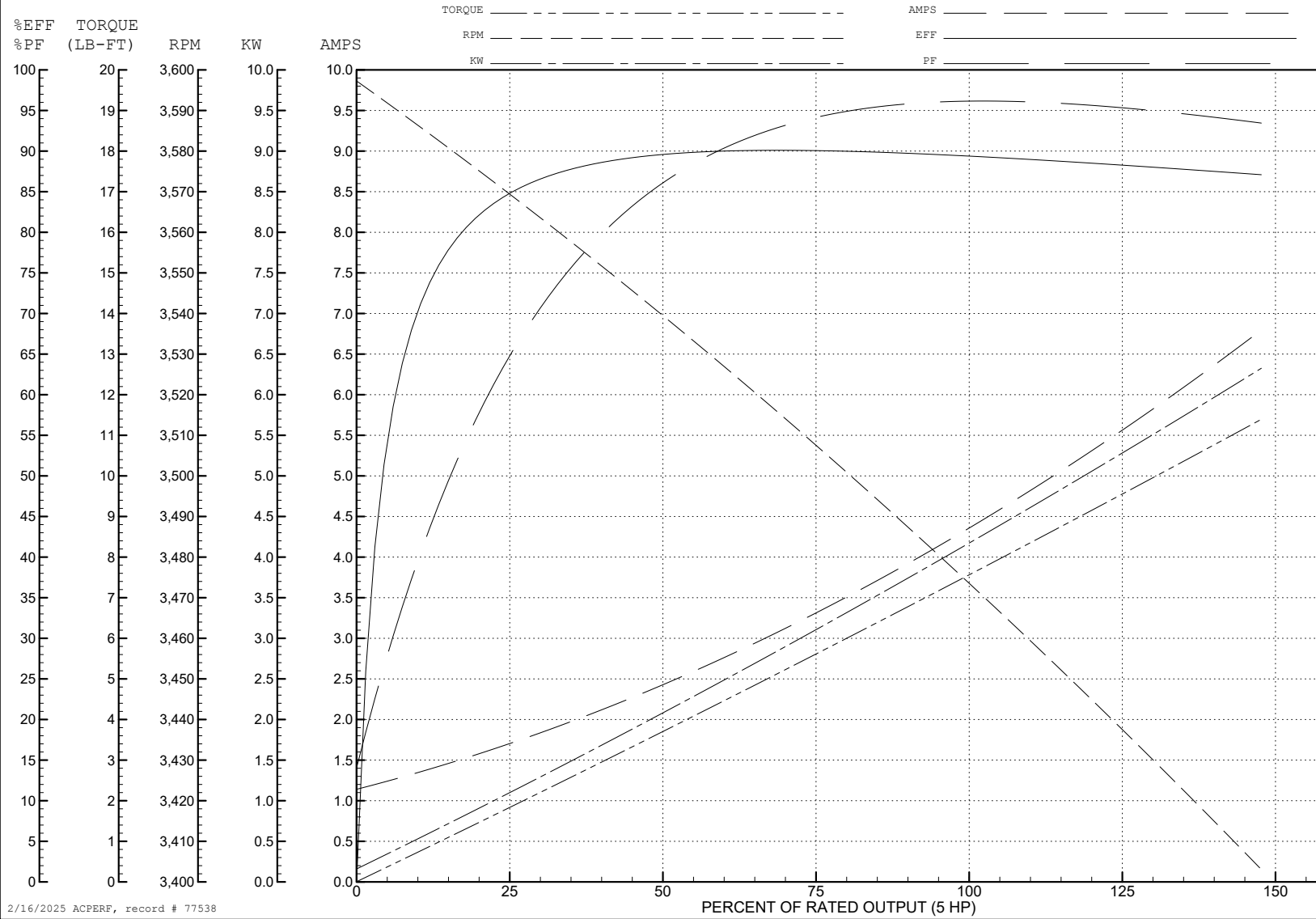
ABB Motors and Mechanical Inc.

WINDING # 06WGW434

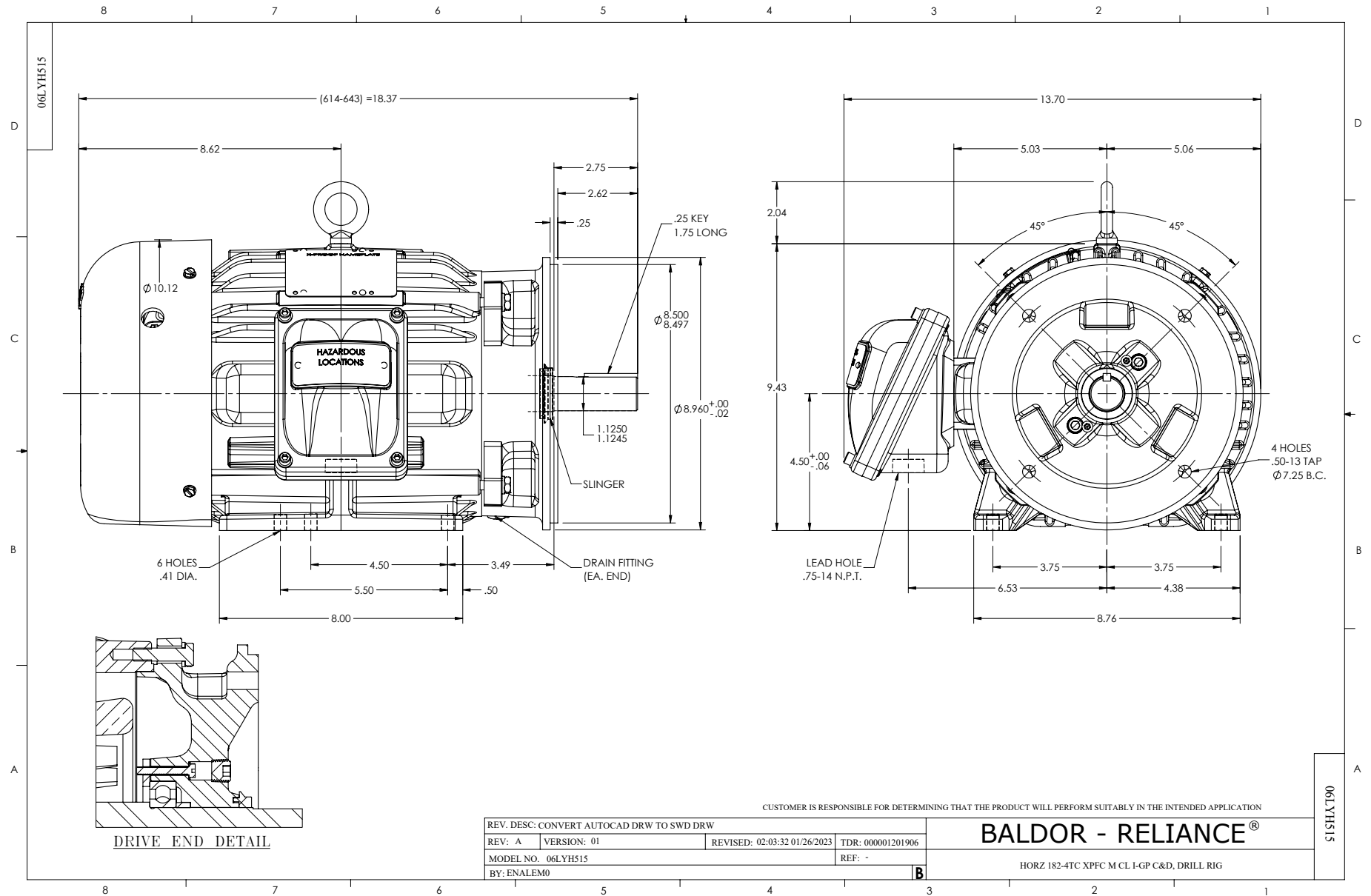
5 HP 3 PH 60 HZ 3500 RPM 575 V 0640M

Typical performance - not guaranteed values.

TORQUES (LB-FT): PO=35.9 PU=26.7 LR=30.8 LRA=50.6



2/16/2025 ACPERF, record # 77538



CD0006



NOTES:

1. THREE LEAD MOTOR MAY BE EITHER WYE CONNECTED OR DELTA CONNECTED.
2. INTERCHANGE ANY TWO LINE LEADS TO REVERSE ROTATION.
3. OPTIONAL THERMOSTATS ARE PROVIDED WHEN SPECIFIED.
4. ACTUAL NUMBER OF INTERNAL PARALLEL CIRCUITS MAY VARY.
5. LEAD COLORS ARE OPTIONAL. LEADS MUST BE NUMBERED AS SHOWN.

CD0006

REV. DESC: ADD CLASS CONN00000007		
REV. LTR: E	VERSION: 01	TDR: 000001099922
FILE: \AAA\00005\141	REVISED: 10:24:49 02/19/2019	BY: ENBRIRO
MTL: -	© □	

BALDOR - RELIANCE®

3PH, SV, 3 LEADS, WYE OR DELTA CONNECTED

SH 1 of 1