

**BALDOR • RELIANCE**

---

# Customer information packet

## CDRX251524T

15HP, 3530//2940RPM, 3PH, 60/50HZ, 254TC, XPF

Class - CLI GP C,D

Division - Division I

## Specifications

Enclosure	XPFC
Frame	254TC
Frame Material	Iron
Frequency	50.00 Hz 60.00 Hz
Haz Area Class and Group	CLI GP C,D
Haz Area Division	Division I
Motor Letter Type	Three Phase
Output @ Frequency	10.000 HP @ 50 HZ 15.000 HP @ 60 HZ
Phase	3
Synchronous Speed @ Frequency	3600 RPM @ 60 HZ
Voltage @ Frequency	380.0 V @ 50 HZ 230.0 V @ 60 HZ 190.0 V @ 50 HZ 460.0 V @ 60 HZ
Agency Approvals	CSA EEV UL
Ambient Temperature	40 °C
Auxillary Box	No Auxillary Box
Auxillary Box Lead Termination	None
Base Indicator	Rigid
Bearing Grease Type	Polyrex EM (-20F +300F)
Blower	None
Constant Torque Speed Range	6
Current @ Voltage	37.000 A @ 208.0 V 34.400 A @ 230.0 V 29.000 A @ 190.0 V 17.200 A @ 460.0 V 14.500 A @ 380.0 V
Design Code	A
Drip Cover	No Drip Cover

## Part detail

Revision	F
Type	AC
Mech. spec.	
Base	
Status	PRD/A
Elec. spec.	09WGZ864
Layout	09LYF368
Eff. date	02-14-2024
CD Diagram	CD0180
Poles	02
Leads	9#12
Proprietary	False
Created date	06-04-2019

Duty Rating	CONT
Efficiency @ 100% Load	91.0 %
Electrically Isolated Bearing	Not Electrically Isolated
Feedback Device	NO FEEDBACK
Haz Area Temp Code	T3C
Heater Indicator	No Heater
High Voltage Full Load Amps	14.5 a
Insulation Class	F
Inverter Code	Inverter Duty
IP Rating	NONE
KVA Code	H
Lifting Lugs	Standard Lifting Lugs
Locked Bearing Indicator	Locked Bearing
Max Speed	5400 rpm
Motor Lead Termination	Flying Leads
Motor Standards	NEMA
Motor Type	0934M
Mounting Arrangement	F1
Number of Poles	2
Overall Length	26.00 IN
Power Factor	88
Product Family	Hazardous Location Motor
Pulley Face Code	C-Face
Rodent Screen	None
RoHS Status	ROHS NON-COMPLIANT
Service Factor	1.00
Shaft Diameter	1.625 IN
Shaft Ground Indicator	No Shaft Grounding
Shaft Rotation	Reversible
Speed	3530 rpm
Speed Code	Single Speed
Starting Method	Direct on line
Thermal Device - Bearing	None
Thermal Device - Winding	Normally Closed Thermostat

<b>Vibration Sensor Indicator</b>	<b>No Vibration Sensor</b>
<b>Winding Thermal 1</b>	<b>None</b>
<b>Winding Thermal 2</b>	<b>None</b>

**Nameplate**

<b>NP1401XPSLEV</b>										
<b>NO.</b>		<b>CC</b>	010A							
<b>S/N</b>		<b>TEMP CODE</b>	T3C							
<b>SPEC.</b>	09-0000-1444		<b>INV.TYPE</b>	PWM						
<b>CAT.NO.</b>	CDRX251524T		<b>C HP FR</b>	60	<b>C HP TO</b>	90				
<b>HP</b>	15//10		<b>CT HZ FROM</b>	6	<b>CT HZ TO</b>	60				
<b>VOLTS</b>	230/460//190/380		<b>VT HZ FROM</b>	6	<b>VT HZ TO</b>	60				
<b>AMPS</b>	34.4/17.2//29/14.5		<b>MAG CUR</b>	11.8/5.9						
<b>RPM</b>	3530//2940		<b>MX RPM</b>	5400						
<b>HZ</b>	60//50	<b>PH</b>	3	<b>CL</b>	F	<b>NOM.EFF.</b>	91			
<b>SER.F.</b>	1.00	<b>DES</b>	A	<b>SL HZ</b>	1.2	<b>WK2</b>	0.87			
<b>FRAME</b>	254TC	<b>RATING</b>	40C AMB-CONT							
	55C AMB @ 1.0 SF, 60C RISE									
	1.15SF ON SINEWAVE		NEMA MG-1 PT.5,IP55							

**AC Induction Motor Performance Data**

Record # 66211

Typical performance - not guaranteed values

Winding: 09WGZ864-R003		Type: 0934M	Enclosure: XPFC	
<b>Nameplate Data</b>			<b>460 V, 60 Hz: High Voltage Connection</b>	
Rated Output (HP)	15	Full Load Torque	22.2 LB-FT	
Volts	230/460	Start Configuration	direct on line	
Full Load Amps	34.4/17.2	Breakdown Torque	102 LB-FT	
R.P.M.	3530	Pull-up Torque	32.9 LB-FT	
Hz	60 Phase	Locked-rotor Torque	40.8 LB-FT	
NEMA Design Code	A KVA Code	Starting Current	128 A	
Service Factor (S.F.)	1	No-load Current	5.9 A	
NEMA Nom. Eff.	91 Power Factor	Line-line Res. @ 25°C	0.591 Ω	
Rating - Duty	40C AMB-CONT	Temp. Rise @ Rated Load	56°C	
		Locked-rotor Power Factor	29.4	
		Rotor inertia	0.868 LB-FT <sup>2</sup>	

**Load Characteristics 460 V, 60 Hz, 15 HP**

% of Rated Load	25	50	75	100	125	150
Power Factor	57	78	86	89	90	90
Efficiency	86.2	90.8	91.7	91.6	91.3	90.5
Speed	3583	3567	3550	3533	3514	3493
Line amperes	7.2	10	13.4	17.2	21.2	25.6

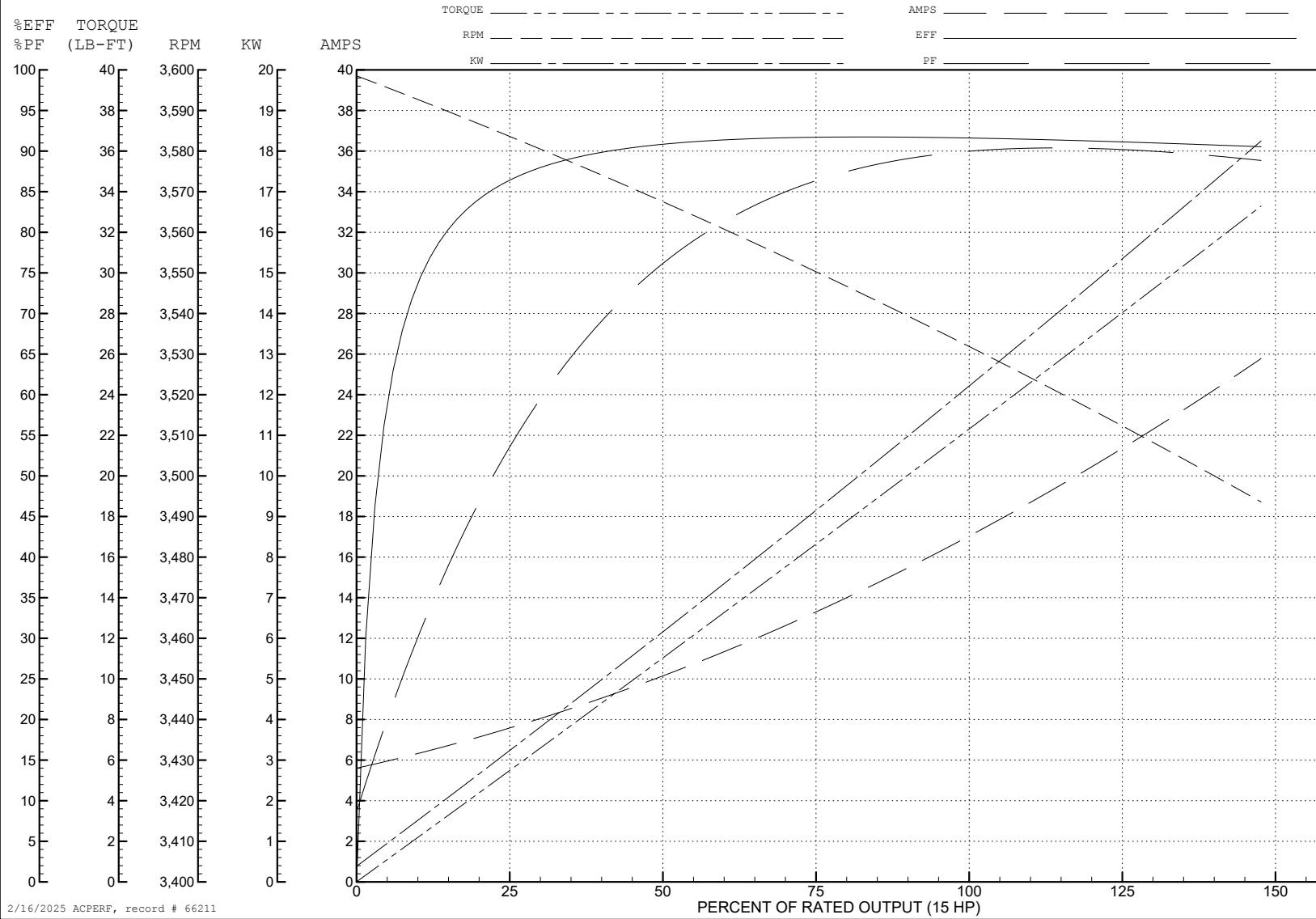
ABB Motors and Mechanical Inc.

WINDING # 09WGZ864

15 HP 3 PH 60 HZ 3530 RPM 460 V 0934M

Typical performance - not guaranteed values.

TORQUES (LB-FT): PO=102 PU=32.9 LR=40.8 LRA=128



2/16/2025 ACPERF, record # 66211

**AC Induction Motor Performance Data**

Record # 75707

Typical performance - not guaranteed values

Winding: 09WGZ864-R004		Type: 0934M	Enclosure: XPFC	
<b>Nameplate Data</b>			<b>380 V, 50 Hz: High Voltage Connection</b>	
Rated Output (HP)	15//10	Full Load Torque	17.74 LB-FT	
Volts	230/460//190/380	Start Configuration	direct on line	
Full Load Amps	34.4/17.2//29/14.5	Breakdown Torque	97.77 LB-FT	
R.P.M.	3530//2940	Pull-up Torque	34.86 LB-FT	
Hz	60//50 Phase	Locked-rotor Torque	43.23 LB-FT	
NEMA Design Code	A KVA Code	Starting Current	125 A	
Service Factor (S.F.)	1	No-load Current	5.79 A	
NEMA Nom. Eff.	91 Power Factor	Line-line Res. @ 25°C	0.591 Ω	
Rating - Duty	40C AMB-CONT	Temp. Rise @ Rated Load	42°C	
S.F. Amps		Temp. Rise @ S.F. Load	51°C	
		Locked-rotor Power Factor	33.3	
		Rotor inertia	0.868 LB-FT <sup>2</sup>	

**Load Characteristics 380 V, 50 Hz, 10 HP**

% of Rated Load	25	50	75	100	125	150
Power Factor	51	73	83	87	89	89
Efficiency	84.8	90.1	91.1	91.4	91	90.4
Speed	2986	2973	2959	2946	2931	2914
Line amperes	6.62	8.7	11.27	14.19	17.29	20.69

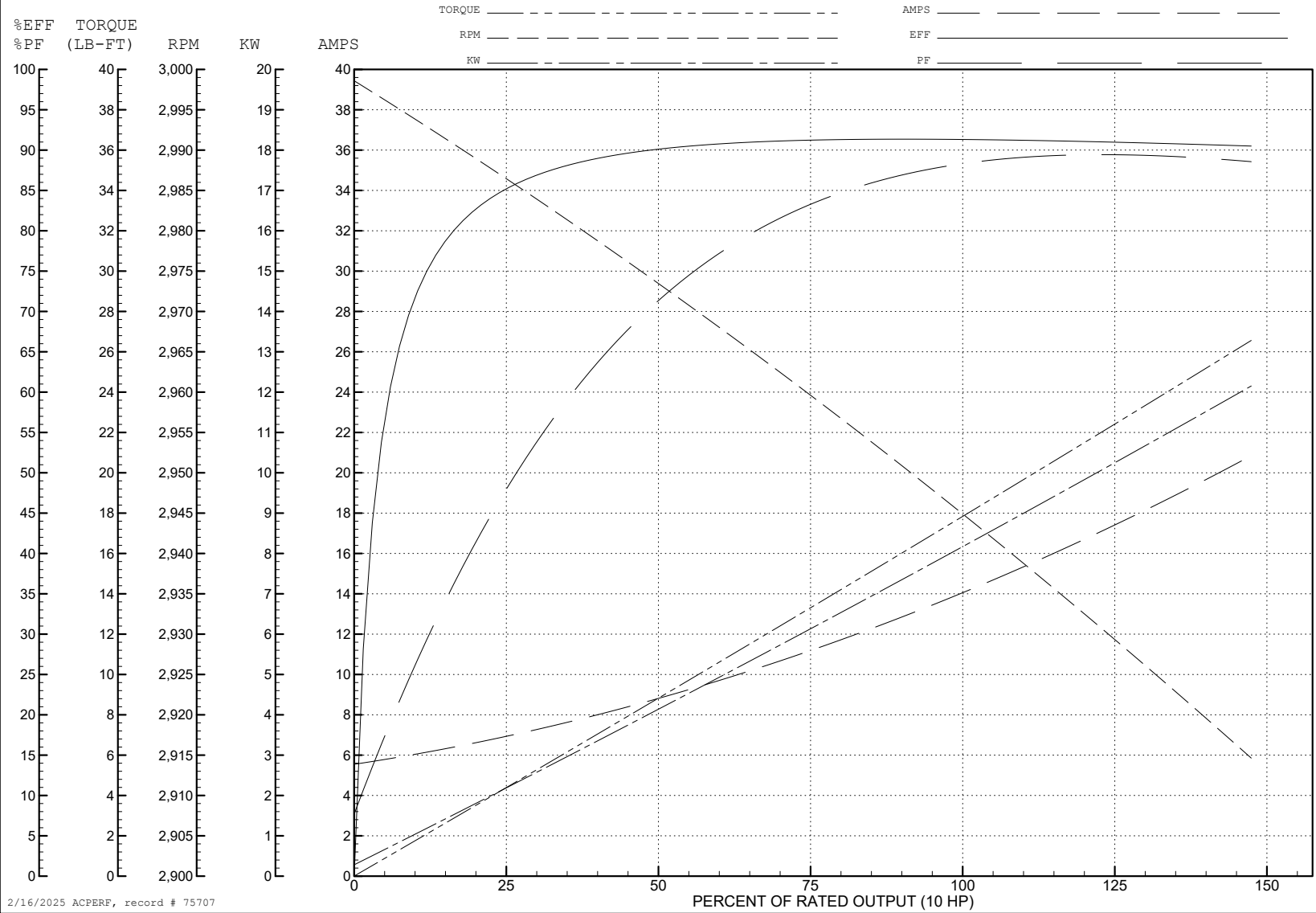
ABB Motors and Mechanical Inc.

WINDING # 09WGZ864

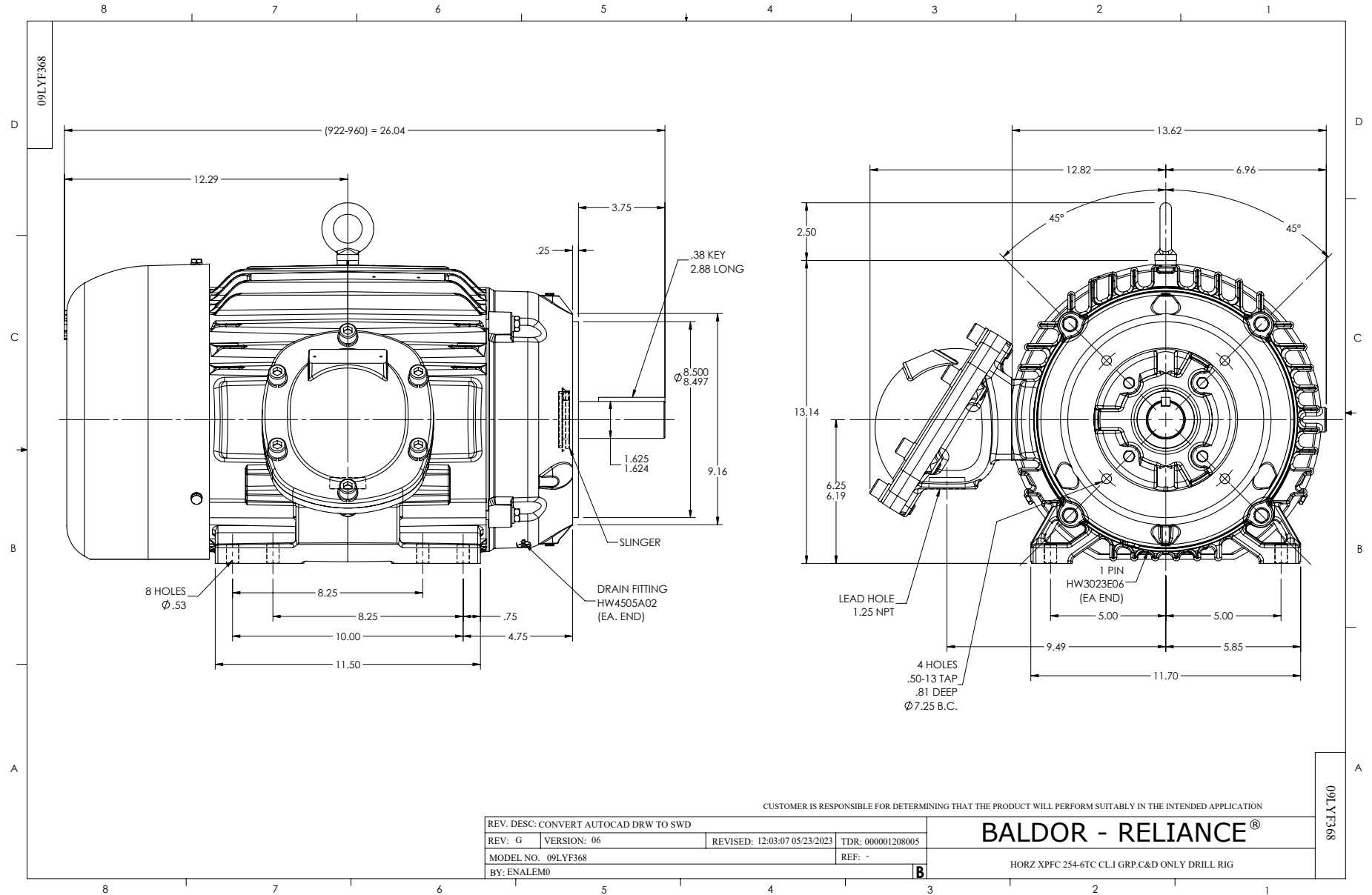
Typical performance - not guaranteed values.

10 HP 3 PH 50 HZ 2946 RPM 380 V 0934M

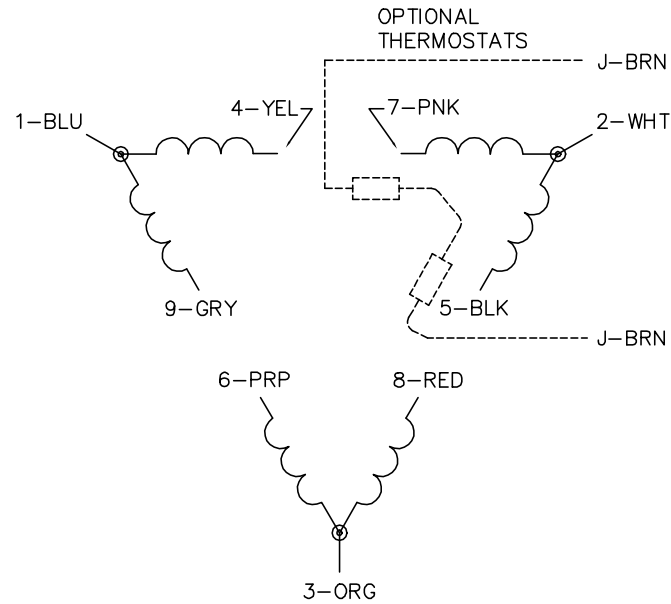
TORQUES (LB-FT): PO=97.77 PU=34.86 LR=43.23 LRA=125



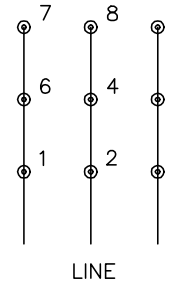
2/16/2025 ACPERF, record # 75707



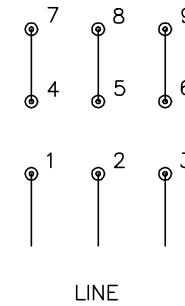
CD0180



LOW VOLTAGE  
(2D)



HIGH VOLTAGE  
(1D)



**NOTES:**

1. INTERCHANGE ANY TWO LINE LEADS TO REVERSE ROTATION.
2. OPTIONAL THERMOSTATS ARE PROVIDED WHEN SPECIFIED.
3. ACTUAL NUMBER OF INTERNAL PARALLEL CIRCUITS MAY BE A MULTIPLE OF THOSE SHOWN ABOVE.
4. LEAD COLORS ARE OPTIONAL. LEADS MUST ALWAYS BE NUMBERED AS SHOWN.

CD0180

REV. DESC: ADD CLASS CONN00000007		
REV. LTR: D	VERSION: 01	TDR: 000001099922
FILE: \AAA\00005\148	REVISED: 10: 25: 29 02/19/2019	BY: ENBRIRO
MTL: -	© □	

**BALDOR - RELIANCE®**

3PH, DV, 9 LEADS, DELTA CONNECTION

SH 1 of 1