



Customer information packet

CDRX25224T

20HP, 3530//2930RPM, 3PH, 60/50HZ, 256TC, XPF

Class - CLI GP C,D

Division - Division I

Specifications

Enclosure	XPFC
Frame	256TC
Frame Material	Iron
Frequency	50.00 Hz 60.00 Hz
Haz Area Class and Group	CLI GP C,D
Haz Area Division	Division I
Motor Letter Type	Three Phase
Output @ Frequency	15.000 HP @ 50 HZ 20.000 HP @ 60 HZ
Phase	3
Synchronous Speed @ Frequency	3600 RPM @ 60 HZ
Voltage @ Frequency	380.0 V @ 50 HZ 230.0 V @ 60 HZ 190.0 V @ 50 HZ 460.0 V @ 60 HZ
Agency Approvals	CSA EEV UL
Ambient Temperature	40 °C
Auxillary Box	No Auxillary Box
Auxillary Box Lead Termination	None
Base Indicator	Rigid
Bearing Grease Type	Polyrex EM (-20F +300F)
Blower	None
Constant Torque Speed Range	6
Current @ Voltage	48.000 A @ 208.0 V 44.000 A @ 230.0 V 40.000 A @ 190.0 V 22.000 A @ 460.0 V 20.000 A @ 380.0 V
Design Code	A
Drip Cover	No Drip Cover

Part detail

Revision	F
Type	AC
Mech. spec.	
Base	
Status	PRD/A
Elec. spec.	09WGZ651
Layout	09LYF368
Eff. date	02-14-2024
CD Diagram	CD0180
Poles	02
Leads	9#10
Proprietary	False
Created date	06-04-2019

Duty Rating	CONT
Efficiency @ 100% Load	91.0 %
Electrically Isolated Bearing	Not Electrically Isolated
Feedback Device	NO FEEDBACK
Haz Area Temp Code	T3C
Heater Indicator	No Heater
High Voltage Full Load Amps	20.0 a
Insulation Class	F
Inverter Code	Inverter Duty
IP Rating	NONE
KVA Code	H
Lifting Lugs	Standard Lifting Lugs
Locked Bearing Indicator	Locked Bearing
Max Speed	5400 rpm
Motor Lead Termination	Flying Leads
Motor Standards	NEMA
Motor Type	0950M
Mounting Arrangement	F1
Number of Poles	2
Overall Length	26.00 IN
Power Factor	91
Product Family	Hazardous Location Motor
Pulley Face Code	C-Face
Rodent Screen	None
RoHS Status	ROHS NON-COMPLIANT
Service Factor	1.00
Shaft Diameter	1.625 IN
Shaft Ground Indicator	No Shaft Grounding
Shaft Rotation	Reversible
Speed	3530 rpm
Speed Code	Single Speed
Starting Method	Direct on line
Thermal Device - Bearing	None
Thermal Device - Winding	Normally Closed Thermostat

Vibration Sensor Indicator	No Vibration Sensor
Winding Thermal 1	None
Winding Thermal 2	None

AC Induction Motor Performance Data

Record # 54032

Typical performance - not guaranteed values

Winding: 09WVGZ651-R011		Type: 0950M		Enclosure: XPFC	
Nameplate Data			460 V, 60 Hz: High Voltage Connection		
Rated Output (HP)	20	Full Load Torque	30 LB-FT		
Volts	230/460	Start Configuration	direct on line		
Full Load Amps	44/22	Breakdown Torque	167 LB-FT		
R.P.M.	3530	Pull-up Torque	33.7 LB-FT		
Hz	60 Phase	3	Locked-rotor Torque	51 LB-FT	
NEMA Design Code	A KVA Code	H	Starting Current	160 A	
Service Factor (S.F.)		1	No-load Current	5.75 A	
NEMA Nom. Eff.	91 Power Factor	91	Line-line Res. @ 25°C	0.43337 Ω	
Rating - Duty	40C AMB-CONT		Temp. Rise @ Rated Load	58°C	

Load Characteristics 460 V, 60 Hz, 20 HP

% of Rated Load	25	50	75	100	125	150
Power Factor	65	83	89	91	91	91
Efficiency	89.4	92.7	92.9	92.4	91.4	90.1
Speed	3580.7	3566.7	3547.3	3526.6	3504.5	3479.4
Line amperes	8.04	12.2	17.1	22.4	28.2	34.2

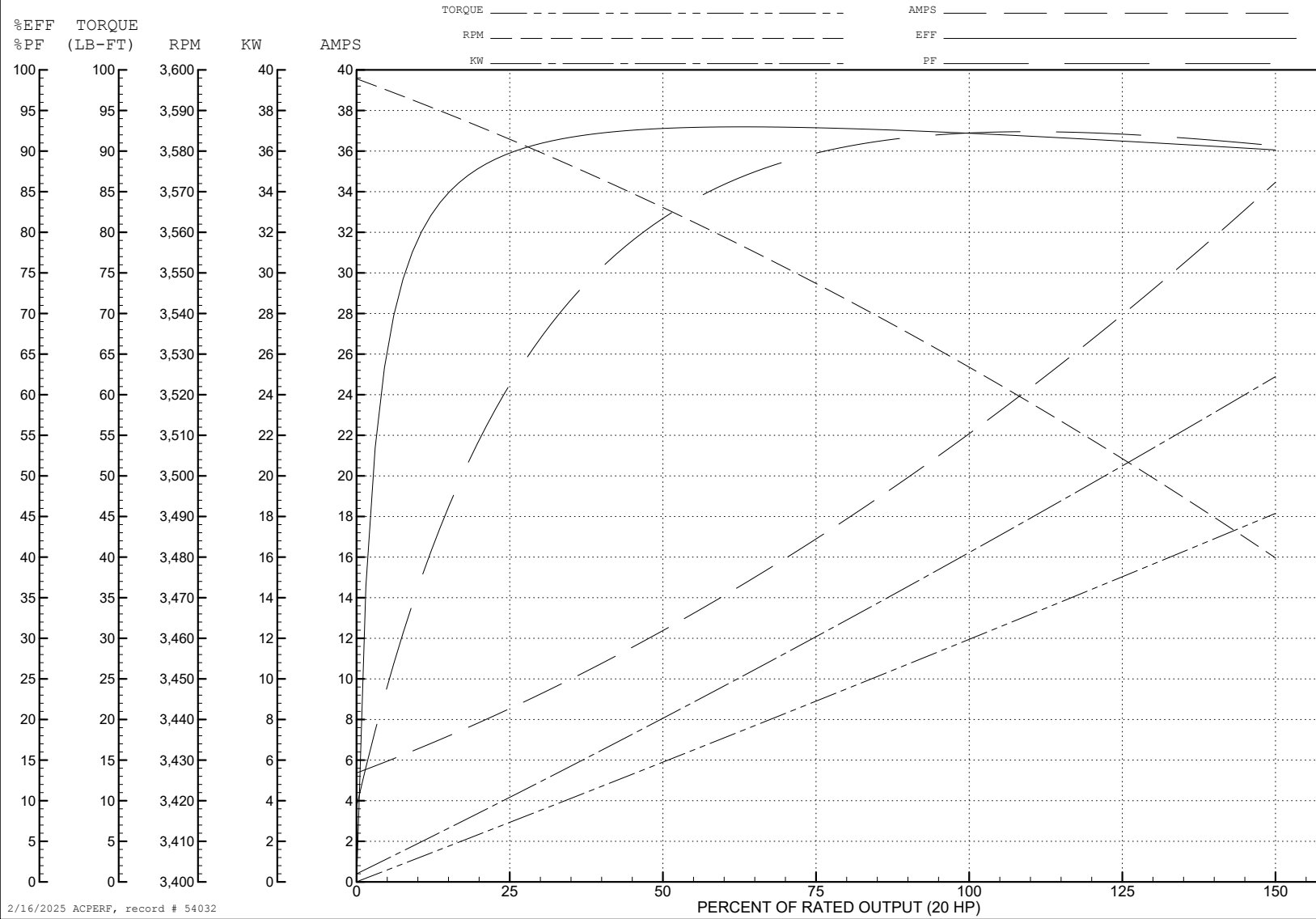
ABB Motors and Mechanical Inc.

WINDING # 09WGZ651

Typical performance - not guaranteed values.

20 HP 3 PH 60 HZ 3530 RPM 460 V 0950M

TORQUES (LB-FT): PO=167 PU=33.7 LR=51 LRA=160



2/16/2025 ACPERF, record # 54032

AC Induction Motor Performance Data

Record # 75709

Typical performance - not guaranteed values

Winding: 09WVGZ651-R010		Type: 0950M	Enclosure: XPFC		
Nameplate Data			380 V, 50 Hz: High Voltage Connection		
Rated Output (HP)	20//15		Full Load Torque	27.04 LB-FT	
Volts	230/460//190/380		Start Configuration	direct on line	
Full Load Amps	44/22//40/20		Breakdown Torque	161 LB-FT	
R.P.M.	3530//2930		Pull-up Torque	35.64 LB-FT	
Hz	60//50	Phase	3	Locked-rotor Torque	53.94 LB-FT
NEMA Design Code	A	KVA Code	H	Starting Current	156 A
Service Factor (S.F.)			1	No-load Current	5.68 A
NEMA Nom. Eff.	91	Power Factor	91	Line-line Res. @ 25°C	0.41 Ω
Rating - Duty			40C AMB-CONT	Temp. Rise @ Rated Load	51°C
S.F. Amps				Temp. Rise @ S.F. Load	64°C
				Locked-rotor Power Factor	31.3
				Rotor inertia	1.28 LB-FT ²

Load Characteristics 380 V, 50 Hz, 15 HP

% of Rated Load	25	50	75	100	125	150
Power Factor	62	82	88	91	91	92
Efficiency	89.5	92.9	92.7	91.9	90.9	89.7
Speed	2983	2970	2952	2934	2914	2892
Line amperes	7.59	11.31	15.7	20.45	25.66	31.13

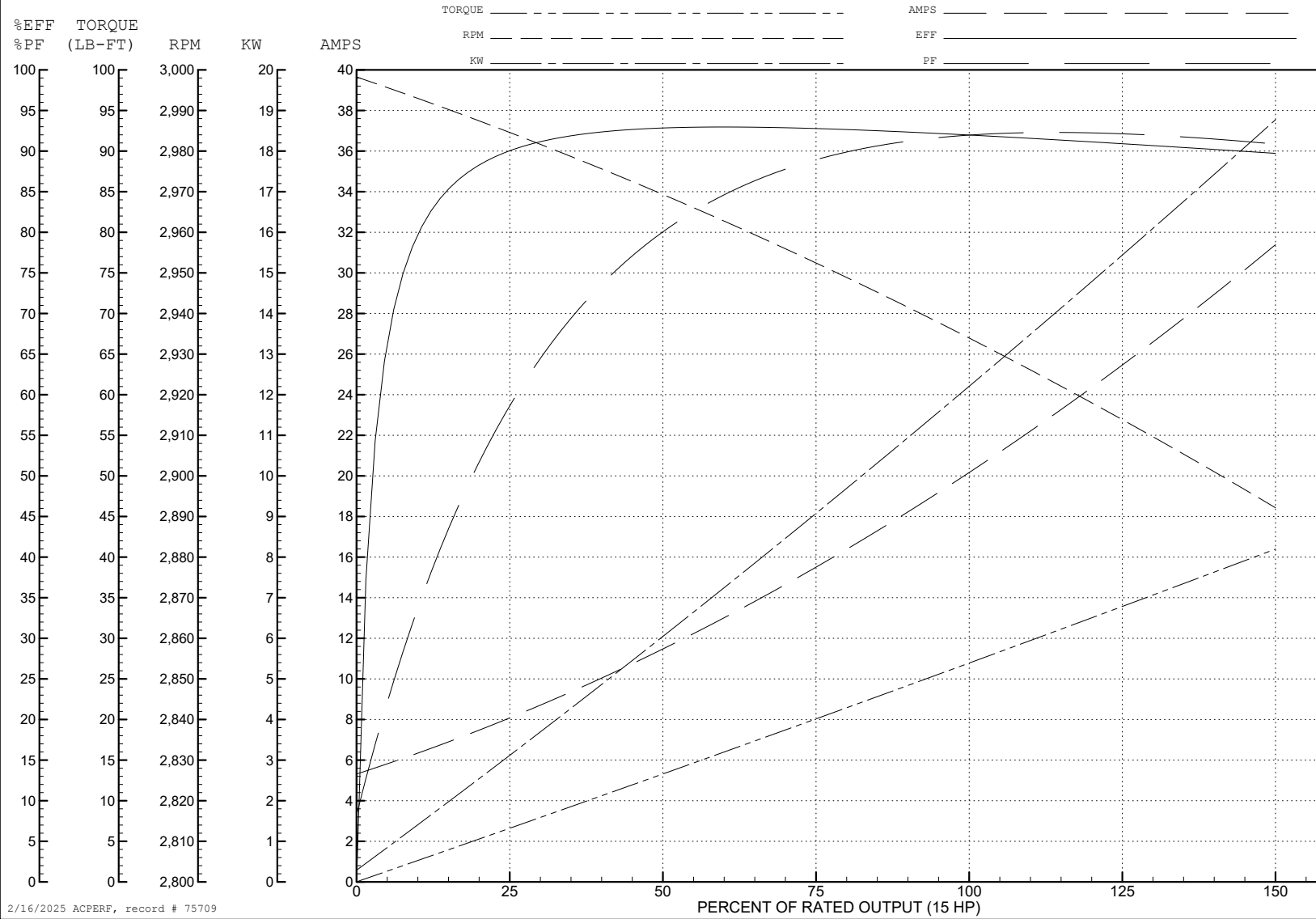
ABB Motors and Mechanical Inc.

WINDING # 09WGZ651

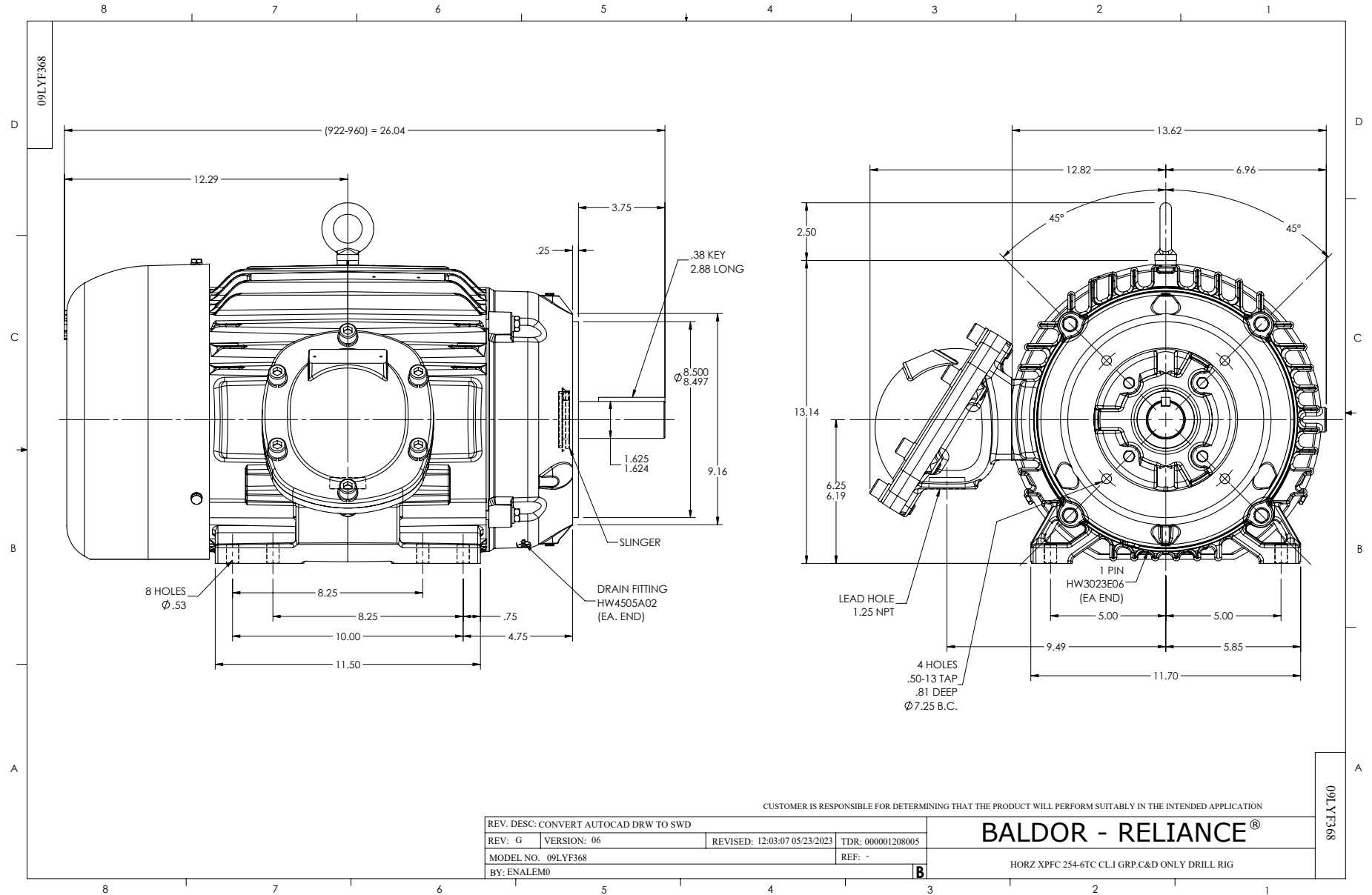
Typical performance - not guaranteed values.

15 HP 3 PH 50 HZ 2934 RPM 380 V 0950M

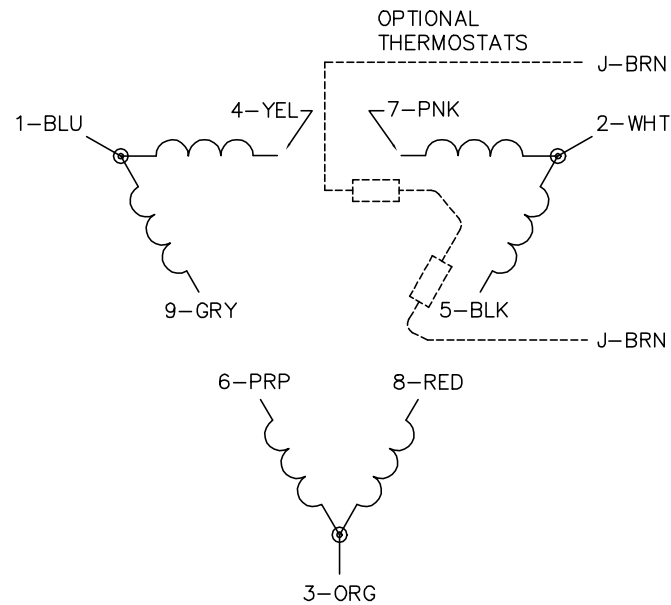
TORQUES (LB-FT): PO=161 PU=35.64 LR=53.94 LRA=156



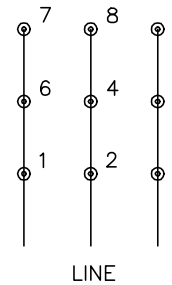
2/16/2025 ACPERF, record # 75709



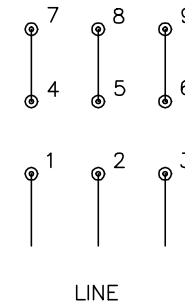
CD0180



LOW VOLTAGE
(2D)



HIGH VOLTAGE
(1D)



NOTES:

1. INTERCHANGE ANY TWO LINE LEADS TO REVERSE ROTATION.
2. OPTIONAL THERMOSTATS ARE PROVIDED WHEN SPECIFIED.
3. ACTUAL NUMBER OF INTERNAL PARALLEL CIRCUITS MAY BE A MULTIPLE OF THOSE SHOWN ABOVE.
4. LEAD COLORS ARE OPTIONAL. LEADS MUST ALWAYS BE NUMBERED AS SHOWN.

CD0180

REV. DESC: ADD CLASS CONN00000007		
REV. LTR: D	VERSION: 01	TDR: 000001099922
FILE: \AAA\00005\148	REVISED: 10: 25: 29 02/19/2019	BY: ENBRIRO
MTL: -	© □	

BALDOR - RELIANCE®

3PH, DV, 9 LEADS, DELTA CONNECTION

SH 1 of 1