

BALDOR • RELIANCE

Customer information packet

CDRX282524T

25HP, 3520//2930RPM, 3PH, 60HZ, 284TSC, XPFC,
Class - CLI GP C,D
Division - Division I

Specifications

| | |
|--------------------------------|--|
| Enclosure | XPFC |
| Frame | 284TSC |
| Frame Material | Iron |
| Frequency | 60.00 Hz |
| Haz Area Class and Group | CLI GP C,D |
| Haz Area Division | Division I |
| Motor Letter Type | Three Phase |
| Output @ Frequency | 25.000 HP @ 60 HZ 20.000 HP @ 50 HZ |
| Phase | 3 |
| Synchronous Speed @ Frequency | 3600 RPM @ 60 HZ |
| Voltage @ Frequency | 460.0 V @ 60 HZ 190.0 V @ 50 HZ 230.0 V @ 60 HZ 380.0 V @ 50 HZ |
| Agency Approvals | UL CSA EEV |
| Ambient Temperature | 40 °C |
| Auxillary Box | No Auxillary Box |
| Auxillary Box Lead Termination | None |
| Base Indicator | Rigid |
| Bearing Grease Type | Polyrex EM (-20F +300F) |
| Blower | None |
| Constant Torque Speed Range | 6 |
| Current @ Voltage | 28.000 A @ 380.0 V 28.500 A @ 460.0 V 56.000 A @ 190.0 V 57.000 A @ 230.0 V |
| Design Code | B |
| Drip Cover | No Drip Cover |
| Duty Rating | CONT |
| Efficiency @ 100% Load | 91.7 % |

Part detail

| | |
|--------------|--------------|
| Revision | G |
| Type | AC |
| Mech. spec. | |
| Base | |
| Status | PRD/A |
| Elec. spec. | 10WGY777 |
| Layout | 10LY-000-572 |
| Eff. date | 11-22-2024 |
| CD Diagram | CD0180 |
| Poles | 02 |
| Leads | 9#10 |
| Proprietary | False |
| Created date | 06-22-2019 |

| | |
|--------------------------------------|----------------------------|
| Electrically Isolated Bearing | Not Electrically Isolated |
| Feedback Device | NO FEEDBACK |
| Haz Area Temp Code | T3C |
| Heater Indicator | No Heater |
| High Voltage Full Load Amps | 28.0 a |
| Insulation Class | F |
| Inverter Code | Inverter Duty |
| IP Rating | NONE |
| KVA Code | G |
| Lifting Lugs | Standard Lifting Lugs |
| Locked Bearing Indicator | Locked Bearing |
| Max Speed | 5400 rpm |
| Motor Lead Termination | Flying Leads |
| Motor Standards | NEMA |
| Motor Type | 1038M |
| Mounting Arrangement | F1 |
| Number of Poles | 2 |
| Overall Length | 27.23 IN |
| Power Factor | 89 |
| Product Family | Hazardous Location Motor |
| Pulley Face Code | C-Face |
| Rodent Screen | None |
| RoHS Status | ROHS NON-COMPLIANT |
| Service Factor | 1.00 |
| Shaft Diameter | 1.625 IN |
| Shaft Ground Indicator | No Shaft Grounding |
| Shaft Rotation | Reversible |
| Speed | 3520 rpm |
| Speed Code | Single Speed |
| Starting Method | Direct on line |
| Thermal Device - Bearing | None |
| Thermal Device - Winding | Normally Closed Thermostat |
| Vibration Sensor Indicator | No Vibration Sensor |
| Winding Thermal 1 | None |

Winding Thermal 2

None

Nameplate

| NP1401XPSLEV | | | | | | | | | | |
|----------------|----------------------------|------------------|---------------------|--------------|-----------------|-----------------|------|--|--|--|
| NO. | | CC | 010A | | | | | | | |
| S/N | | TEMP CODE | T3C | | | | | | | |
| SPEC. | 10-0000-0835 | | INV.TYPE | PWM | | | | | | |
| CAT.NO. | CDRX282524T | | C HP FR | 60 | C HP TO | 90 | | | | |
| HP | 25//20 | | CT HZ FROM | 6 | CT HZ TO | 60 | | | | |
| VOLTS | 230/460//190/380 | | VT HZ FROM | 6 | VT HZ TO | 60 | | | | |
| AMPS | 57/28.5//56/28 | | MAG CUR | 16.2/8.1 | | | | | | |
| RPM | 3520//2930 | | MX RPM | 5400 | | | | | | |
| HZ | 60//50 | PH | 3 | CL | F | NOM.EFF. | 91.7 | | | |
| SER.F. | 1.00 | DES | B | SL HZ | 1.3 | WK2 | 1.63 | | | |
| FRAME | 284TSC | RATING | 40C AMB-CONT | | | | | | | |
| | 55C AMB @ 1.0 SF, 60C RISE | | | | | | | | | |
| | 1.15SF ON SINEWAVE | | NEMA MG-1 PT.5,IP55 | | | | | | | |

AC Induction Motor Performance Data

Record # 31465

Typical performance - not guaranteed values

| Winding: 10WGY777-R001 | | Type: 1038M | | Enclosure: XPFC | |
|-------------------------------|-------------------|---------------------|--|----------------------------------|-------------------------|
| Nameplate Data | | | 460 V, 60 Hz: High Voltage Connection | | |
| Rated Output (HP) | 25//20 | | Full Load Torque | 37.4 LB-FT | |
| Volts | 230/460//190/380 | | Start Configuration | direct on line | |
| Full Load Amps | 57/28.5//56/28 | | Breakdown Torque | 144 LB-FT | |
| R.P.M. | 3520//2930 | | Pull-up Torque | 50.1 LB-FT | |
| Hz | 60//50 | Phase | 3 | Locked-rotor Torque | 64.7 LB-FT |
| NEMA Design Code | B KVA Code | | G | Starting Current | 177 A |
| Service Factor (S.F.) | | | 1 | No-load Current | 8.07 A |
| NEMA Nom. Eff. | 91.7 | Power Factor | 89 | Line-line Res. @ 25°C | 0.294 Ω |
| Rating - Duty | 40C AMB-CONT | | | Temp. Rise @ Rated Load | 57°C |
| | | | | Locked-rotor Power Factor | 24.1 |
| | | | | Rotor inertia | 1.63 LB-FT ² |

Load Characteristics 460 V, 60 Hz, 25 HP

| % of Rated Load | 25 | 50 | 75 | 100 | 125 | 150 |
|------------------------|-----------|-----------|-----------|------------|------------|------------|
| Power Factor | 61 | 80 | 87 | 89 | 90 | 90 |
| Efficiency | 87.5 | 91.5 | 91.7 | 91.9 | 91.1 | 90 |
| Speed | 3576 | 3561 | 3543 | 3522 | 3499 | 3474 |
| Line amperes | 10.6 | 15.7 | 21.7 | 28.6 | 35.6 | 43.1 |

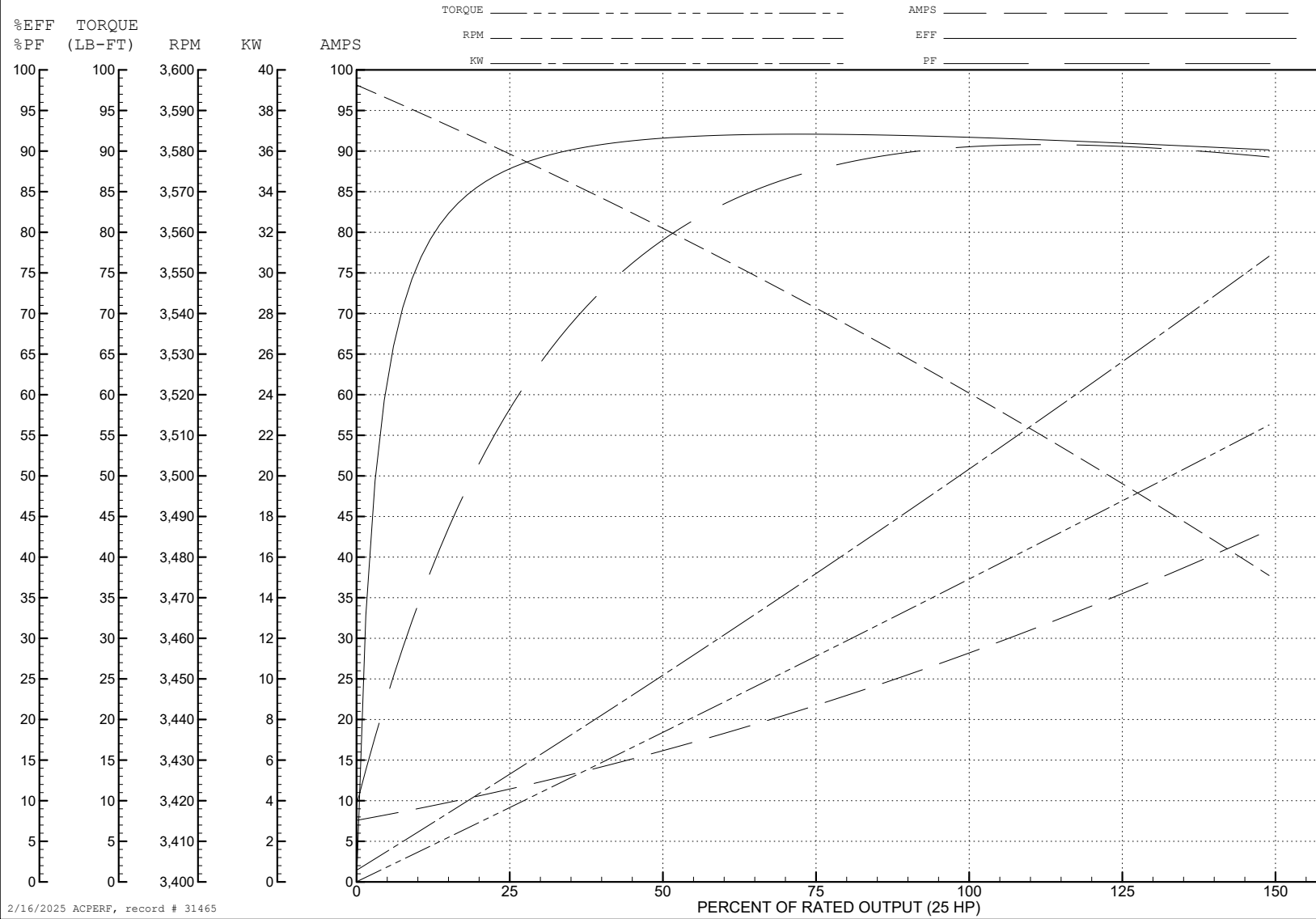
ABB Motors and Mechanical Inc.

WINDING # 10WGY777

Typical performance - not guaranteed values.

25 HP 3 PH 60 HZ 3522 RPM 460 V 1038M

TORQUES (LB-FT): PO=144 PU=50.1 LR=64.7 LRA=177



2/16/2025 ACPERF, record # 31465

AC Induction Motor Performance Data

Record # 31466

Typical performance - not guaranteed values

| Winding: 10WGY777-R001 | | Type: 1038M | | Enclosure: XPFC | |
|-------------------------------|-------------------|---------------------|--|----------------------------------|-------------------------|
| Nameplate Data | | | 380 V, 50 Hz: High Voltage Connection | | |
| Rated Output (HP) | 25//20 | | Full Load Torque | 36 LB-FT | |
| Volts | 230/460//190/380 | | Start Configuration | direct on line | |
| Full Load Amps | 57/28.5//56/28 | | Breakdown Torque | 139 LB-FT | |
| R.P.M. | 3520//2930 | | Pull-up Torque | 53.4 LB-FT | |
| Hz | 60//50 | Phase | 3 | Locked-rotor Torque | 69 LB-FT |
| NEMA Design Code | B KVA Code | | G | Starting Current | 173 A |
| Service Factor (S.F.) | | | 1 | No-load Current | 7.96 A |
| NEMA Nom. Eff. | 91.7 | Power Factor | 89 | Line-line Res. @ 25°C | 0.294 Ω |
| Rating - Duty | 40C AMB-CONT | | | Temp. Rise @ Rated Load | 55°C |
| | | | | Locked-rotor Power Factor | 27.2 |
| | | | | Rotor inertia | 1.63 LB-FT ² |

Load Characteristics 380 V, 50 Hz, 20 HP

| % of Rated Load | 25 | 50 | 75 | 100 | 125 | 150 |
|------------------------|-----------|-----------|-----------|------------|------------|------------|
| Power Factor | 61 | 80 | 87 | 90 | 90 | 90 |
| Efficiency | 85.6 | 90.2 | 90.8 | 91 | 90 | 89 |
| Speed | 2978 | 2963 | 2946 | 2926 | 2905 | 2881 |
| Line amperes | 10.4 | 15.3 | 21.2 | 27.9 | 34.8 | 42.2 |

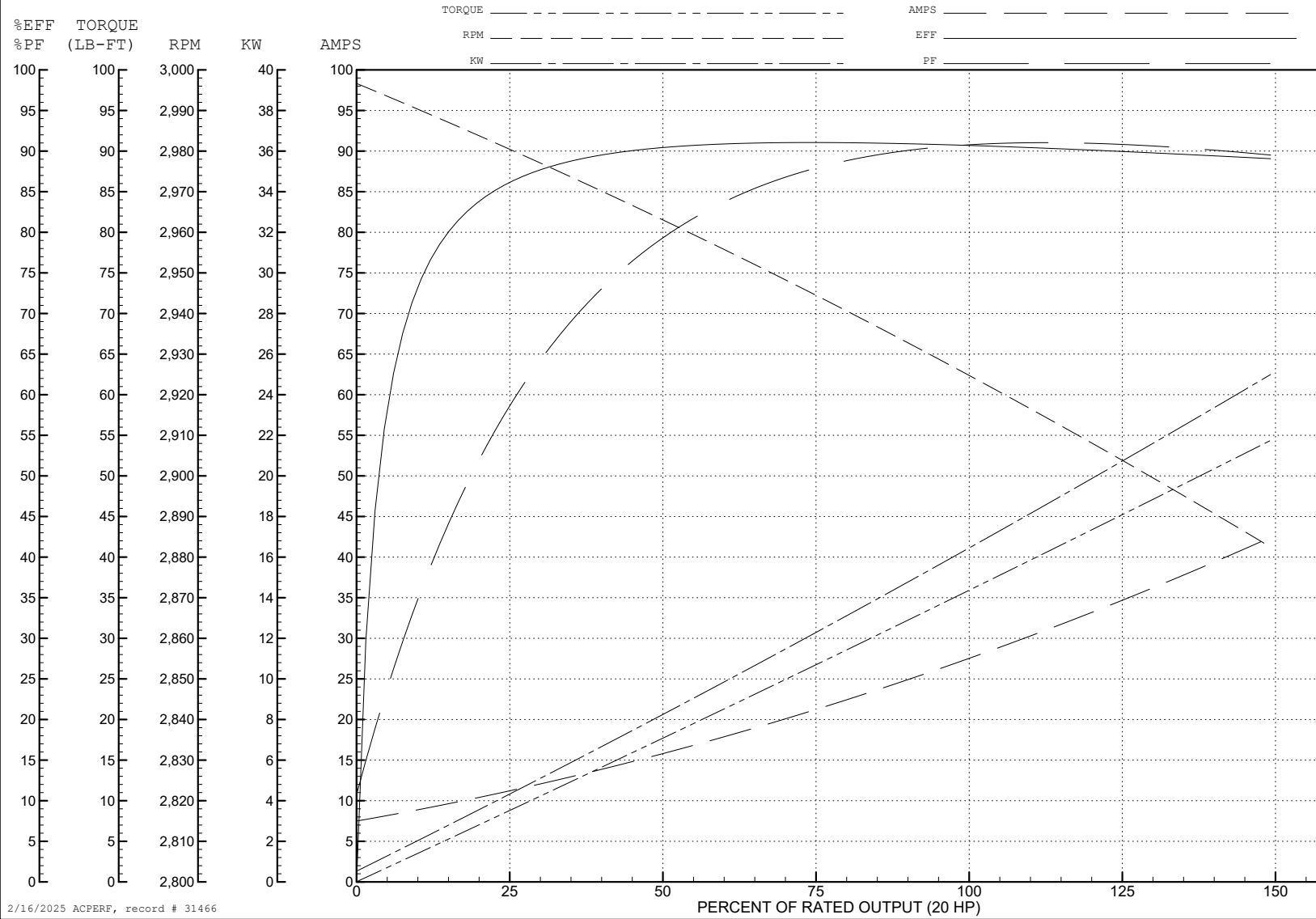
ABB Motors and Mechanical Inc.

WINDING # 10WGY777

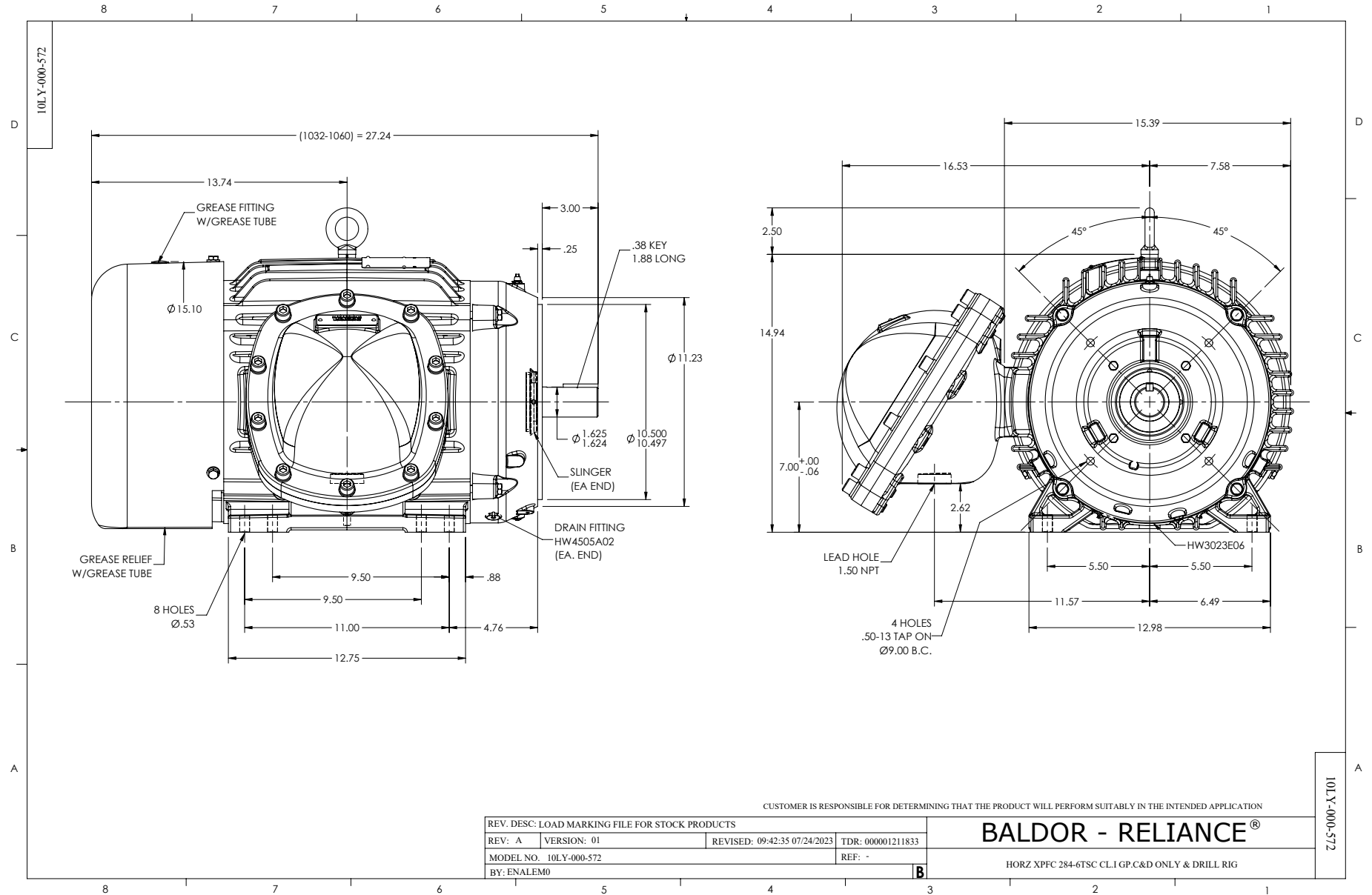
Typical performance - not guaranteed values.

20 HP 3 PH 50 HZ 2926 RPM 380 V 1038M

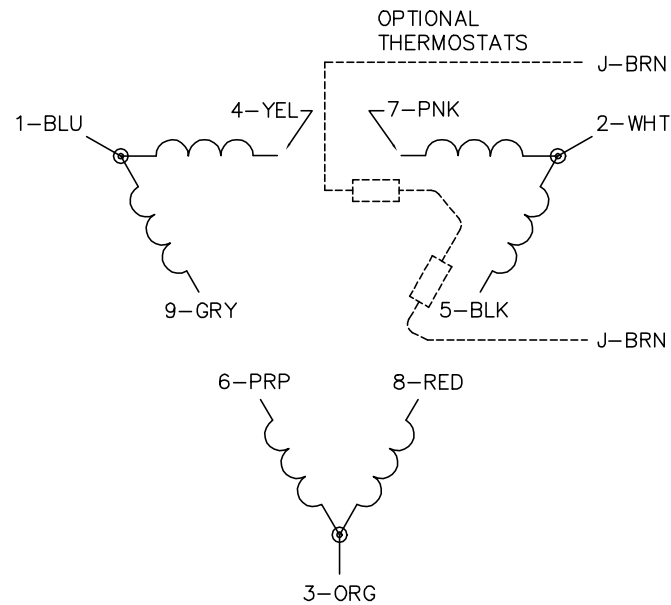
TORQUES (LB-FT): PO=139 PU=53.4 LR=69 LRA=173



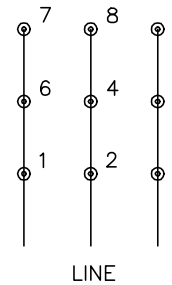
2/16/2025 ACPERF, record # 31466



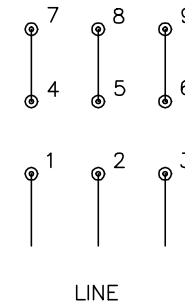
CD0180



LOW VOLTAGE
(2D)



HIGH VOLTAGE
(1D)



NOTES:

1. INTERCHANGE ANY TWO LINE LEADS TO REVERSE ROTATION.
2. OPTIONAL THERMOSTATS ARE PROVIDED WHEN SPECIFIED.
3. ACTUAL NUMBER OF INTERNAL PARALLEL CIRCUITS MAY BE A MULTIPLE OF THOSE SHOWN ABOVE.
4. LEAD COLORS ARE OPTIONAL. LEADS MUST ALWAYS BE NUMBERED AS SHOWN.

CD0180

| | | |
|-----------------------------------|--------------------------------|-------------------|
| REV. DESC: ADD CLASS CONN00000007 | | |
| REV. LTR: D | VERSION: 01 | TDR: 000001099922 |
| FILE: \AAA\00005\148 | REVISED: 10: 25: 29 02/19/2019 | BY: ENBRIRO |
| MTL: - | © □ | |

BALDOR - RELIANCE®

3PH, DV, 9 LEADS, DELTA CONNECTION

SH 1 of 1