

BALDOR • RELIANCE

Customer information packet

CDRX28264T

20HP, 1180//980RPM, 3PH, 60/50HZ, 286TC, XPFC

Class - CLI GP C,D

Division - Division I

Specifications

Enclosure	XPFC
Frame	286TC
Frame Material	Iron
Frequency	50.00 Hz 60.00 Hz
Haz Area Class and Group	CLI GP C,D
Haz Area Division	Division I
Motor Letter Type	Three Phase
Output @ Frequency	15.000 HP @ 50 HZ 20.000 HP @ 60 HZ
Phase	3
Synchronous Speed @ Frequency	1200 RPM @ 60 HZ
Voltage @ Frequency	380.0 V @ 50 HZ 230.0 V @ 60 HZ 190.0 V @ 50 HZ 460.0 V @ 60 HZ
Agency Approvals	CSA EEV UL
Ambient Temperature	40 °C
Auxillary Box	No Auxillary Box
Auxillary Box Lead Termination	None
Base Indicator	Rigid
Bearing Grease Type	Polyrex EM (-20F +300F)
Blower	None
Constant Torque Speed Range	6
Current @ Voltage	54.000 A @ 208.0 V 50.000 A @ 230.0 V 46.000 A @ 190.0 V 25.000 A @ 460.0 V 23.000 A @ 380.0 V
Design Code	B
Drip Cover	No Drip Cover

Part detail

Revision	F
Type	AC
Mech. spec.	
Base	
Status	PRD/A
Elec. spec.	10WGZ033
Layout	10LY-000-133
Eff. date	11-22-2024
CD Diagram	CD0180
Poles	06
Leads	9#10
Proprietary	False
Created date	05-31-2019

Duty Rating	CONT
Efficiency @ 100% Load	91.7 %
Electrically Isolated Bearing	Not Electrically Isolated
Feedback Device	NO FEEDBACK
Haz Area Temp Code	T3C
Heater Indicator	No Heater
High Voltage Full Load Amps	23.0 a
Insulation Class	F
Inverter Code	Inverter Duty
IP Rating	NONE
KVA Code	G
Lifting Lugs	Standard Lifting Lugs
Locked Bearing Indicator	Locked Bearing
Max Speed	1800 rpm
Motor Lead Termination	Flying Leads
Motor Standards	NEMA
Motor Type	1056M
Mounting Arrangement	F1
Number of Poles	6
Overall Length	28.61 IN
Power Factor	78
Product Family	Hazardous Location Motor
Pulley Face Code	C-Face
Rodent Screen	None
RoHS Status	ROHS NON-COMPLIANT
Service Factor	1.00
Shaft Diameter	1.875 IN
Shaft Ground Indicator	No Shaft Grounding
Shaft Rotation	Reversible
Speed	1180 rpm
Speed Code	Single Speed
Starting Method	Direct on line
Thermal Device - Bearing	None
Thermal Device - Winding	Normally Closed Thermostat

Vibration Sensor Indicator	No Vibration Sensor
Winding Thermal 1	None
Winding Thermal 2	None

Nameplate

NP1401XPSLEV

NO.		CC	010A				
S/N		TEMP CODE	T3C				
SPEC.	10-0000-0832	INV.TYPE	PWM				
CAT.NO.	CDRX28264T	C HP FR	60	C HP TO	90		
HP	20//15	CT HZ FROM	6	CT HZ TO	60		
VOLTS	230/460//190/380	VT HZ FROM	6	VT HZ TO	60		
AMPS	50/25//46/23	MAG CUR	21.4/10.7				
RPM	1180//980	MX RPM	1800				
HZ	60//50	PH	3	CL	F	NOM.EFF.	91.7
SER.F.	1.00	DES	B	SL HZ	1	WK2	6.86
FRAME	286TC	RATING	40C AMB-CONT				
	55C AMB @ 1.0 SF, 60C RISE						
	1.15SF ON SINEWAVE		NEMA MG-1 PT.5,IP55				

AC Induction Motor Performance Data

Record # 75701

Typical performance - not guaranteed values

Winding: 10WGZ033-R002		Type: 1056M	Enclosure: XPFC	
Nameplate Data			380 V, 50 Hz: High Voltage Connection	
Rated Output (HP)	20//15	Full Load Torque	80.4 LB-FT	
Volts	230/460//190/380	Start Configuration	direct on line	
Full Load Amps	50/25//46/23	Breakdown Torque	234 LB-FT	
R.P.M.	1180//980	Pull-up Torque	97.19 LB-FT	
Hz	60//50 Phase	Locked-rotor Torque	139 LB-FT	
NEMA Design Code	B KVA Code	Starting Current	142 A	
Service Factor (S.F.)	1	No-load Current	10.54 A	
NEMA Nom. Eff.	91.7 Power Factor	Line-line Res. @ 25°C	0.501 Ω	
Rating - Duty	40C AMB-CONT	Temp. Rise @ Rated Load	45°C	
S.F. Amps		Temp. Rise @ S.F. Load	56°C	
		Locked-rotor Power Factor	33.7	
		Rotor inertia	6.86 LB-FT ²	

Load Characteristics 380 V, 50 Hz, 15 HP

% of Rated Load	25	50	75	100	125	150
Power Factor	41	63	74	79	81	82
Efficiency	87.9	91.8	92.6	92.3	90.8	90.9
Speed	995	991	986	982	977	971
Line amperes	11.71	14.83	18.7	23.4	28.65	34.75

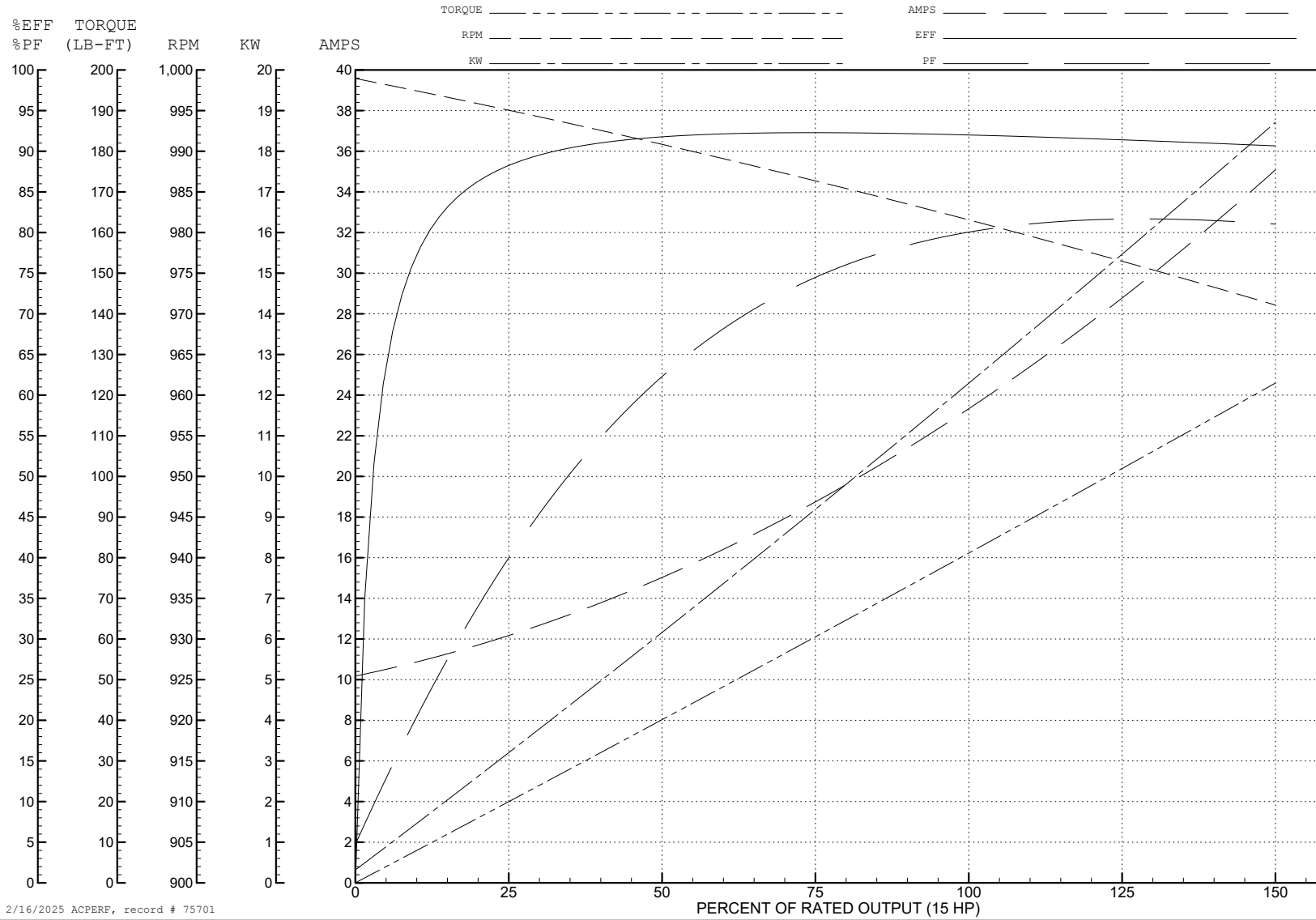
ABB Motors and Mechanical Inc.

WINDING # 10WGZ033

Typical performance - not guaranteed values.

15 HP 3 PH 50 HZ 982 RPM 380 V 1056M

TORQUES (LB-FT): PO=234 PU=97.19 LR=139 LRA=142



2/16/2025 ACPERF, record # 75701

AC Induction Motor Performance Data

Record # 75702

Typical performance - not guaranteed values

Winding: 10WGZ033-R002		Type: 1056M	Enclosure: XPFC	
Nameplate Data			460 V, 60 Hz: High Voltage Connection	
Rated Output (HP)	20//15		Full Load Torque	89.2 LB-FT
Volts	230/460//190/380		Start Configuration	direct on line
Full Load Amps	50/25//46/23		Breakdown Torque	243 LB-FT
R.P.M.	1180//980		Pull-up Torque	94 LB-FT
Hz	60//50	Phase 3	Locked-rotor Torque	134 LB-FT
NEMA Design Code	B	KVA Code G	Starting Current	146 A
Service Factor (S.F.)	1		No-load Current	10.7 A
NEMA Nom. Eff.	91.7	Power Factor 78	Line-line Res. @ 25°C	0.501 Ω
Rating - Duty	40C AMB-CONT		Temp. Rise @ Rated Load	51°C
S.F. Amps			Temp. Rise @ S.F. Load	63°C
			Locked-rotor Power Factor	30.3
			Rotor inertia	6.86 LB-FT ²

Load Characteristics 460 V, 60 Hz, 20 HP

% of Rated Load	25	50	75	100	125	150
Power Factor	44	66	76	80	81	81
Efficiency	88.4	92.2	93.1	92.7	91.3	91.2
Speed	1194	1190	1185	1180	1174	1168
Line amperes	12.1	15.7	20.1	25.4	31.3	38.2

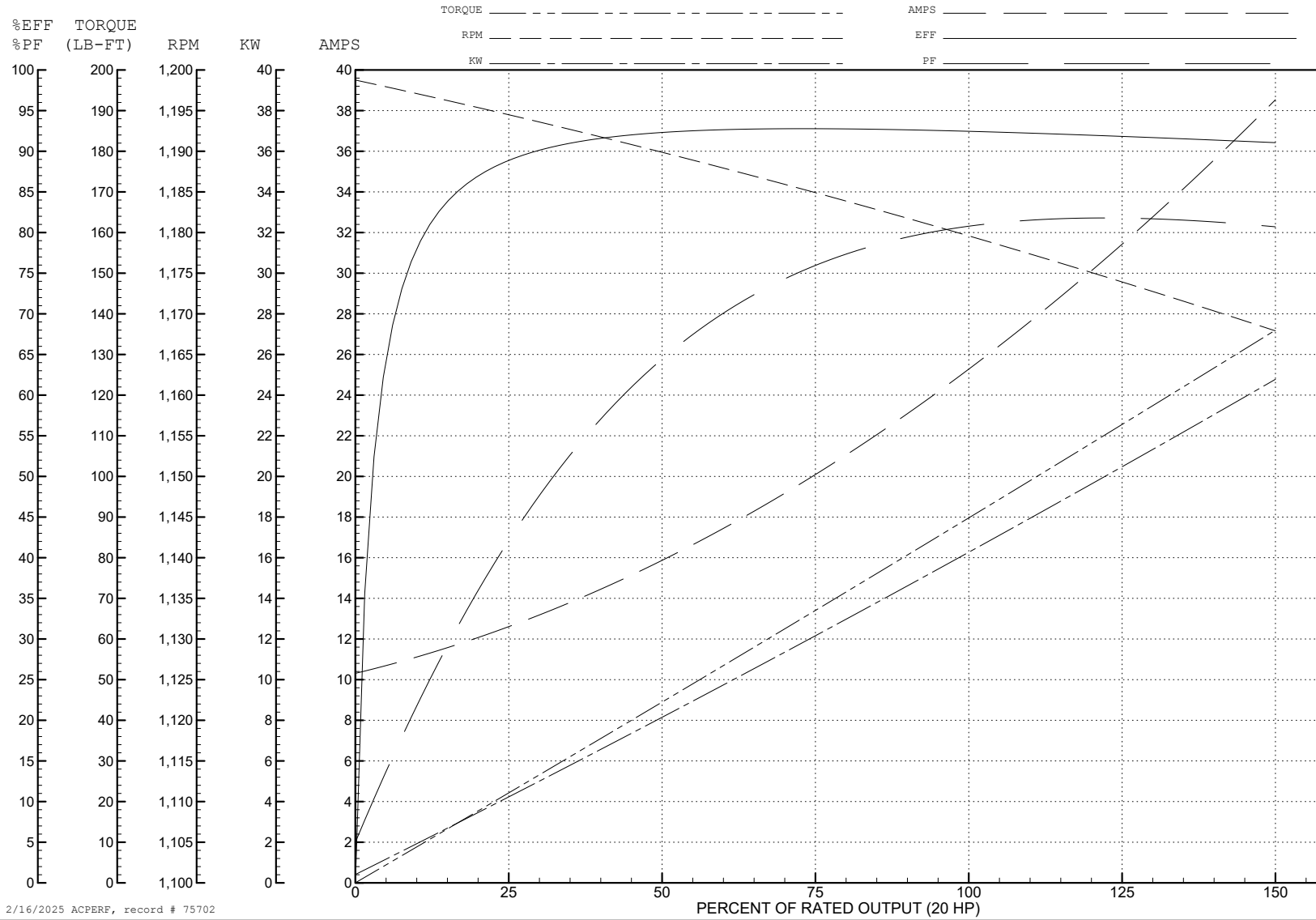
ABB Motors and Mechanical Inc.

WINDING # 10WGZ033

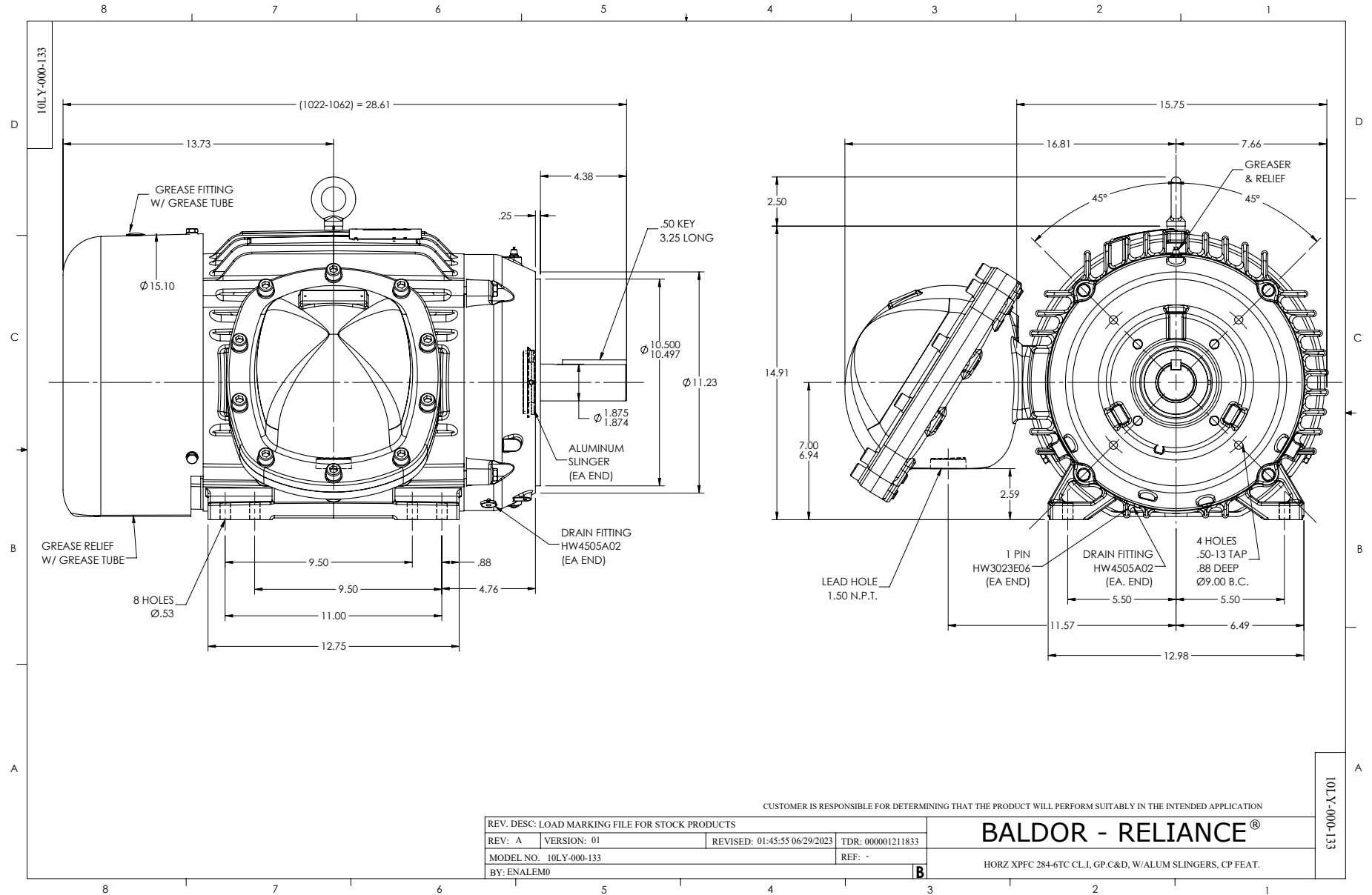
Typical performance - not guaranteed values.

20 HP 3 PH 60 HZ 1180 RPM 460 V 1056M

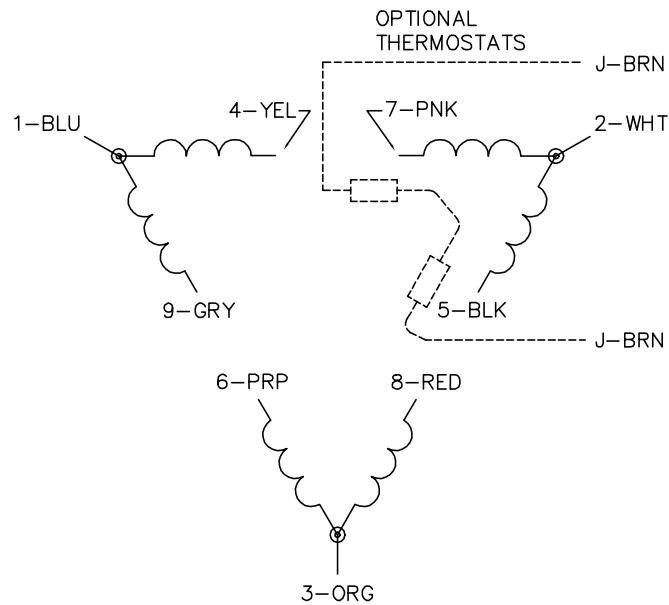
TORQUES (LB-FT): PO=243 PU=94 LR=134 LRA=146



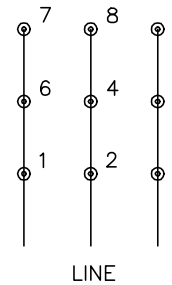
2/16/2025 ACPERF, record # 75702



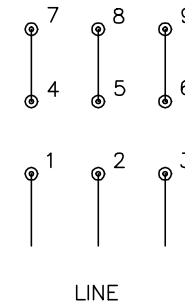
CD0180



LOW VOLTAGE
(2D)



HIGH VOLTAGE
(1D)



NOTES:

1. INTERCHANGE ANY TWO LINE LEADS TO REVERSE ROTATION.
2. OPTIONAL THERMOSTATS ARE PROVIDED WHEN SPECIFIED.
3. ACTUAL NUMBER OF INTERNAL PARALLEL CIRCUITS MAY BE A MULTIPLE OF THOSE SHOWN ABOVE.
4. LEAD COLORS ARE OPTIONAL. LEADS MUST ALWAYS BE NUMBERED AS SHOWN.

CD0180

REV. DESC: ADD CLASS CONN00000007		
REV. LTR: D	VERSION: 01	TDR: 000001099922
FILE: \AAA\00005\148	REVISED: 10: 25: 29 02/19/2019	BY: ENBRIRO
MTL: -	© □	

BALDOR - RELIANCE®

3PH, DV, 9 LEADS, DELTA CONNECTION

SH 1 of 1