

BALDOR® • RELIANCE™

Customer information packet

CDRX28344T

30HP, 1770//1470RPM, 3PH, 60/50HZ, 286TC, XPF

Class - CLI GP C,D

Division - Division I

Specifications

Enclosure	XPFC
Frame	286TC
Frame Material	Iron
Frequency	50.00 Hz 60.00 Hz
Haz Area Class and Group	CLI GP C,D
Haz Area Division	Division I
Motor Letter Type	Three Phase
Output @ Frequency	30.000 HP @ 60 HZ 25.000 HP @ 50 HZ
Phase	3
Synchronous Speed @ Frequency	1800 RPM @ 50 HZ
Voltage @ Frequency	460.0 V @ 60 HZ 190.0 V @ 50 HZ 230.0 V @ 60 HZ 380.0 V @ 50 HZ
Agency Approvals	UL CSA EEV
Ambient Temperature	40 °C
Auxillary Box	No Auxillary Box
Auxillary Box Lead Termination	None
Base Indicator	Rigid
Bearing Grease Type	Polyrex EM (-20F +300F)
Blower	None
Constant Torque Speed Range	6
Current @ Voltage	38.000 A @ 380.0 V 38.000 A @ 460.0 V 76.000 A @ 190.0 V 76.000 A @ 230.0 V
Design Code	A
Drip Cover	No Drip Cover
Duty Rating	CONT

Part detail

Revision	K
Type	AC
Mech. spec.	
Base	
Status	PRD/A
Elec. spec.	10WGY538
Layout	10LY-000-133
Eff. date	11-05-2024
CD Diagram	CD0180
Poles	04
Leads	9#8
Proprietary	False
Created date	05-31-2019

Efficiency @ 100% Load	93.6 %
Electrically Isolated Bearing	Not Electrically Isolated
Feedback Device	NO FEEDBACK
Haz Area Temp Code	T3C
Heater Indicator	No Heater
High Voltage Full Load Amps	38.0 a
Insulation Class	F
Inverter Code	Inverter Duty
IP Rating	NONE
KVA Code	J
Lifting Lugs	Standard Lifting Lugs
Locked Bearing Indicator	Locked Bearing
Max Speed	2700 rpm
Motor Lead Termination	Flying Leads
Motor Standards	NEMA
Motor Type	1056M
Mounting Arrangement	F1
Number of Poles	4
Overall Length	28.61 IN
Power Factor	80
Product Family	Hazardous Location Motor
Pulley Face Code	C-Face
Rodent Screen	None
RoHS Status	ROHS NON-COMPLIANT
Service Factor	1.00
Shaft Diameter	1.875 IN
Shaft Ground Indicator	No Shaft Grounding
Shaft Rotation	Reversible
Speed	1760 rpm
Speed Code	Single Speed
Starting Method	Direct on line
Thermal Device - Bearing	None
Thermal Device - Winding	Normally Closed Thermostat
Vibration Sensor Indicator	No Vibration Sensor

Winding Thermal 1	None
Winding Thermal 2	None

AC Induction Motor Performance Data

Record # 83882

Typical performance - not guaranteed values

Winding: 10WGY538-R047		Type: 1056M		Enclosure: XPFC	
Nameplate Data			460 V, 60 Hz: High Voltage Connection		
Rated Output (HP)	30//25		Full Load Torque	88.7 LB-FT	
Volts	230/460//190/380		Start Configuration	direct on line	
Full Load Amps	76/38		Breakdown Torque	330 LB-FT	
R.P.M.	1760//1475		Pull-up Torque	142 LB-FT	
Hz	60	Phase	3	Locked-rotor Torque	178 LB-FT
NEMA Design Code	A	KVA Code	J	Starting Current	270 A
Service Factor (S.F.)	1		No-load Current	17.9 A	
NEMA Nom. Eff.	93.6	Power Factor	80	Line-line Res. @ 25°C	0.19377 Ω
Rating - Duty	40C AMB-CONT		Temp. Rise @ Rated Load	64°C	
			Locked-rotor Power Factor	30.9	
			Rotor inertia	4.47 lb-ft ²	

Load Characteristics 460 V, 60 Hz, 30 HP

% of Rated Load	25	50	75	100	125	150
Power Factor	41	63	73	80	82	85
Efficiency	87.6	92.3	93.5	93.7	93.4	92.9
Speed	1792.2	1787.6	1782.4	1776.5	1770.3	1762.1
Line amperes	19.8	24.3	30.7	37.6	45.6	55.2

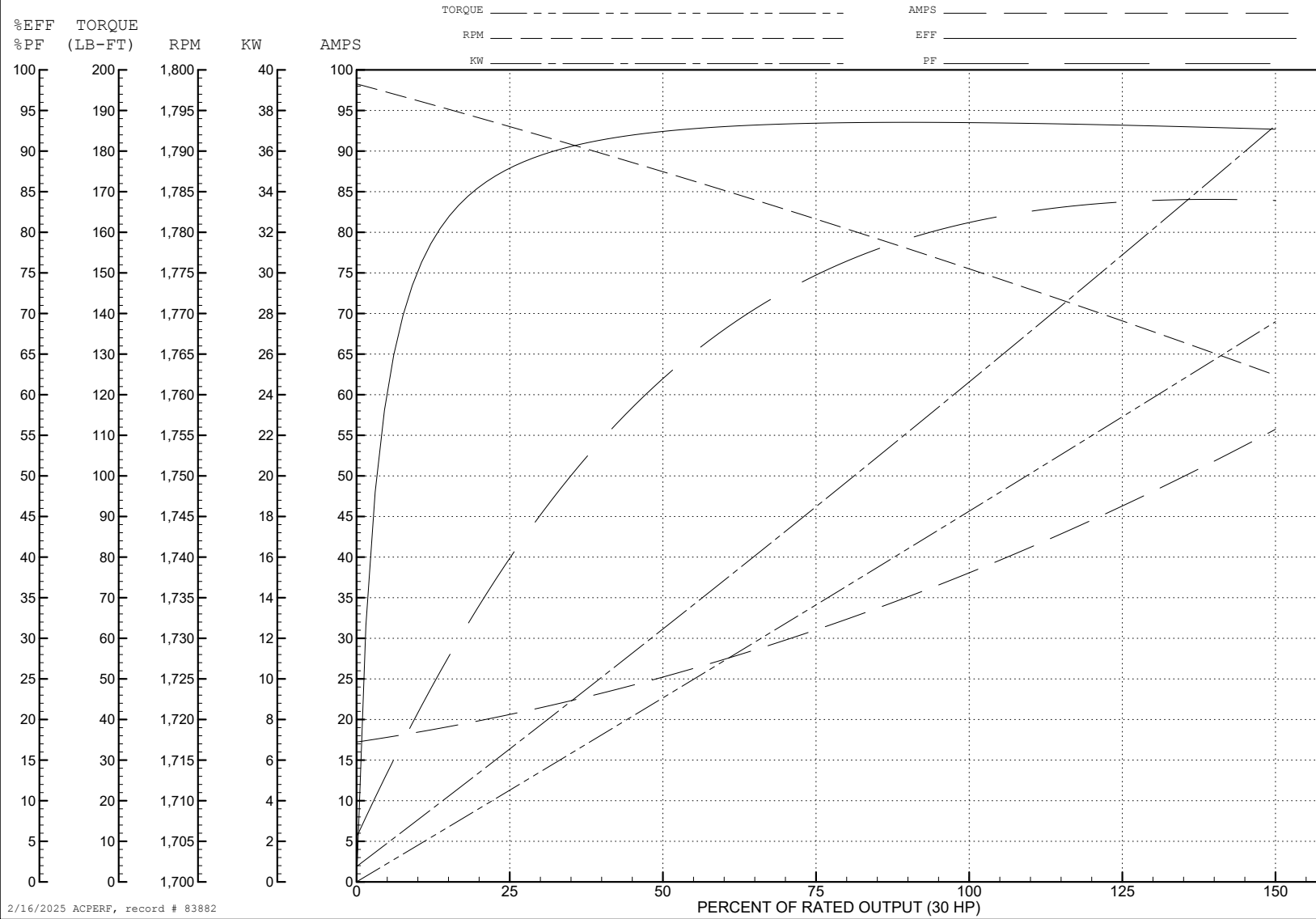
ABB Motors and Mechanical Inc.

WINDING # 10WGY538

Typical performance - not guaranteed values.

30 HP 3 PH 60 HZ 1776.5 RPM 460 V 1056M

TORQUES (LB-FT): PO=330 PU=142 LR=178 LRA=270



2/16/2025 ACPERF, record # 83882

AC Induction Motor Performance Data

Record # 83883

Typical performance - not guaranteed values

Winding: 35WGM218-R026		Type: 3516M		Enclosure: TEFC	
Nameplate Data			575 V, 60 Hz: Single Voltage Motor		
Rated Output (HP)	.75	Full Load Torque	2.22 LB-FT		
Volts	575	Start Configuration	direct on line		
Full Load Amps	.9	Breakdown Torque	10.6 LB-FT		
R.P.M.	1750	Pull-up Torque	6.34 LB-FT		
Hz	60	Phase	3	Locked-rotor Torque	7.57 LB-FT
NEMA Design Code	B	KVA Code	M	Starting Current	7.89 A
Service Factor (S.F.)	1.25	No-load Current	0.621 A		
NEMA Nom. Eff.	84	Power Factor	71	Line-line Res. @ 25°C	34.7 Ω
Rating - Duty	40C AMB-CONT		Temp. Rise @ Rated Load	30°C	
S.F. Amps	1.1	Temp. Rise @ S.F. Load	38°C		
		Locked-rotor Power Factor	65.1		
		Rotor inertia	0.0946 lb-ft ²		

Load Characteristics 575 V, 60 Hz, 0.75 HP

% of Rated Load	25	50	75	100	125	150	S.F.
Power Factor	31	48	62	71	78	83	78
Efficiency	68.4	80	83.4	84.4	84.3	82.1	84.3
Speed	1790	1778	1766	1753	1739	1722	1739
Line amperes	0.647	0.711	0.808	0.924	1.07	1.24	1.07

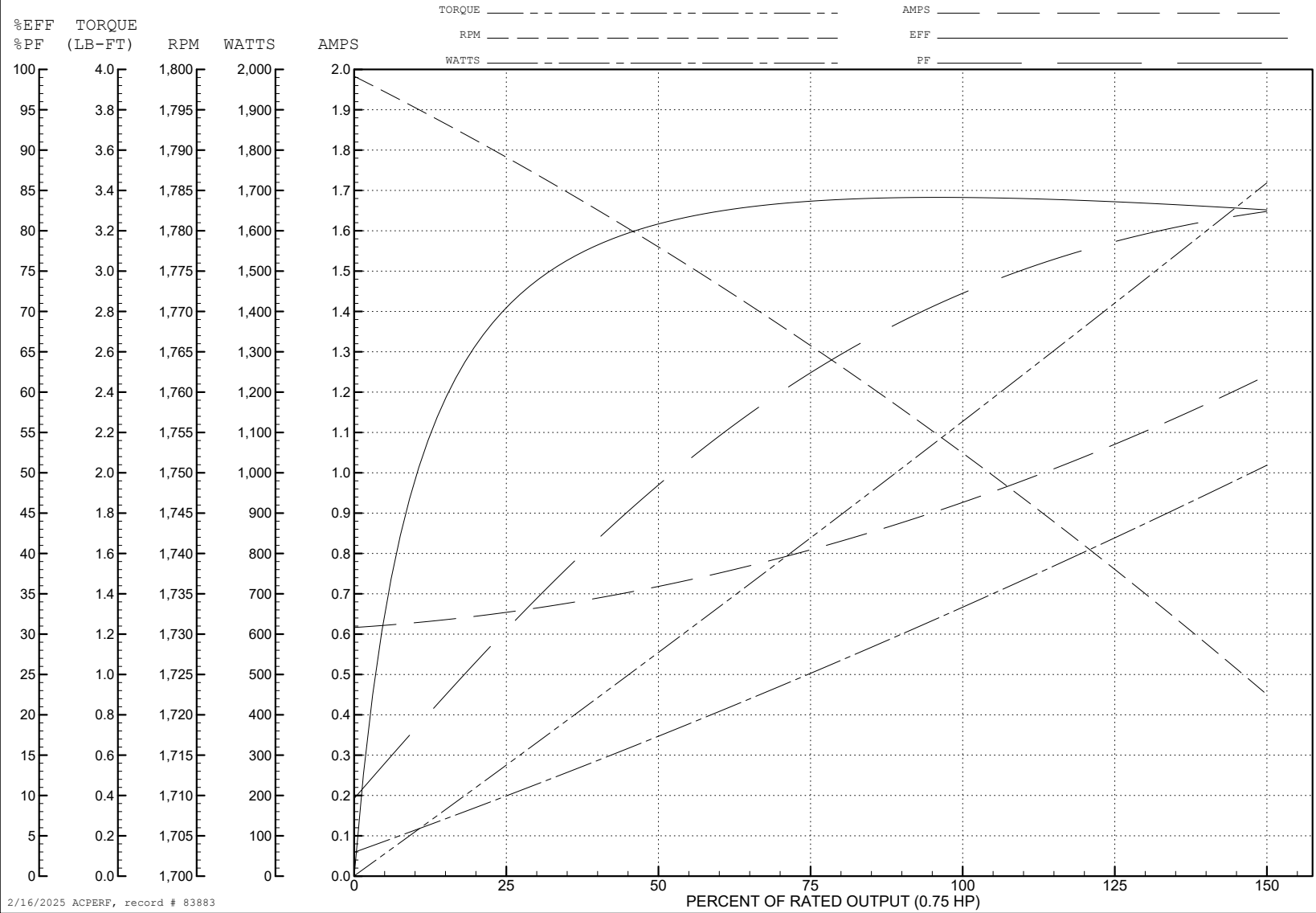
ABB Motors and Mechanical Inc.

WINDING # 35WGM218

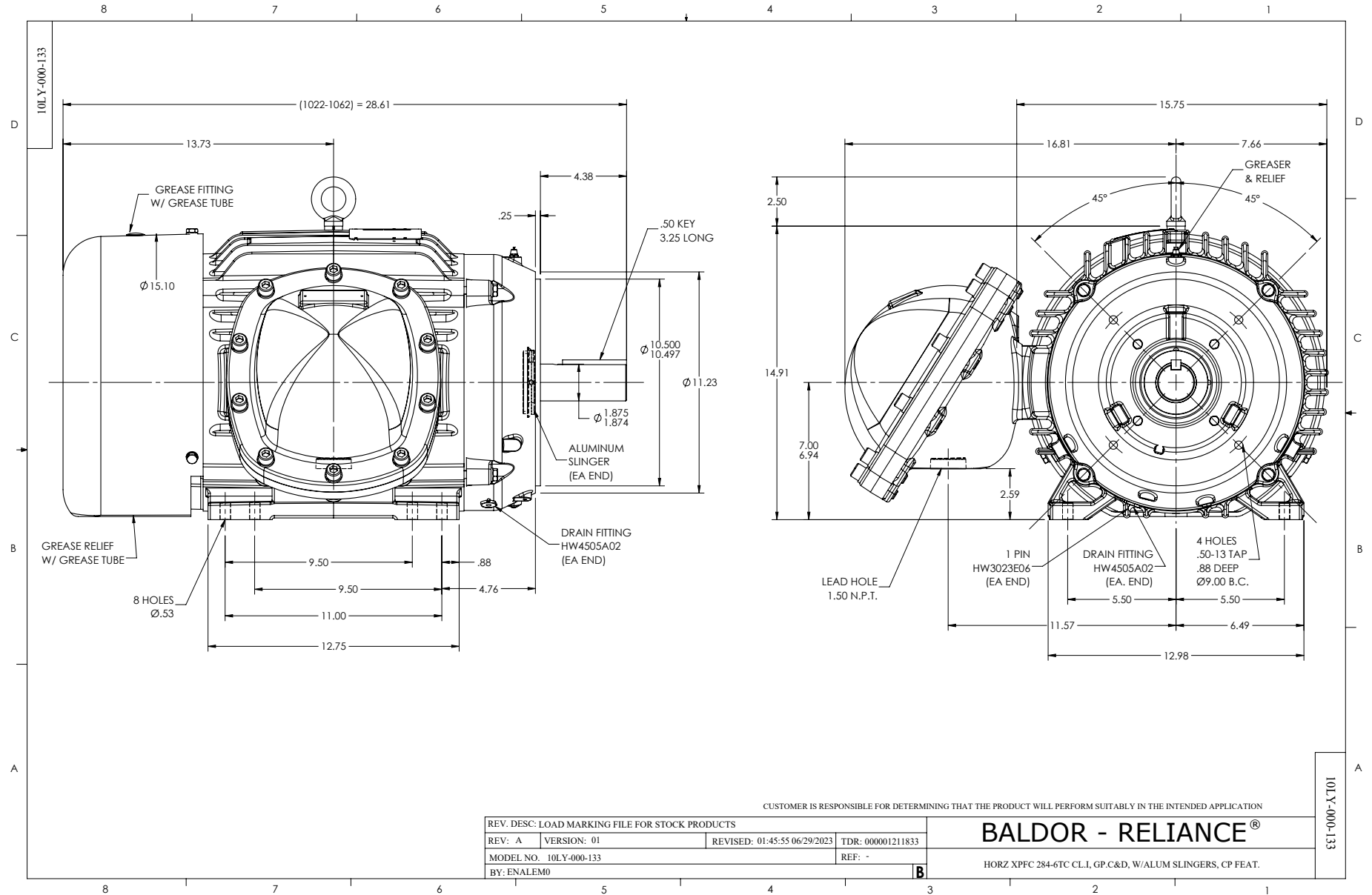
0.75 HP 3 PH 60 HZ 1750 RPM 575 V 3516M

Typical performance - not guaranteed values.

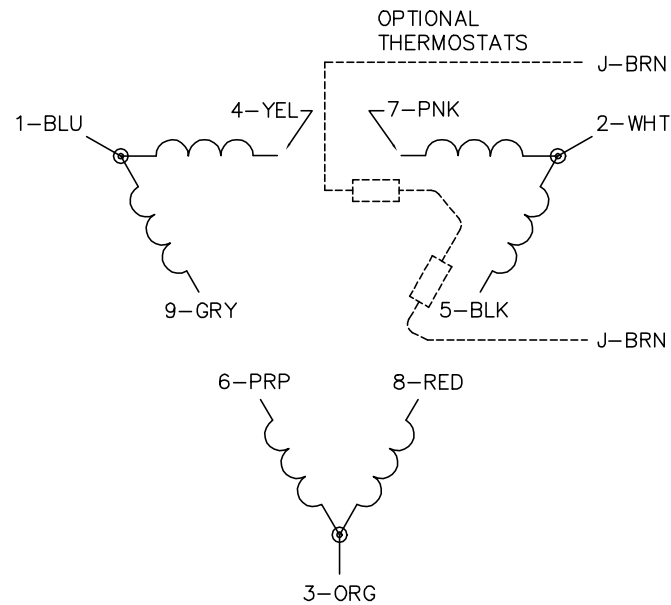
TORQUES (LB-FT): PO=10.6 PU=6.34 LR=7.57 LRA=7.89



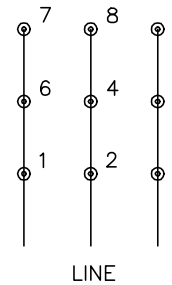
2/16/2025 ACPERF, record # 83883



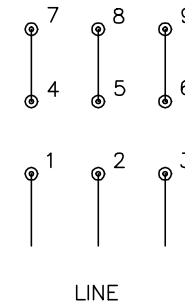
CD0180



LOW VOLTAGE
(2D)



HIGH VOLTAGE
(1D)



NOTES:

1. INTERCHANGE ANY TWO LINE LEADS TO REVERSE ROTATION.
2. OPTIONAL THERMOSTATS ARE PROVIDED WHEN SPECIFIED.
3. ACTUAL NUMBER OF INTERNAL PARALLEL CIRCUITS MAY BE A MULTIPLE OF THOSE SHOWN ABOVE.
4. LEAD COLORS ARE OPTIONAL. LEADS MUST ALWAYS BE NUMBERED AS SHOWN.

CD0180

REV. DESC: ADD CLASS CONN00000007		
REV. LTR: D	VERSION: 01	TDR: 000001099922
FILE: \AAA\00005\148	REVISED: 10: 25: 29 02/19/2019	BY: ENBRIRO
MTL: -	© □	

BALDOR - RELIANCE®

3PH, DV, 9 LEADS, DELTA CONNECTION

SH 1 of 1