



---

# Customer information packet

## CPX282546T

25HP, 1775//1475RPM, 3PH, 60HZ, 284T, XPFC, F1

Class - CLI GP C,D; CLII GP E,F,G

Division - Division I

## Specifications

Enclosure	XPFC
Frame	284T
Frame Material	Iron
Frequency	60.00 Hz
Haz Area Class and Group	CLI GP C,D; CLII GP E,F,G
Haz Area Division	Division I
Motor Letter Type	Three Phase
Output @ Frequency	20.000 HP @ 50 HZ 25.000 HP @ 60 HZ
Phase	3
Synchronous Speed @ Frequency	1800 RPM @ 60 HZ
Voltage @ Frequency	230.0 V @ 60 HZ 190.0 V @ 50 HZ 460.0 V @ 60 HZ 380.0 V @ 50 HZ
Agency Approvals	UL CSA EEV
Ambient Temperature	40 °C
Auxillary Box	No Auxillary Box
Auxillary Box Lead Termination	None
Base Indicator	Rigid
Bearing Grease Type	Polyrex EM (-20F +300F)
Blower	None
Constant Torque Speed Range	6
Current @ Voltage	62.000 A @ 230.0 V 60.000 A @ 190.0 V 31.000 A @ 460.0 V 30.000 A @ 380.0 V
Design Code	A
Drip Cover	No Drip Cover
Duty Rating	CONT
Efficiency @ 100% Load	93.6 %

## Part detail

Revision	P
Type	AC
Mech. spec.	
Base	
Status	PRD/A
Elec. spec.	10WGZ651
Layout	10LY-000-185
Eff. date	11-05-2024
CD Diagram	CD0180
Poles	04
Leads	9#10
Proprietary	False
Created date	02-19-2019

Electrically Isolated Bearing	Not Electrically Isolated
Enclosure Modification	Severe Duty Features
Feedback Device	NO FEEDBACK
Haz Area Temp Code	T3C
Heater Indicator	No Heater
High Voltage Full Load Amps	30.0 a
Insulation Class	F
Inverter Code	Inverter Duty
IP Rating	IP55
KVA Code	J
Lifting Lugs	Standard Lifting Lugs
Locked Bearing Indicator	Locked Bearing
Max Speed	2700 rpm
Motor Lead Termination	Flying Leads
Motor Standards	NEMA
Motor Type	1054M
Mounting Arrangement	F1
Number of Poles	4
Overall Length	28.67 IN
Power Factor	81
Product Family	Chemical Process Features
Pulley Face Code	Standard
Rodent Screen	None
RoHS Status	ROHS NON-COMPLIANT
Service Factor	1.00
Shaft Diameter	1.875 IN
Shaft Ground Indicator	No Shaft Grounding
Shaft Rotation	Reversible
Speed	1775 rpm
Speed Code	Single Speed
Starting Method	Direct on line
Thermal Device - Bearing	None
Thermal Device - Winding	Normally Closed Thermostat
Vibration Sensor Indicator	No Vibration Sensor

Winding Thermal 1	None
Winding Thermal 2	None

---

**Nameplate**

NP2033XPSLEV										
<b>NO.</b>		<b>CC</b>	010A							
<b>S/N</b>		<b>TEMP CODE</b>	T3C							
<b>SPEC.</b>	10-0000-0557		<b>INV.TYPE</b>	PWM						
<b>CAT.NO.</b>	CPX282546T		<b>C HP FR</b>	60	<b>C HP TO</b>	90				
<b>HP</b>	25//20		<b>CT HZ FROM</b>	6	<b>CT HZ TO</b>	60				
<b>VOLTS</b>	230/460//190/380		<b>VT HZ FROM</b>	6	<b>VT HZ TO</b>	60				
<b>AMPS</b>	62/31//60/30		<b>MAG CUR</b>	28/14						
<b>RPM</b>	1775//1475		<b>MX RPM</b>	2700						
<b>HZ</b>	60//50	<b>PH</b>	3	<b>CL</b>	F	<b>NOM.EFF.</b>	93.6			
<b>SER.F.</b>	1.00	<b>DES</b>	A	<b>SL HZ</b>	0.83	<b>WK2</b>	4.13			
<b>FRAME</b>	284T	<b>RATING</b>	40C AMB-CONT							
<b>BLANK</b>	55C AMB @ 1.0SF, 60C RISE									
	1.15SF ON SINEWAVE		NEMA MG-1 PT.5,IP55							

**AC Induction Motor Performance Data**

Record # 67462

Typical performance - not guaranteed values

<b>Winding: 10WGZ651-R004</b>		<b>Type: 1054M</b>		<b>Enclosure: XPFC</b>		
<b>Nameplate Data</b>			<b>460 V, 60 Hz: High Voltage Connection</b>			
<b>Rated Output (HP)</b>	25		<b>Full Load Torque</b>	74.02 LB-FT		
<b>Volts</b>	230/460		<b>Start Configuration</b>	direct on line		
<b>Full Load Amps</b>	62/31		<b>Breakdown Torque</b>	262 LB-FT		
<b>R.P.M.</b>	1775		<b>Pull-up Torque</b>	118 LB-FT		
<b>Hz</b>	60	<b>Phase</b>	3	<b>Locked-rotor Torque</b>	142 LB-FT	
<b>NEMA Design Code</b>	A		<b>KVA Code</b>	J	<b>Starting Current</b>	223 A
<b>Service Factor (S.F.)</b>	1		<b>No-load Current</b>	13.6 A		
<b>NEMA Nom. Eff.</b>	93.6	<b>Power Factor</b>	81	<b>Line-line Res. @ 25°C</b>	0.2345 Ω	
<b>Rating - Duty</b>	40C AMB-CONT		<b>Temp. Rise @ Rated Load</b>	51°C		
			<b>Locked-rotor Power Factor</b>	30.6		

**Load Characteristics 460 V, 60 Hz, 25 HP**

<b>% of Rated Load</b>	<b>25</b>	<b>50</b>	<b>75</b>	<b>100</b>	<b>125</b>	<b>150</b>
<b>Power Factor</b>	43	65	76	81	84	85
<b>Efficiency</b>	88.3	92.8	93.9	94	93.7	93.1
<b>Speed</b>	1794.1	1789.3	1783.5	1777.8	1770.8	1763.8
<b>Line amperes</b>	15.3	19.3	24.6	30.6	37.2	44.5

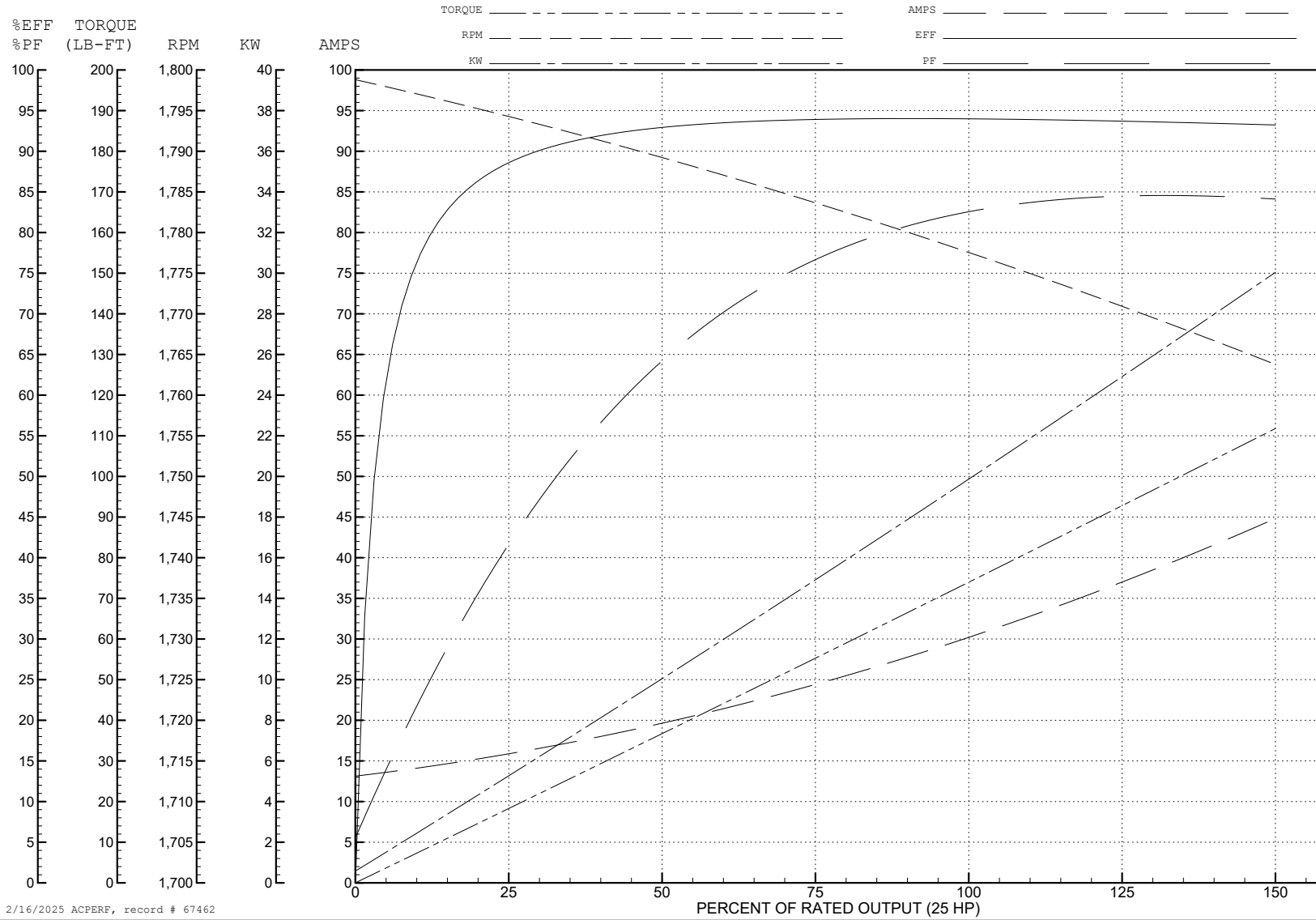
ABB Motors and Mechanical Inc.

WINDING # 10WGZ651

Typical performance - not guaranteed values.

25 HP 3 PH 60 HZ 1775 RPM 460 V 1054M

TORQUES (LB-FT): PO=262 PU=118 LR=142 LRA=223



2/16/2025 ACPERF, record # 67462

## AC Induction Motor Performance Data

Record # 74484

Typical performance - not guaranteed values

Winding: 10WGZ651-R024		Type: 1054M	Enclosure: XPFC			
<b>Nameplate Data</b>			<b>380 V, 50 Hz: High Voltage Connection</b>			
Rated Output (HP)	25//20		Full Load Torque	71.24 LB-FT		
Volts	230/460//190/380		Start Configuration	direct on line		
Full Load Amps	62/31//60/30		Breakdown Torque	254 LB-FT		
R.P.M.	1775//1475		Pull-up Torque	121 LB-FT		
Hz	60//50	Phase	3	Locked-rotor Torque	146 LB-FT	
NEMA Design Code	A		KVA Code	J	Starting Current	213 A
Service Factor (S.F.)	1			No-load Current	13.24 A	
NEMA Nom. Eff.	93.6	Power Factor	81	Line-line Res. @ 25°C	0.231 Ω	
Rating - Duty	40C AMB-CONT			Temp. Rise @ Rated Load	48°C	
S.F. Amps				Temp. Rise @ S.F. Load	58°C	
				Locked-rotor Power Factor	33.9	
				Rotor inertia	4.31 LB-FT <sup>2</sup>	

## Load Characteristics 380 V, 50 Hz, 20 HP

% of Rated Load	25	50	75	100	125	150
Power Factor	43	66	76	82	84	85
Efficiency	88.8	93	93.8	93.8	93.3	92.9
Speed	1494	1490	1484	1479	1472	1465
Line amperes	14.85	18.69	23.83	29.65	36.06	43.17

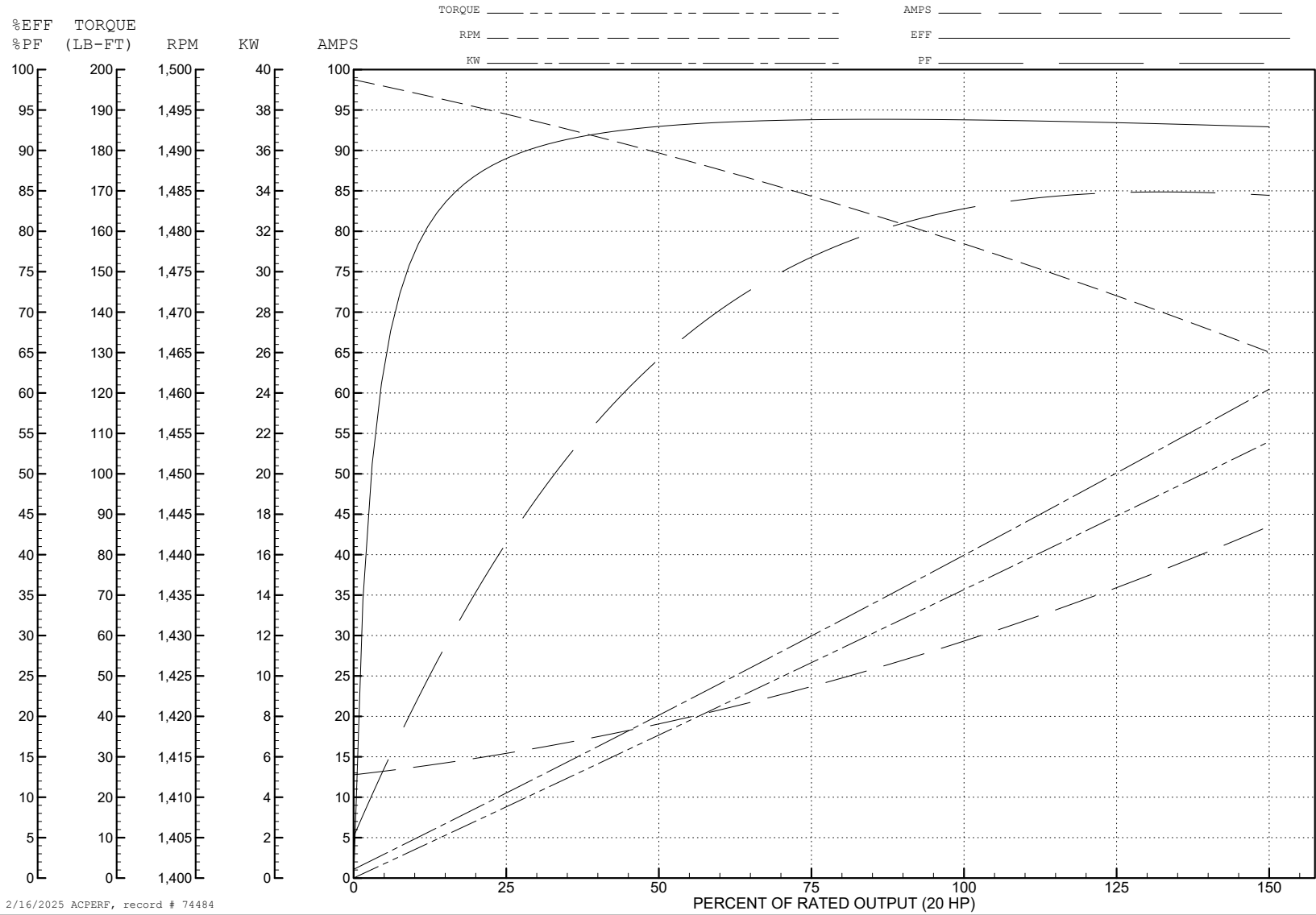
ABB Motors and Mechanical Inc.

WINDING # 10WGZ651

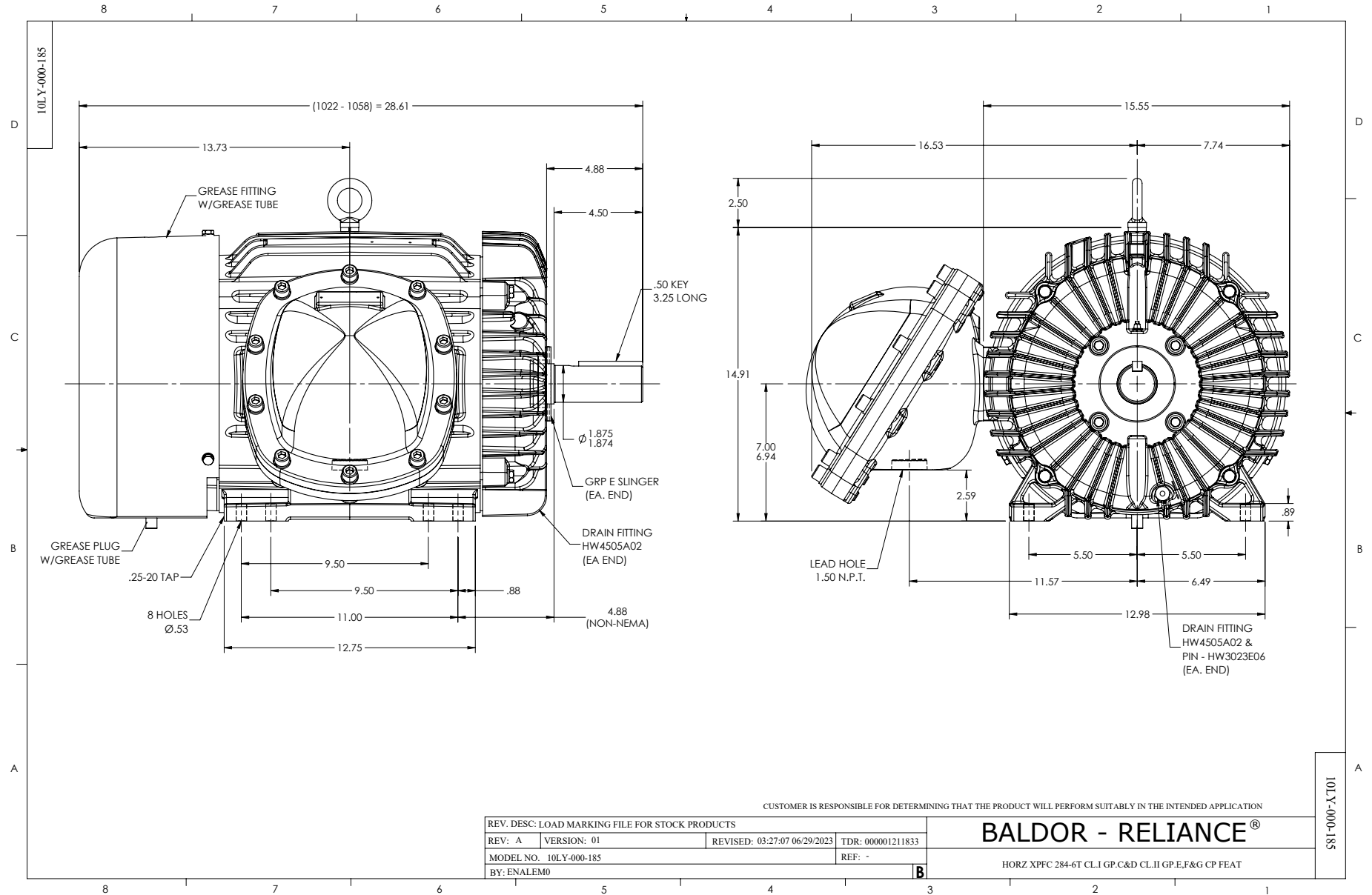
Typical performance - not guaranteed values.

20 HP 3 PH 50 HZ 1479 RPM 380 V 1054M

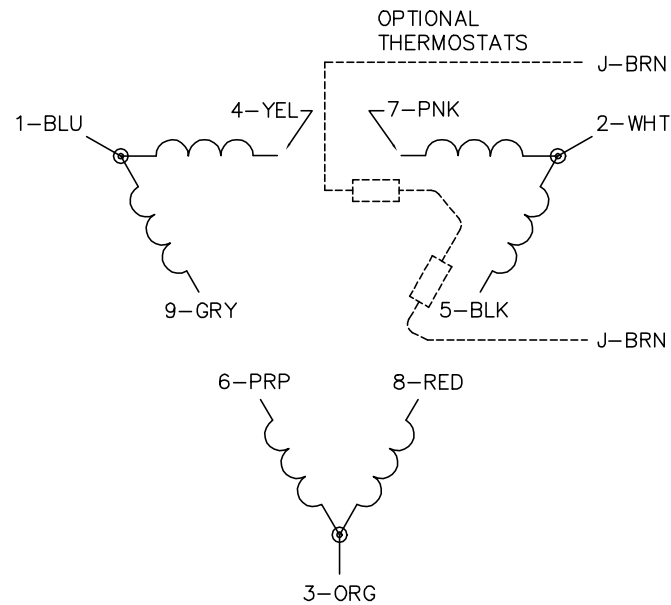
TORQUES (LB-FT): PO=254 PU=121 LR=146 LRA=213



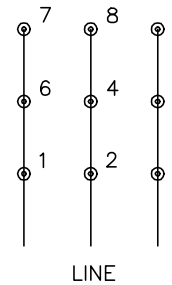
2/16/2025 ACPERF, record # 74484



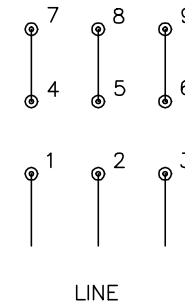
CD0180



LOW VOLTAGE  
(2D)



HIGH VOLTAGE  
(1D)



NOTES:

1. INTERCHANGE ANY TWO LINE LEADS TO REVERSE ROTATION.
2. OPTIONAL THERMOSTATS ARE PROVIDED WHEN SPECIFIED.
3. ACTUAL NUMBER OF INTERNAL PARALLEL CIRCUITS MAY BE A MULTIPLE OF THOSE SHOWN ABOVE.
4. LEAD COLORS ARE OPTIONAL. LEADS MUST ALWAYS BE NUMBERED AS SHOWN.

CD0180

REV. DESC: ADD CLASS CONN00000007		
REV. LTR: D	VERSION: 01	TDR: 000001099922
FILE: \AAA\00005\148	REVISED: 10: 25: 29 02/19/2019	BY: ENBRIRO
MTL: -	© □	

**BALDOR - RELIANCE®**

3PH, DV, 9 LEADS, DELTA CONNECTION

SH 1 of 1