

BALDOR • RELIANCE

Customer information packet

DRX181564T

1.5HP, 1170//970RPM, 3PH, 60HZ, 182T, XPFC, F1

Class - CLI GP C,D

Division - Division I

Specifications

Enclosure	XPFC
Frame	182T
Frame Material	Iron
Frequency	50.00 Hz 60.00 Hz
Haz Area Class and Group	CLI GP C,D
Haz Area Division	Division I
Motor Letter Type	Three Phase
Output @ Frequency	1.500 HP @ 60 HZ 1.000 HP @ 50 HZ
Phase	3
Synchronous Speed @ Frequency	1200 RPM @ 60 HZ
Voltage @ Frequency	460.0 V @ 60 HZ 190.0 V @ 50 HZ 230.0 V @ 60 HZ 380.0 V @ 50 HZ
Agency Approvals	UL CSA EEV
Ambient Temperature	40 °C
Auxillary Box	No Auxillary Box
Auxillary Box Lead Termination	None
Base Indicator	Rigid
Bearing Grease Type	Polyrex EM (-20F +300F)
Blower	None
Constant Torque Speed Range	6
Current @ Voltage	2.297 A @ 380.0 V 2.500 A @ 460.0 V 4.400 A @ 190.0 V 5.000 A @ 230.0 V
Design Code	B
Drip Cover	No Drip Cover
Duty Rating	CONT

Part detail

Revision	C
Type	AC
Mech. spec.	
Base	
Status	PRD/A
Elec. spec.	06WGW969
Layout	06LY-000-044
Eff. date	02-28-2024
CD Diagram	CD0005
Poles	06
Leads	9#16
Proprietary	False
Created date	05-01-2019

Efficiency @ 100% Load	87.5 %
Electrically Isolated Bearing	Not Electrically Isolated
Feedback Device	NO FEEDBACK
Haz Area Temp Code	T3C
Heater Indicator	No Heater
High Voltage Full Load Amps	2.3 a
Insulation Class	F
Inverter Code	Inverter Duty
IP Rating	NONE
KVA Code	K
Lifting Lugs	Standard Lifting Lugs
Locked Bearing Indicator	Locked Bearing
Max Speed	1800 rpm
Motor Lead Termination	Flying Leads
Motor Standards	NEMA
Motor Type	0630M
Mounting Arrangement	F1
Number of Poles	6
Overall Length	17.56 IN
Power Factor	65
Product Family	General Purpose
Pulley Face Code	Standard
Rodent Screen	None
RoHS Status	ROHS NON-COMPLIANT
Service Factor	1.00
Shaft Diameter	1.125 IN
Shaft Ground Indicator	No Shaft Grounding
Shaft Rotation	Reversible
Speed	1170 rpm
Speed Code	Single Speed
Starting Method	Direct on line
Thermal Device - Bearing	None
Thermal Device - Winding	Normally Closed Thermostat
Vibration Sensor Indicator	No Vibration Sensor

Winding Thermal 1	None
Winding Thermal 2	None

Nameplate

NP1401XPSLEV

NO.		CC	010A				
S/N		TEMP CODE	T3C				
SPEC.	06-0000-0118	INV.TYPE	PWM				
CAT.NO.	DRX181564T	C HP FR	60	C HP TO	90		
HP	1.5//1	CT HZ FROM	6	CT HZ TO	60		
VOLTS	230/460//190/380	VT HZ FROM	6	VT HZ TO	60		
AMPS	5/2.5//4.4/2.297	MAG CUR	3/1.5				
RPM	1170//970	MX RPM	1800				
HZ	60//50	PH	3	CL	F	NOM.EFF.	87.5
SER.F.	1.00	DES	B	SL HZ	1.5	WK2	0.282
FRAME	182T	RATING	40C AMB-CONT				
	55C AMB @1.0SF						
	1.15SF SINEWAVE		NEMA MG-1 PT 5,IP55				

AC Induction Motor Performance Data

Record # 75917

Typical performance - not guaranteed values

Winding: 06WGW969-R007		Type: 0630M	Enclosure: TEFC	
Nameplate Data			460 V, 60 Hz: High Speed Connection	
Rated Output (HP)	1.5//1	Full Load Torque	6.76 LB-FT	
Volts	230/460//190/380	Start Configuration	direct on line	
Full Load Amps	5/2.5//4.4/2.2970	Breakdown Torque	23.83 LB-FT	
R.P.M.	1170	Pull-up Torque	12.5 LB-FT	
Hz	60//50 Phase	Locked-rotor Torque	15.8 LB-FT	
NEMA Design Code	B KVA Code	Starting Current	16.19 A	
Service Factor (S.F.)	1	No-load Current	1.63 A	
NEMA Nom. Eff.	87.5 Power Factor	Line-line Res. @ 25°C	7.01 Ω	
Rating - Duty	40C AMB-CONT	Temp. Rise @ Rated Load	27°C	
S.F. Amps		Temp. Rise @ S.F. Load	31°C	
		Locked-rotor Power Factor	30.4	
		Rotor inertia	0.282 LB-FT ²	

Load Characteristics 460 V, 60 Hz, 1.5 HP

% of Rated Load	25	50	75	100	125	150
Power Factor	29	45	57	65	70	73
Efficiency	71.5	81.5	84.5	85.7	85.6	84.5
Speed	1193	1186	1179	1171	1163	1152
Line amperes	1.71	1.92	2.21	2.54	2.95	3.42

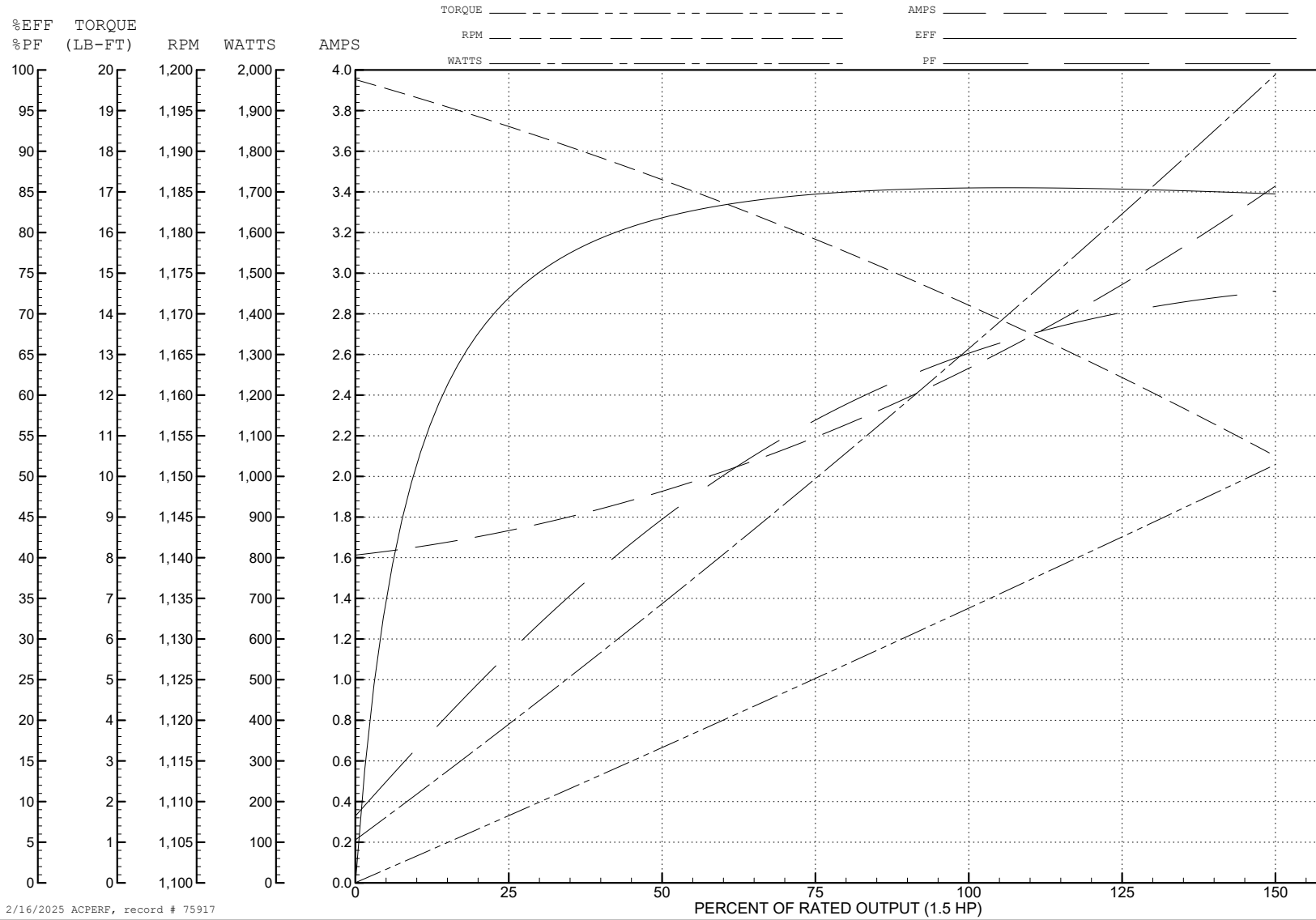
ABB Motors and Mechanical Inc.

WINDING # 06WGW969

Typical performance - not guaranteed values.

1.5 HP 3 PH 60 HZ 1170 RPM 460 V 0630M

TORQUES (LB-FT): PO=23.83 PU=12.5 LR=15.8 LRA=16.19



2/16/2025 ACPERF, record # 75917

AC Induction Motor Performance Data

Record # 75918

Typical performance - not guaranteed values

Winding: 06WGW969-R007		Type: 0630M	Enclosure: TEFC	
Nameplate Data			380 V, 50 Hz: High Voltage Connection	
Rated Output (HP)	1.5//1	Full Load Torque	5.42 LB-FT	
Volts	230/460//190/380	Start Configuration	direct on line	
Full Load Amps	5/2.5//4.4/2.2970	Breakdown Torque	22.86 LB-FT	
R.P.M.	1170	Pull-up Torque	13.14 LB-FT	
Hz	60//50 Phase	Locked-rotor Torque	16.61 LB-FT	
NEMA Design Code	B KVA Code	Starting Current	15.76 A	
Service Factor (S.F.)	1	No-load Current	1.61 A	
NEMA Nom. Eff.	87.5 Power Factor	Line-line Res. @ 25°C	7.01 Ω	
Rating - Duty	40C AMB-CONT	Temp. Rise @ Rated Load	21°C	
		Locked-rotor Power Factor	34.4	
		Rotor inertia	0.282 LB-FT ²	

Load Characteristics 380 V, 50 Hz, 1 HP

% of Rated Load	25	50	75	100	125	150
Power Factor	25	40	51	60	66	71
Efficiency	68.3	79.4	83.2	84.8	84.9	84.1
Speed	994	989	983	977	970	962
Line amperes	1.66	1.81	2.01	2.24	2.54	2.87

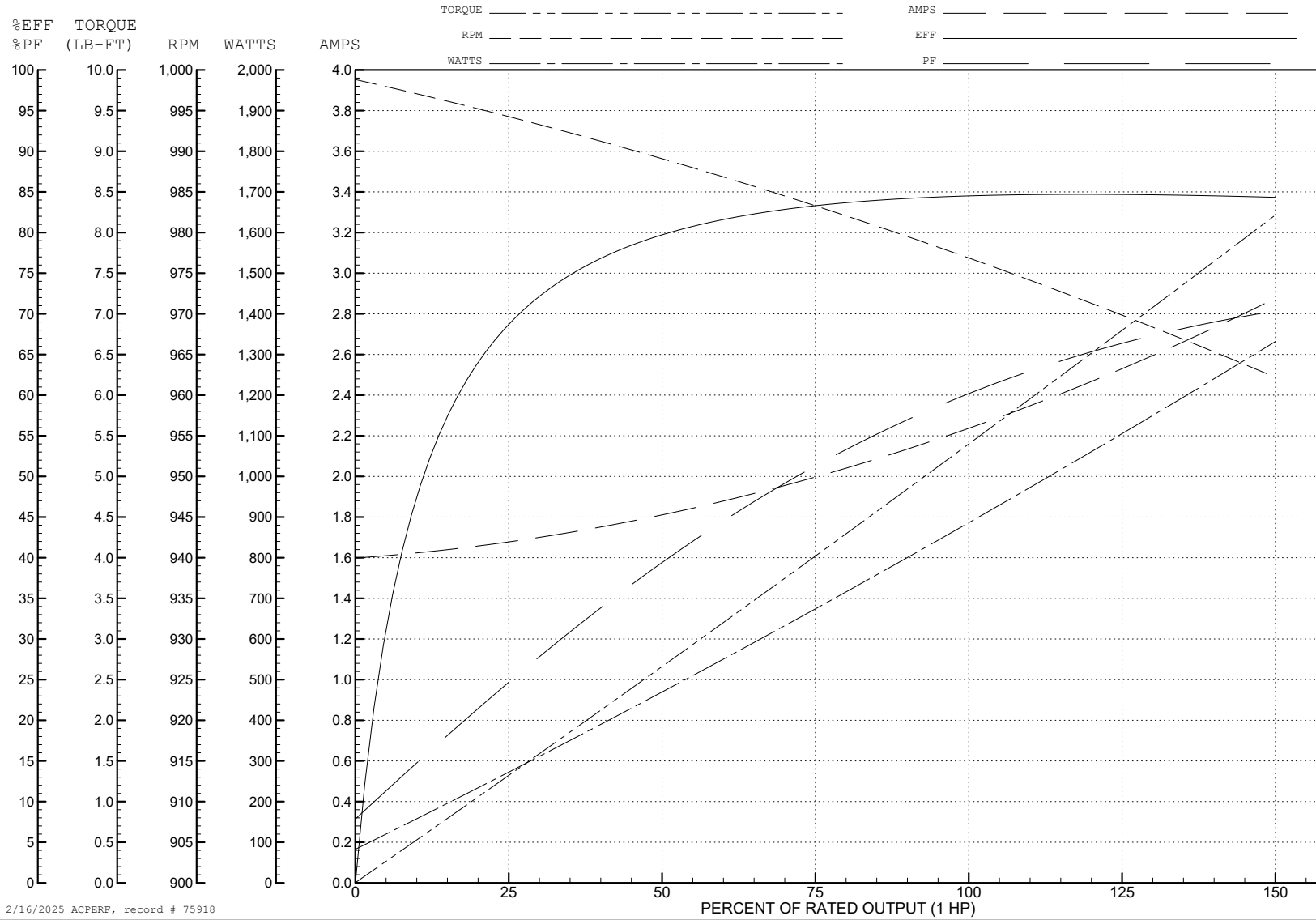
ABB Motors and Mechanical Inc.

WINDING # 06WGW969

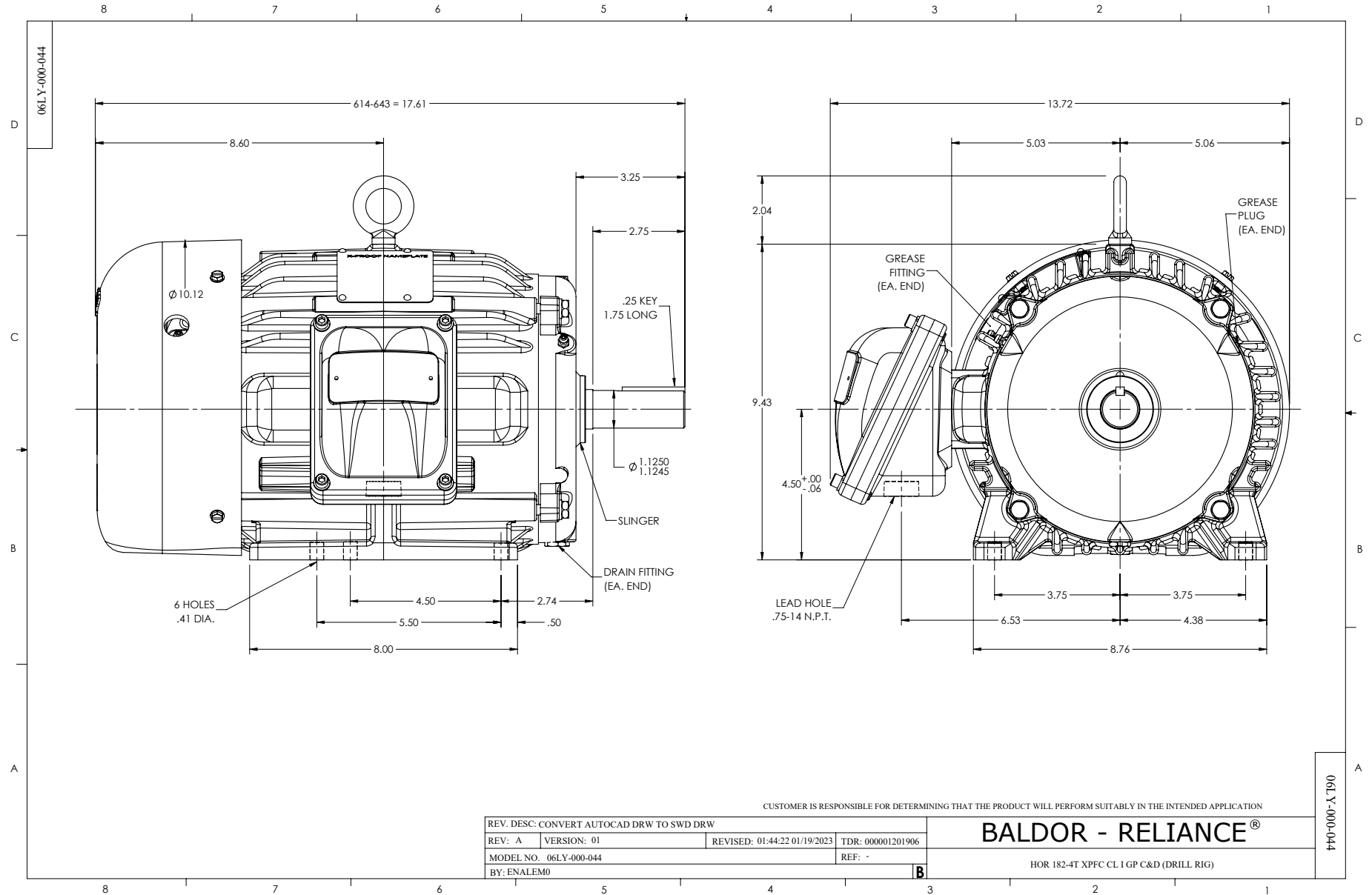
Typical performance - not guaranteed values.

1 HP 3 PH 50 HZ 1170 RPM 380 V 0630M

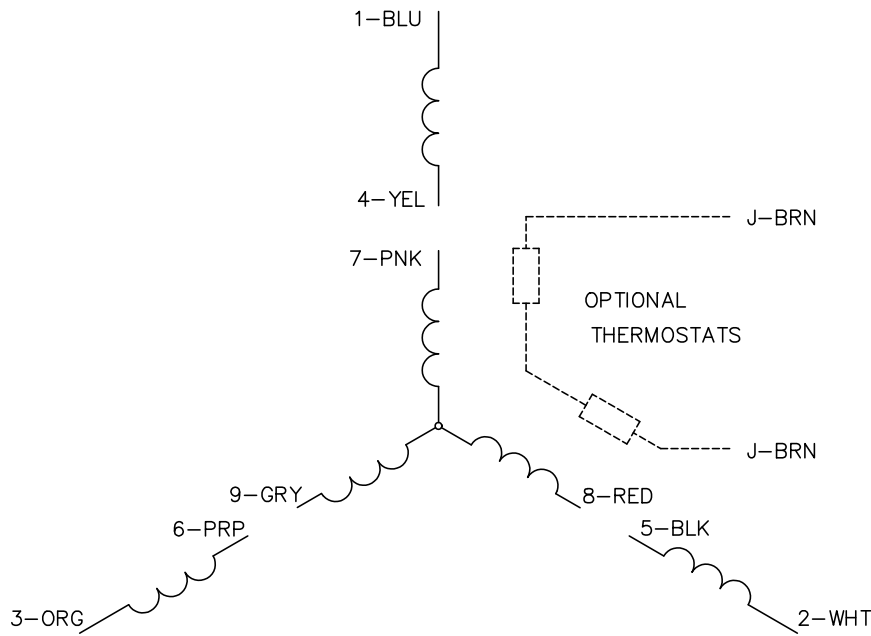
TORQUES (LB-FT): PO=22.86 PU=13.14 LR=16.61 LRA=15.76



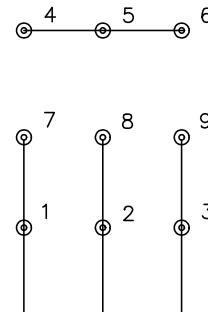
2/16/2025 ACPERF, record # 75918



CD0005

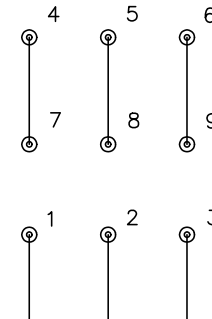


LOW VOLTAGE
(2Y)



LINE

HIGH VOLTAGE
(1Y)



LINE

NOTES:

1. INTERCHANGE ANY TWO LINE LEADS TO REVERSE ROTATION.
2. OPTIONAL THERMOSTATS ARE PROVIDED WHEN SPECIFIED.
3. ACTUAL NUMBER OF INTERNAL PARALLEL CIRCUITS MAY BE A MULTIPLE OF THOSE SHOWN ABOVE.
4. LEAD COLORS ARE OPTIONAL. LEADS MUST ALWAYS BE NUMBERED AS SHOWN.

CD0005

REV. DESC: REVISE TO SHOW OPTIONAL COLORS			
REV. LTR: E	BY: JLP	REVISED: 01/19/99 10:15	TDR: 0171435
S00000		FILE: AAA00005140	MDL: -
		MTL: -	

BALDOR ELECTRIC Co.

3PH, DV, 9 LEADS