

**BALDOR • RELIANCE**

---

# Customer information packet

## DRX21744T-5

7.5HP, 1770RPM, 3PH, 60HZ, 213T, XPFC, F1

Class - CLI GP C,D

Division - Division I

## Specifications

Enclosure	XPFC
Frame	213T
Frame Material	Iron
Frequency	60.00 Hz
Haz Area Class and Group	CLI GP C,D
Haz Area Division	Division I
Motor Letter Type	Three Phase
Output @ Frequency	7.500 HP @ 60 HZ
Phase	3
Synchronous Speed @ Frequency	1800 RPM @ 60 HZ
Voltage @ Frequency	575.0 V @ 60 HZ
Agency Approvals	CSA EEV UL
Ambient Temperature	40 °C
Auxillary Box	No Auxillary Box
Auxillary Box Lead Termination	None
Base Indicator	Rigid
Bearing Grease Type	Polyrex EM (-20F +300F)
Blower	None
Constant Torque Speed Range	6
Current @ Voltage	7.500 A @ 575.0 V
Design Code	A
Drip Cover	No Drip Cover
Duty Rating	CONT
Efficiency @ 100% Load	91.7 %
Electrically Isolated Bearing	Not Electrically Isolated
Feedback Device	NO FEEDBACK
Haz Area Temp Code	T3C
Heater Indicator	No Heater
High Voltage Full Load Amps	7.5 a
Insulation Class	F
Inverter Code	Inverter Duty

## Part detail

Revision	C
Type	AC
Mech. spec.	
Base	
Status	PRD/A
Elec. spec.	07WGX817
Layout	07LYJ231
Eff. date	02-14-2024
CD Diagram	CD0006
Poles	04
Leads	3#14
Proprietary	False
Created date	07-18-2019

IP Rating	NONE
KVA Code	J
Lifting Lugs	Standard Lifting Lugs
Locked Bearing Indicator	Locked Bearing
Max Speed	2700 rpm
Motor Lead Termination	Flying Leads
Motor Standards	NEMA
Motor Type	0738M
Mounting Arrangement	F1
Number of Poles	4
Overall Length	20.03 IN
Power Factor	81
Product Family	General Purpose
Pulley Face Code	Standard
Rodent Screen	None
RoHS Status	ROHS NON-COMPLIANT
Service Factor	1.00
Shaft Diameter	1.375 IN
Shaft Ground Indicator	No Shaft Grounding
Shaft Rotation	Reversible
Speed	1770 rpm
Speed Code	Single Speed
Starting Method	Direct on line
Thermal Device - Bearing	None
Thermal Device - Winding	Normally Closed Thermostat
Vibration Sensor Indicator	No Vibration Sensor
Winding Thermal 1	None
Winding Thermal 2	None

**Nameplate**

NP1401XPSLEV										
<b>NO.</b>		<b>CC</b>	010A							
<b>S/N</b>		<b>TEMP CODE</b>	T3C							
<b>SPEC.</b>	07-0000-0198		<b>INV.TYPE</b>	PWM						
<b>CAT.NO.</b>	DRX21744T-5		<b>C HP FR</b>	60	<b>C HP TO</b>	90				
<b>HP</b>	7.5		<b>CT HZ FROM</b>	6	<b>CT HZ TO</b>	60				
<b>VOLTS</b>	575		<b>VT HZ FROM</b>	6	<b>VT HZ TO</b>	60				
<b>AMPS</b>	7.5		<b>MAG CUR</b>	3.7						
<b>RPM</b>	1770		<b>MX RPM</b>	2700						
<b>HZ</b>	60	<b>PH</b>	3	<b>CL</b>	F	<b>NOM.EFF.</b>	91.7			
<b>SER.F.</b>	1.00	<b>DES</b>	A	<b>SL HZ</b>	1	<b>WK2</b>	0.934			
<b>FRAME</b>	213T	<b>RATING</b>	40C AMB-CONT							
	55C AMB @ 1.0 SF									
	1.15 SF SINEWAVE				<b>NEMA MG-1 PT 5,IP55</b>					

**AC Induction Motor Performance Data**

Record # 77546

Typical performance - not guaranteed values

Winding: 07WGX817-R033		Type: 0738M		Enclosure: XPFC	
<b>Nameplate Data</b>			<b>575 V, 60 Hz: Single Voltage Motor</b>		
Rated Output (HP)	7.5	Full Load Torque	22.1 LB-FT		
Volts	575	Start Configuration	direct on line		
Full Load Amps	7.5	Breakdown Torque	73 LB-FT		
R.P.M.	1770	Pull-up Torque	33.7 LB-FT		
Hz	60 Phase	3	Locked-rotor Torque	44.4 LB-FT	
NEMA Design Code	A	KVA Code	J	Starting Current	58.7 A
Service Factor (S.F.)	1	No-load Current	3.66 A		
NEMA Nom. Eff.	91.7	Power Factor	81	Line-line Res. @ 25°C	2.23 Ω
Rating - Duty	40C AMB-CONT		Temp. Rise @ Rated Load	42°C	
			Locked-rotor Power Factor	37.9	
			Rotor inertia	0.934 LB-FT <sup>2</sup>	

**Load Characteristics 575 V, 60 Hz, 7.5 HP**

% of Rated Load	25	50	75	100	125	150
Power Factor	40	62	73	79	82	84
Efficiency	86.8	91.4	92.1	91.7	90.8	89.7
Speed	1793	1786	1779	1771	1761	1751
Line amperes	4.07	4.98	6.23	7.7	9.4	11.2

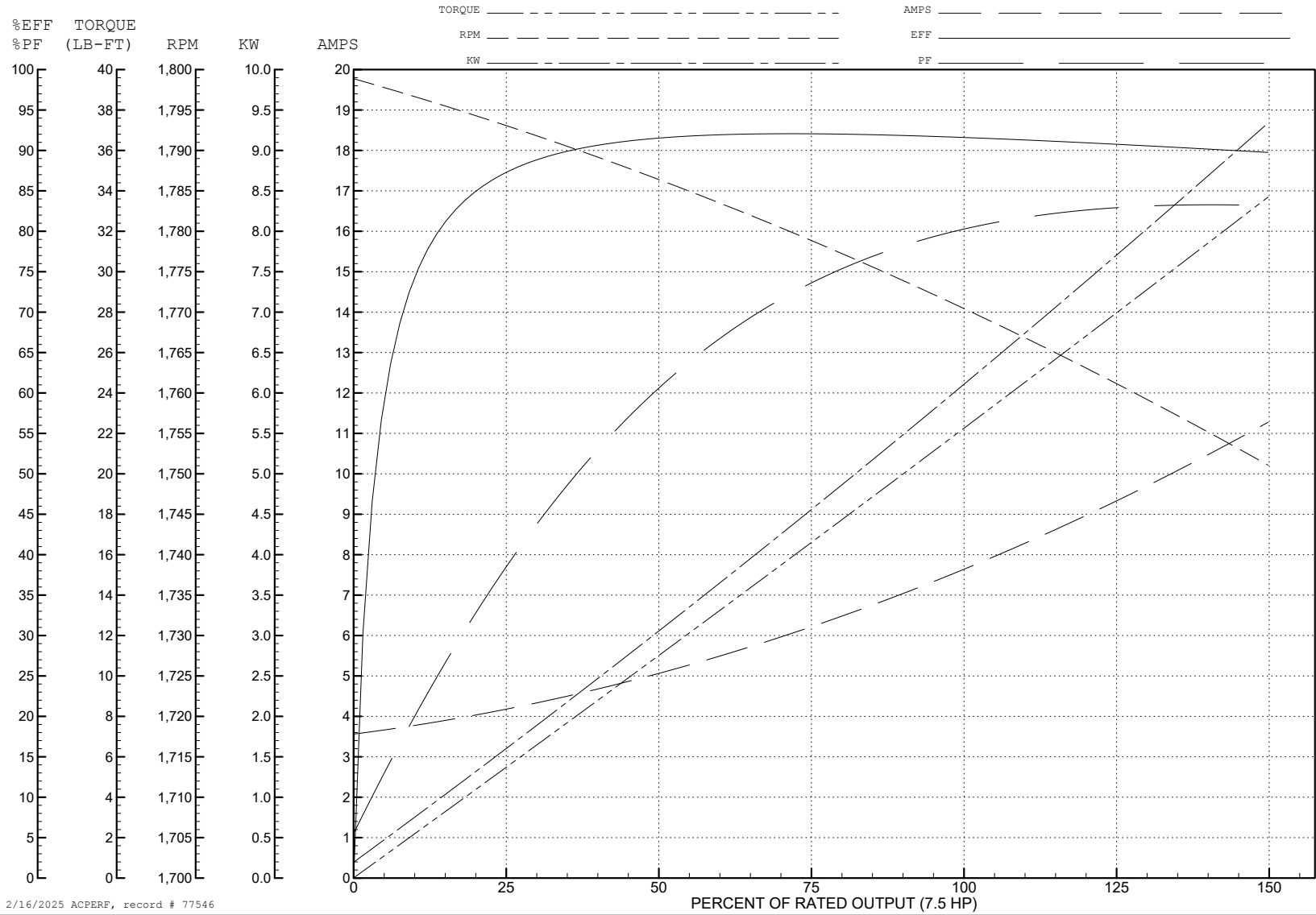
ABB Motors and Mechanical Inc.

WINDING # 07WGX817

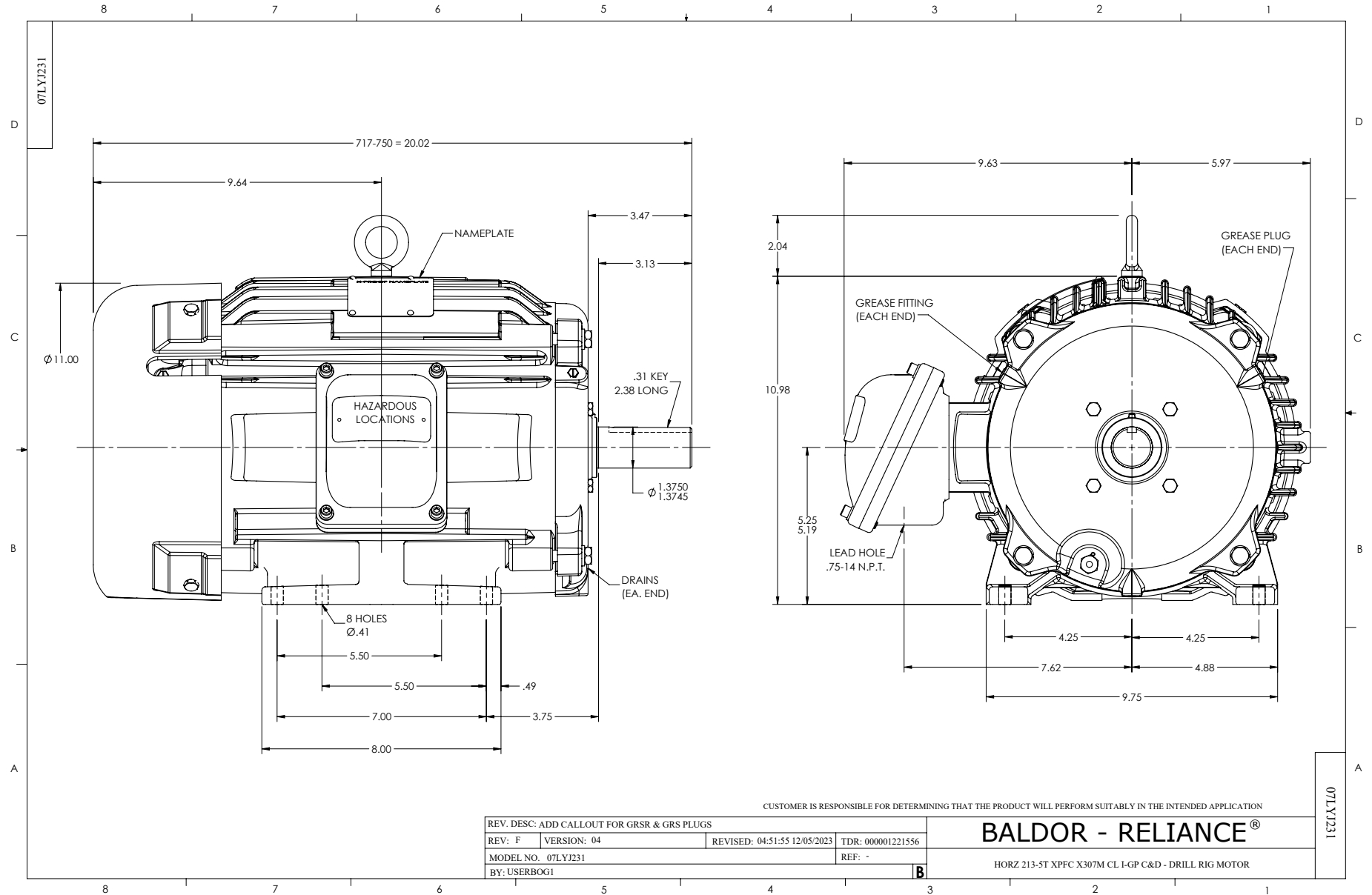
Typical performance - not guaranteed values.

7.5 HP 3 PH 60 HZ 1770 RPM 575 V 0738M

TORQUES (LB-FT): PO=73 PU=33.7 LR=44.4 LRA=58.7



2/16/2025 ACPERF, record # 77546



CD0006



NOTES:

1. THREE LEAD MOTOR MAY BE EITHER WYE CONNECTED OR DELTA CONNECTED.
2. INTERCHANGE ANY TWO LINE LEADS TO REVERSE ROTATION.
3. OPTIONAL THERMOSTATS ARE PROVIDED WHEN SPECIFIED.
4. ACTUAL NUMBER OF INTERNAL PARALLEL CIRCUITS MAY VARY.
5. LEAD COLORS ARE OPTIONAL. LEADS MUST BE NUMBERED AS SHOWN.

CD0006

REV. DESC: ADD CLASS CONN00000007		
REV. LTR: E	VERSION: 01	TDR: 000001099922
FILE: \AAA\00005\141	REVISED: 10: 24: 49 02/19/2019	BY: ENBRIRO
MTL: -	© □	

**BALDOR - RELIANCE®**

3PH, SV, 3 LEADS, WYE OR DELTA CONNECTED

SH 1 of 1