

BALDOR • RELIANCE

Customer information packet

DRX40764T

75HP, 1185RPM, 3PH, 60HZ, 405T, TEFC, F1

Class - CLI GP C,D

Division - Division I

Specifications

Enclosure	TEFC
Frame	405T
Frame Material	Iron
Frequency	60.00 Hz
Haz Area Class and Group	CLI GP C,D
Haz Area Division	Division I
Motor Letter Type	Three Phase
Output @ Frequency	75.000 HP @ 60 HZ
Phase	3
Synchronous Speed @ Frequency	1200 RPM @ 60 HZ
Voltage @ Frequency	230.0 V @ 60 HZ 460.0 V @ 60 HZ
Agency Approvals	UL CSA CCSAUSEEV
Ambient Temperature	40 °C
Auxillary Box	No Auxillary Box
Base Indicator	Rigid
Bearing Grease Type	Polyrex EM (-20F +300F)
Constant Torque Speed Range	6-60
Current @ Voltage	174.000 A @ 230.0 V 87.000 A @ 460.0 V
Design Code	B
Drip Cover	No Drip Cover
Duty Rating	CONT
Efficiency @ 100% Load	94.5 %
Feedback Device	NO FEEDBACK
Haz Area Temp Code	T3C
Heater Indicator	No Heater
High Voltage Full Load Amps	87.0 a
Insulation Class	F
Inverter Code	Inverter Ready

Part detail

Revision	B
Type	AC
Mech. spec.	
Base	
Status	PRD/A
Elec. spec.	A40WG0770
Layout	617433-608
Eff. date	10-22-2021
CD Diagram	416820-002
Poles	06
Leads	3#2,6#4
Proprietary	False
Created date	04-30-2019

IP Rating	NONE
KVA Code	G
Max Speed	2700 rpm
Motor Lead Quantity/Wire Size	3 @ 2 AWG
Motor Standards	NEMA
Motor Type	A40064M
Mounting Arrangement	F1
Number of Poles	6
Overall Length	38.22 IN
Power Factor	85
Product Family	General Industrial
Pulley End Bearing Type	Ball
Pulley Face Code	Standard
Service Factor	1.00
Shaft Diameter	2.875 IN
Shaft Ground Indicator	No Shaft Grounding
Shaft Rotation	Reversible
Shaft Slinger Indicator	Shaft Slinger
Speed	1185 rpm
Speed Code	Single Speed
Starting Method	Direct on line
Thermal Device - Bearing	None
Thermal Device - Winding	Normally Closed Thermostat

Nameplate

NP2496L	
MOBIL POLYREX EM	

000613006PC

CLASS I GROUP C D X **NO.****CLASS II GROUP** X X X**OPERATING TEMP CODE** T3C

NP3140L

SPEC NO.	A40-7201-0770	CAT.NO.	DRX40764T		FRAME	405T	
HP	75	VOLTS	230/460		PHASE	3	
				DESIGN	B	TYPE	P
RPM	1185	AMPS	174/87		HZ	60	
				AMB	40	SF	1.00
DRIVE END BEARING	80BC03J30X		DUTY	CONT	INSUL.CLASS	F	
OPP D.E. BEARING	80BC03J30X		ENCL	TEFC	CODE	G	
SF	1.15	WK2	37.1071	MAG CUR	62/31	RPM MAX	2700
CT HZ	6-60	VT HZ	0-60	CHP HZ	60-90	NEMA-NOM-EFF	94.5
	SUIT FOR 55C AMB AT 1.00 SF				IP55		
SER.NO.			MOTOR WEIGHT	1405			

617433-608

DUTY MASTER ALTERNATING CURRENT MOTORS
SQUIRREL-CAGE INDUCTION

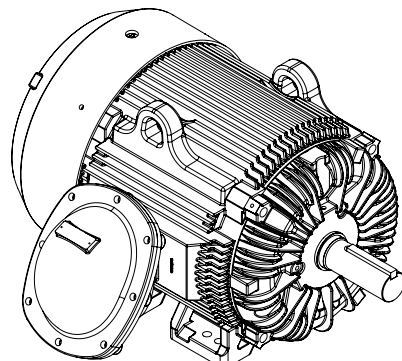
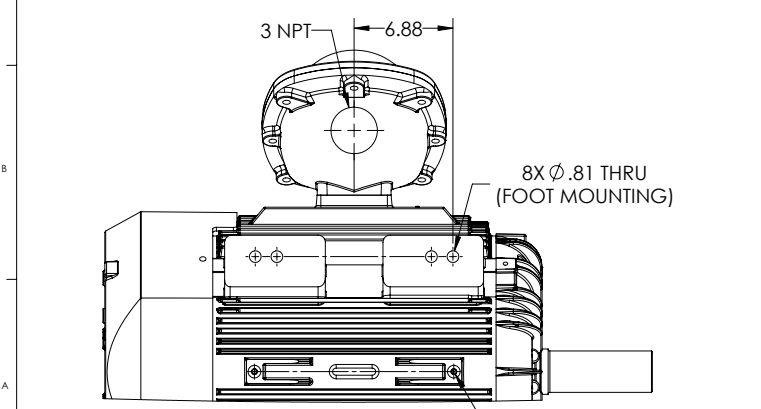
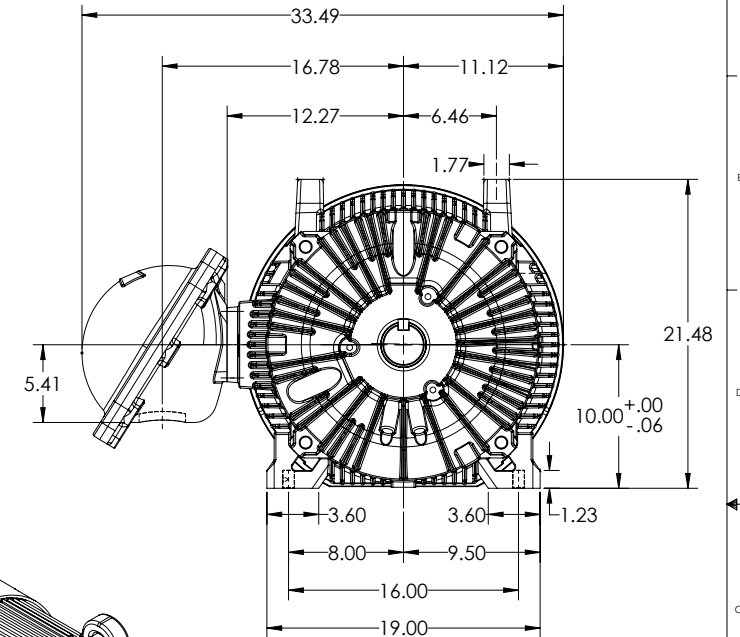
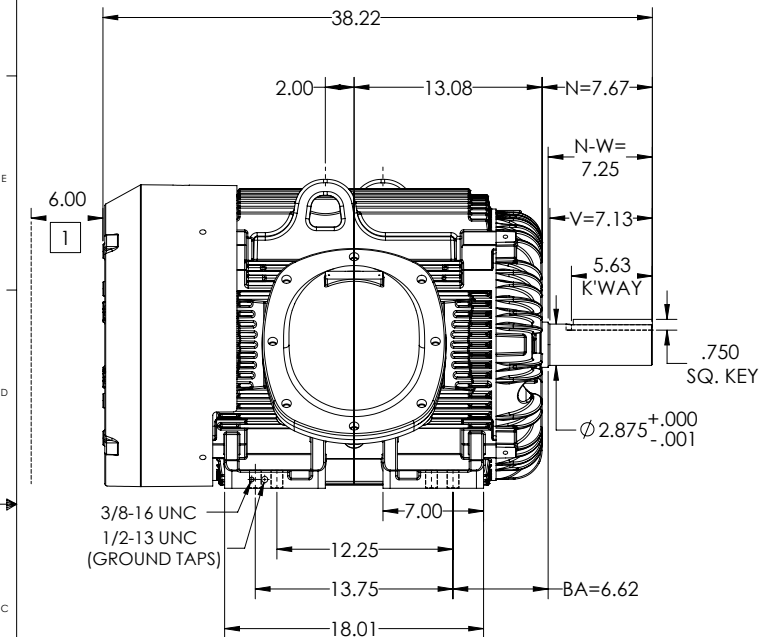
ENCLOSURE: X/P, UNDERWRITERS LISTED

MOUNTING: FOOT, F-1 MOUNT

G405T/G404T FRAME MOUNTING HOLES

COOLING: FAN COOLED

CL. 1, GRP. C & D



DIMENSIONS ARE IN INCHES.
WEIGHT: 1400 LBS ± 15% DEPENDING ON RATING.
IF MOUNTING CLEARANCE DETAILS ARE REQUIRED, CONSULT FACTORY.
MAX PERMISSIBLE SHAFT RUNOUT WHEN MEASURED AT END OF STANDARD SHAFT EXTENSION IS .003" T.I.R.
CUSTOMER IS RESPONSIBLE FOR DETERMINING THAT MOTOR PERFORMANCE IS SUITABLE IN THE APPLICATION.

SHEET NUMBER	1 OF 1
OBSTRUCTION MUST NOT ENCR OACH ON AIR INLET.	

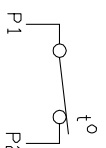
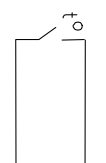
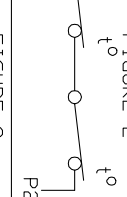
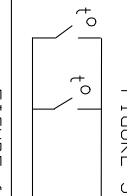
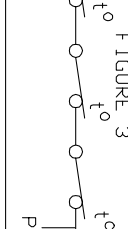
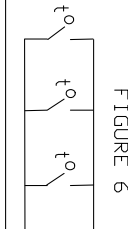
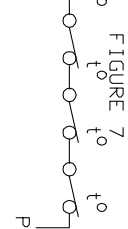
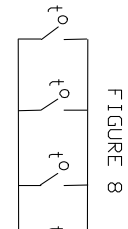
REV. DESC: NEW DRAWING	VERSION: 00	REVISED: 02-53-03 03-08-2019	TDR: 000001101608
MODEL NO. 617433-608			REF:
BY: USJEDIL	Material:		

BALDOR
G405-404T TEFC XP F1 FOOT-CAST IRON BOX-CL.1 GRP C & D

617433-608

CONNECTION DIAGRAM ACCESSORIES

MOTOR WINDING THERMOSTATS	
CONTACTS _____ @ _____ °C	
FIGURE NUMBER _____	
CONTACT RATING	
VOLTS	CONTINUOUS AMPERES
110-120	3.0
220-240	1.5
440-480	0.75
550-600	0.60
	INRUSH AMPERES
	30
	15
	7.5
	6.0

NORMALLY CLOSED	THERMOSTATS	NORMALLY OPEN
 <p>FIGURE 1</p>		 <p>FIGURE 4</p>
 <p>FIGURE 2</p>		 <p>FIGURE 5</p>
 <p>FIGURE 3</p>		 <p>FIGURE 6</p>
 <p>FIGURE 7</p>		 <p>FIGURE 8</p>

CUSTOMER _____ CUSTOMER ORDER NO. _____ S.O. NO. _____

418174-006

418174-006

REV. DESC: LOADED TO BUS		
REV. LTR: A	VERSION: 01	TDR: 000000570390
FILE: \RAG\00013\849	REVISED: 10:16:21 12/07/2010	BY: RAGDRF
MTL: -		

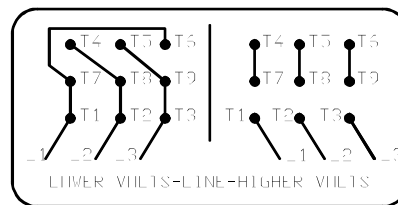
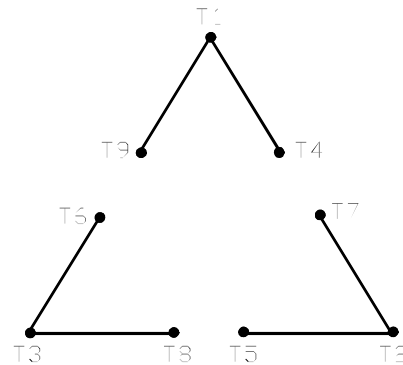
BALDOR

A-C MOTOR CONNECTION ACCESSORIES

SH 1 of 1

416820-002

A-C MOTOR
 CONNECTION DIAGRAM
 STANDARD 9 LEAD DELTA-CONNECTED



(N.P. 1575-B)

416820-002

REV. DESC: FONT CHANGE FOR PDF SEARCHABLE		
REV. LTR: A	VERSION: 01	TDR: 000001009382
FILE: \MGA\00000\661	REVISED: 02:46:19 02/13/2020	BY: MGHMTT
MTL: -	© □	

BALDOR - RELIANCE®

CONN DIAG - STANDARD 9 LEAD, DELTA-CONNECTED

SH 1 of 1