

**BALDOR® • RELIANCE™**

---

# Customer information packet

## ECR582506-PPN

M3BN 587MLB 6P B3 250HP

**ABB Oy****PERFORMANCE DATA OF MOTOR**

Department/Author	Date of Issue	Lang.	Rev. date	Our ref.	Pages
M/LA000/TISA	11.10.2018	En		3GZFE021035-1240	1/3
Customer ref.			Saving Ident	Rev./Changed by	
			TMAA-ASUG9J-TISA33	A	

## Driven Motor:

Catalog Number	<b>ECR582506-PPN</b>			
Motor type code	M3BN 587 MLB 6K			
Motor product code	3GBN983420-ADKBA01			
Motor type	Squirrel cage Motor			
Mounting designation	IM 1001			
Protected by enclosure	IP66			
Method of cooling	TEFC			
Insulation	Class F (Shock Resistant)			
Service factor	SF1.15 TEMP RISE CLASS F			
Standards	NEMA			
International efficiency classification (IEC 60034-30)	IE3			
Ambient temperature, max.	40 °C			
Altitude, max.	3280 ft.a.s.l.			
Duty type	Continuous			
Temp. rise	Class B			
Connection of stator winding	Delta			
Rated output	250 HP			
Voltage	460 V			
Frequency	60 Hz			
Speed	1195 r/min			
Current	295 Amps			
Locked rotor Amps	690 %			
Locked rotor torque	200 %			
Breakdown torque	250 %			
No load current	104 Amps			
Rated torque	1102 lb-ft			
Load characteristics				
	Load %	Current Amps	Efficiency %	Power Factor
	100	295	95,8	0,83
	75	229	96,1	0,80
	50	171	95,5	0,72

Typical calculated values to NEMA. –  
 -Nema Nominal Eff. 95.8%

Motors & Generators Visiting Address  
 Strömbergin puistitie 5 A  
 VAASA  
 FINLAND

Postal Address  
 P.O.Box 633  
 FI-65101 VAASA  
 FINLAND

**ABB Oy**

Telephone  
 +358 10 222 000

Telefax  
 +358 10 224 7372

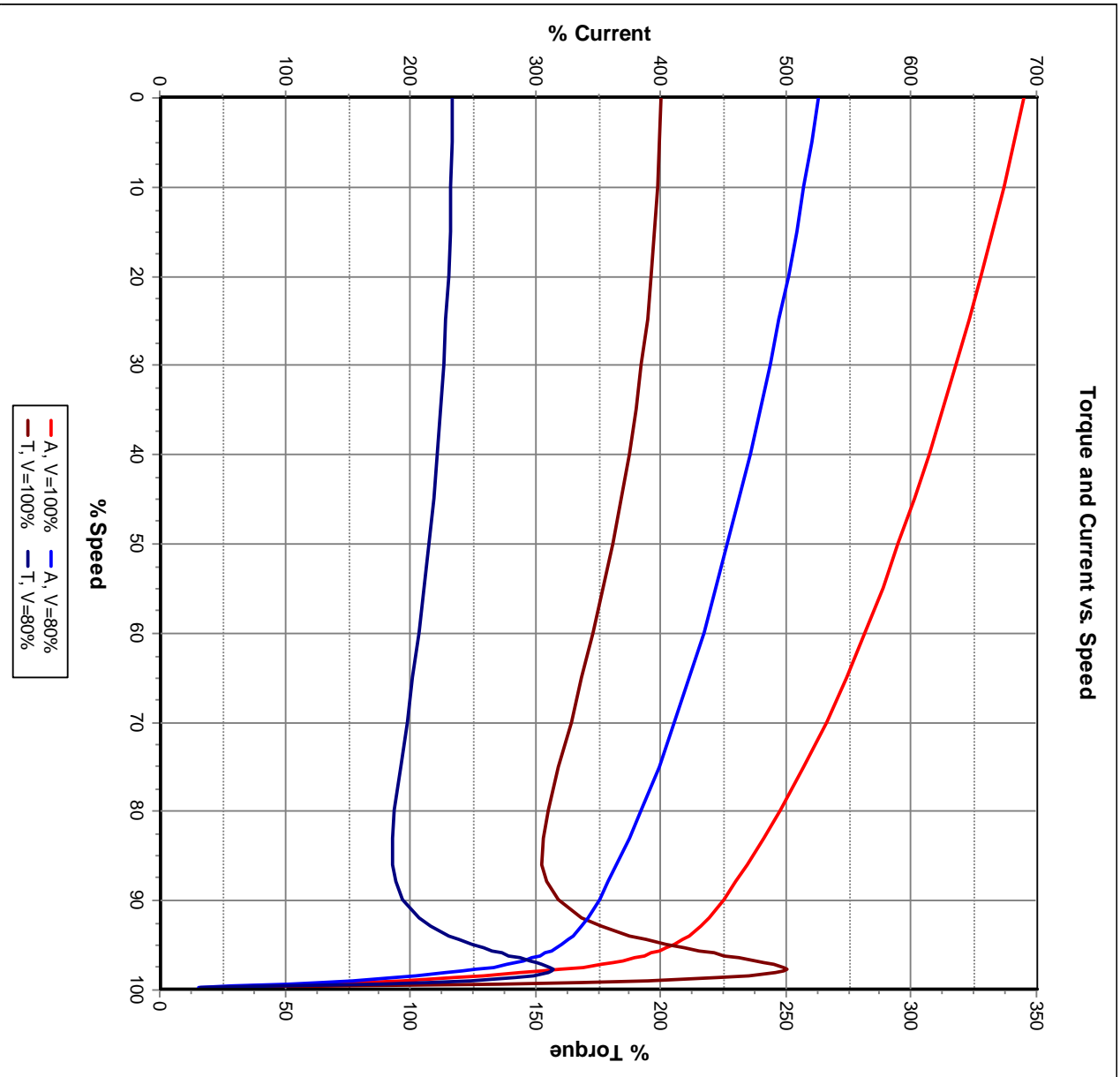
**PERFORMANCE DATA OF MOTOR**



<b>ABB Oy</b> <b>Motors &amp; Generators</b>		Date of Issue		Lang.	Rev. date	Our ref.	Rev./Changed by	Pages
Department/Author MLA000/TISA		11.10.2018		En		3GZF021035-1240		2/3
Customer ref.		Saving Ident		TMAA-ASUG9J-TISA33		A		

Motor type code: M3BN 587 MLB 6K

Rated output	251 HP	Power Factor	0,83
Voltage	460 V	Rated torque	1 102 lb-ft
Frequency	60 Hz	Locked rotor Amps	690 %
Speed	1 195 r/min	Locked rotor torque	200 %
Current	295 Amps	Breakdown torque	250 %




Motors & Generators  
 Visiting Address  
 Stroinbergin puistotie 5 A  
 VAASA  
 FINLAND

**ABB Oy**  
 Postal Address  
 P.O.Box 633  
 FI-65101 VAASA  
 FINLAND

Telephone  
 +358 10 222 000

Telefax  
 +358 10 224 7372

<b>ABB Oy</b> <b>Motors &amp; Generators</b>		Classifying code or document type		<b>PERFORMANCE DATA OF MOTOR</b>			
Department/Author	MLA000/TISA	Date of Issue	11.10.2018	Lang.	En	Rev. date	
Customer ref.		Saving Ident	TMAA-ASUG9J-TISA33	Rev./Changed by	A	Our ref.	3GZF021035-1240
						Pages	3/3

PWM  
 Switch . freq. 3KHz  
 FWP 460V/D 60Hz  
 VSD-duty: Temp. rise class F

<b>Drive1</b>	
Rated power	62 HP
Rated voltage	117 V
Nominal frequency	15,3 Hz
Type of connection	Delta
Rated torque	1092 lb-ft
Speed	300 rpm
Current	296 Amps

<b>Drive2</b>	
Rated power	250 HP
Rated voltage	460 V
Nominal frequency	60,4 Hz
Type of connection	Delta
Rated torque	1092 lb-ft
Speed	1200 rpm
Current	317 Amps

Constant torque 300 – 1200rpm

Motors & Generators Visiting Address  
 Stroinbergin puistotie 5 A  
 VAASA  
 FINLAND

Postal Address  
 P.O.Box 633  
 FI-65101 VAASA  
 FINLAND

**ABB Oy**

Telephone  
 +358 10 222 000

Telefax  
 +358 10 224 7372

<h2 style="margin: 0;">Connection Diagram</h2>		Document No: <b>3GZF321100-1 E</b>
Description: <b>3-PHASE SQUIRREL-CAGE MOTOR</b>		
Unit: <b>Motors</b> Date: <b>21.09.2005</b>	Issued by: <b>M Prusi</b> Approved by: <b>Jari Raitila</b>	Replaces: Replaced by:
Customer Reference: <b>ABB Oy</b>		

**Diagram of connection**  
 Anschluss-Schema  
 Schema de branchement

**Connection of terminals**  
 Anschluss des Motors  
 Branchement des bornes

**Y-connection**  
 Y-Schaltung  
 Connection étoile

**D-connection**  
 D-Schaltung  
 Connection triangle

**Direction of rotation with phase sequence shown in picture**  
 Drehrichtung nach Schaltbild  
 Direction de rotation avec branchement ci-dessus

**Direction of rotation with reversed phase sequence**  
 Drehrichtung im umgekehrten Phasenfolge  
 Direction de rotation avec séquence de phase renversé

Motor No Maschine Nr No du moteur <b>ABB Oy, Motors</b>	Document No: <b>3GZF321100-1 E</b>
--	---------------------------------------

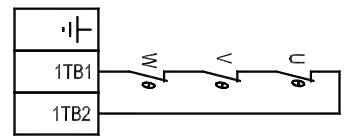
<h2 style="margin: 0;">Accessory Connection Diagram</h2>				Document No: <b>3GZF321200-35 B</b>
Description: <b>BIMETAL DETECTORS</b>				
Unit: <b>Electrical Machines, LV Motors</b>	Issued by: <b>K. Höglkvist</b>	Replaces:		
Date: <b>16.01.2002</b>	Approved by: <b>M. Prusi</b>	Replaced by:		
<b>ABB Oy</b>		Customer Reference:		

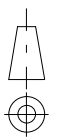
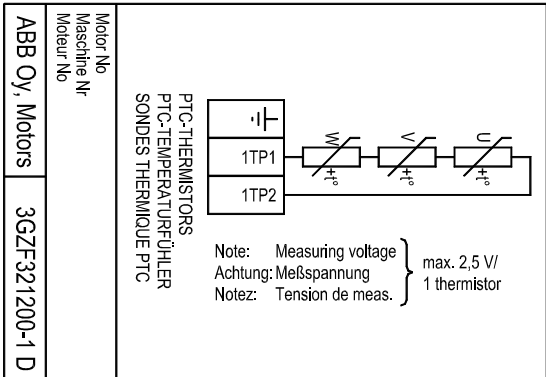
<p style="margin: 0;">                     Motor No                      Maschine Nr                      Moteur No  <b>ABB Oy, Electrical Machines</b>  <b>LV Motors</b> </p>	<p style="margin: 0;"> <b>3GZF321200-35 B</b> </p>
--	--

**BIMETAL DETECTORS, TYPE NCC**  
**1TB1...1TB2 BIMETALL-THERMOSCHALTER, TYP NCC**  
**SONDES BIMETALLIQUES, TYPE NCC**



<p><b>Accessory Connection Diagram</b></p>		<p>Document No: 3GZF321200-1 D</p>	
		<p>Description: PTC-THERMISTORS</p>	
<p>Unit: Motors</p>	<p>Issued by: K. Höglkvist</p>	<p>Replaces:</p>	
<p>Date: 30.11.2005</p>	<p>Approved by: M. Prusi</p>	<p>Replaced by:</p>	
<p>Customer Reference:</p>		<p>ABB OY</p>	



<p><b>Dimension Print</b></p>		<p>Motor Type: M3BN 587ML_4.. B3, B6, B7, B8, V5, V6</p>	<p>Document No: 3GZF500098-174 A 14 BN 587 A</p>
<p>Description: SQUIRREL CAGE MOTOR, CABLE ENTRY LHS, SPECIAL SHAFT, SLOTTED FEET HOLES. DIMENSIONS IN INCHES, MOTOR SIZES 586/587.</p>			
<p>Unit: ABB Oy, Motors and Generators</p>	<p>Date: 21.11.2019</p>	<p>Issued by: N.Palokangas</p>	<p>Approved by: S.Tikkanen</p>
<p>Customer Reference: ABB Oy</p>		<p>Replaces: ABB Oy</p>	<p>Replaced by: ABB Oy</p>
<p>Additional Information:</p>			