

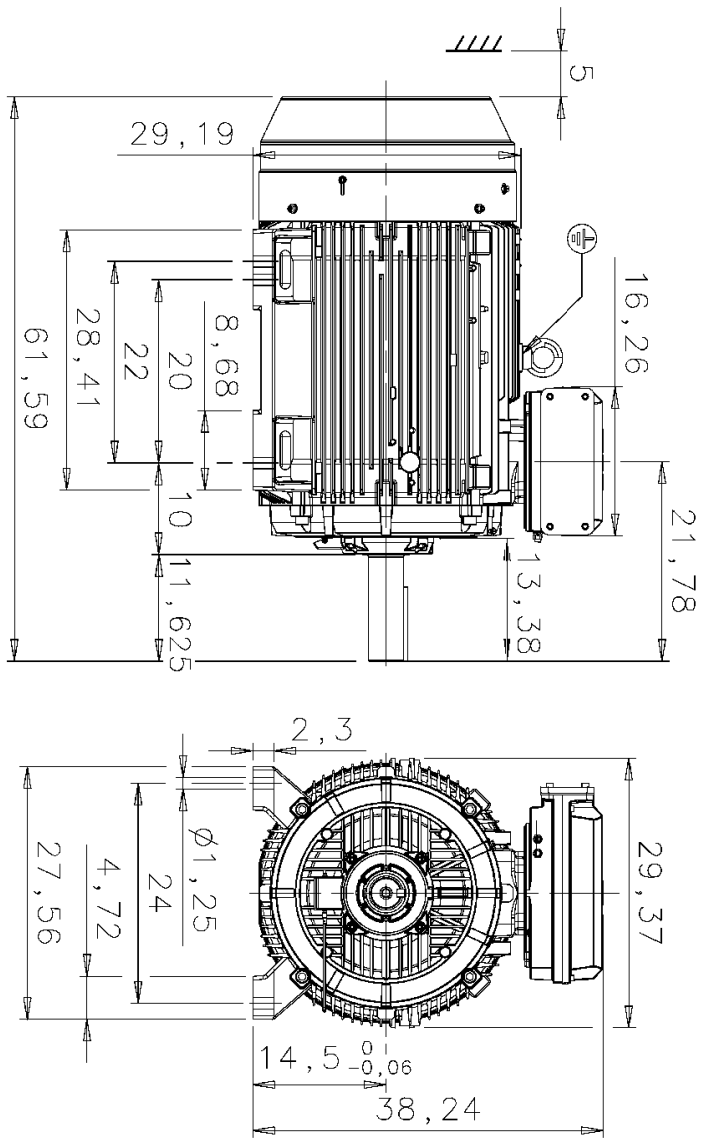
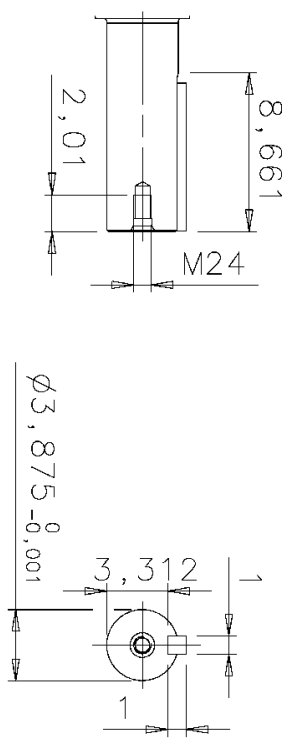
**BALDOR® • RELIANCE™**

---

# Customer information packet

## ECR583008-PP

M3BN 587MLB 8P B3 300HP



Additional information:

<b>Dimension Print</b>		Motor Type: M3BN 586SM 4., B3, B6, B7, B8, V5, V6	Document No: 3GZF500098-163 A 14 BN 586 A
Description: SQUIRREL CAGE MOTOR, CABLE ENTRY FROM LHS, SPECIAL SHAFT. DIMENSIONS IN INCHES, MOTOR SIZES 585 AND 586			
Unit: ABB Oy, Motors and Generators	Issued by: S. Tikkanen	Replaces:	
Date: 07.05.2018	Approved by: C. Väger	Replaced by:	
Customer Reference: ABB Oy		ABB	