

BALDOR • RELIANCE

Customer information packet

EJMM2515T-G

48M 4P OPSB HOR 256JM SE

Class - None

Division - Not Applicable

Specifications

Enclosure	OPSB
Frame	256JM
Frame Material	Steel
Frequency	60.00 Hz
Haz Area Class and Group	None
Haz Area Division	Not Applicable
Motor Letter Type	Three Phase
Output @ Frequency	20.000 HP @ 60 HZ
Phase	3
Synchronous Speed @ Frequency	1800 RPM @ 60 HZ
Voltage @ Frequency	230.0 V @ 60 HZ 460.0 V @ 60 HZ
Agency Approvals	CSA CSA EEV NEMA PREMIUM UR
Ambient Temperature	40 °C
Auxillary Box	No Auxillary Box
Auxillary Box Lead Termination	None
Base Indicator	Rigid
Bearing Grease Type	Polyrex EM (-20F +300F)
Blower	None
Current @ Voltage	52.000 A @ 208.0 V 48.000 A @ 230.0 V 24.000 A @ 460.0 V
Design Code	A
Drip Cover	No Drip Cover
Duty Rating	CONT
Efficiency @ 100% Load	93.0 %
Electrically Isolated Bearing	Not Electrically Isolated
Feedback Device	NO FEEDBACK
Front Shaft Indicator	None

Part detail

Revision	K
Type	AC
Mech. spec.	39E447
Base	
Status	PRD/A
Elec. spec.	39WGX952
Layout	39LYE447
Eff. date	06-27-2024
CD Diagram	CD0180
Poles	04
Leads	9#10
Proprietary	False
Created date	04-03-2019

Heater Indicator	No Heater
High Voltage Full Load Amps	24.0 a
Insulation Class	F
Inverter Code	Inverter Ready
IP Rating	IP23
KVA Code	G
Lifting Lugs	Standard Lifting Lugs
Locked Bearing Indicator	Locked Bearing
Motor Lead Quantity/Wire Size	9 @ 10 AWG
Motor Lead Termination	Flying Leads
Motor Standards	NEMA
Motor Type	3948M
Mounting Arrangement	F1
Number of Poles	4
Overall Length	24.69 IN
Power Factor	85
Product Family	General Purpose
Pulley End Bearing Type	Ball
Pulley Face Code	C-Face
Pulley Shaft Indicator	Tapped & Key
Rodent Screen	Included
Service Factor	1.15
Shaft Diameter	1.250 IN
Shaft Ground Indicator	Shaft Grounding
Shaft Rotation	Reversible
Shaft Slinger Indicator	Shaft Slinger
Speed	1765 rpm
Speed Code	Single Speed
Starting Method	Direct on line
Thermal Device - Winding	None
Vibration Sensor Indicator	No Vibration Sensor
Winding Thermal 1	None
Winding Thermal 2	None

Nameplate

NP3554LUA										
CAT.NO.	EJMM2515T-G			P/N				ENCL		OPSB
SPEC.	39E447X952G1	CC	010A	FRAME		256JM	SER.NO.			
HP	20	CLASS		F	HZ	60				
RPM	1765	PH	3	DES		A				
VOLTS	230/460			CODE		G	ODE BRG	6208	DE BRG	6309
AMPS	48/24									
RATING	40C AMB-CONT			NEMA-NOM-EFF			93	GREASE	POLYREX EM	
PF	85	SER.F.	1.15	CT30-60(2:1) VT3-60(20:1)						
USABLE AT	50HZ 20HP 190/380V 58/29A			SF1.0						
HTR-VOLTS	HTR-AMPS	MAX. SPACE HEATER TEMP.								

AC Induction Motor Performance Data

Record # 56778

Typical performance - not guaranteed values

Winding: 39WGX952-R001		Type: 3948M		Enclosure: OPSB	
Nameplate Data			460 V, 60 Hz: High Voltage Connection		
Rated Output (HP)	20	Full Load Torque	59.7 LB-FT		
Volts	230/460	Start Configuration	direct on line		
Full Load Amps	48/24	Breakdown Torque	187 LB-FT		
R.P.M.	1765	Pull-up Torque	78.1 LB-FT		
Hz	60	Locked-rotor Torque	112 LB-FT		
NEMA Design Code	A	Starting Current	156 A		
Service Factor (S.F.)	1.15	No-load Current	8.83 A		
NEMA Nom. Eff.	93	Line-line Res. @ 25°C	0.48438 Ω		
Rating - Duty	40C AMB-CONT	Temp. Rise @ Rated Load	37°C		
S.F. Amps		Temp. Rise @ S.F. Load	46°C		
		Locked-rotor Power Factor	33.3		

Load Characteristics 460 V, 60 Hz, 20 HP

% of Rated Load	25	50	75	100	125	150	S.F.
Power Factor	50	72	81	85	87	87	86
Efficiency	90.2	93.3	93.5	93	92.2	91	92.5
Speed	1792.2	1784.8	1776.1	1767.5	1757.6	1746.3	1762
Line amperes	10.5	14	18.6	23.8	29.4	35.6	27.2

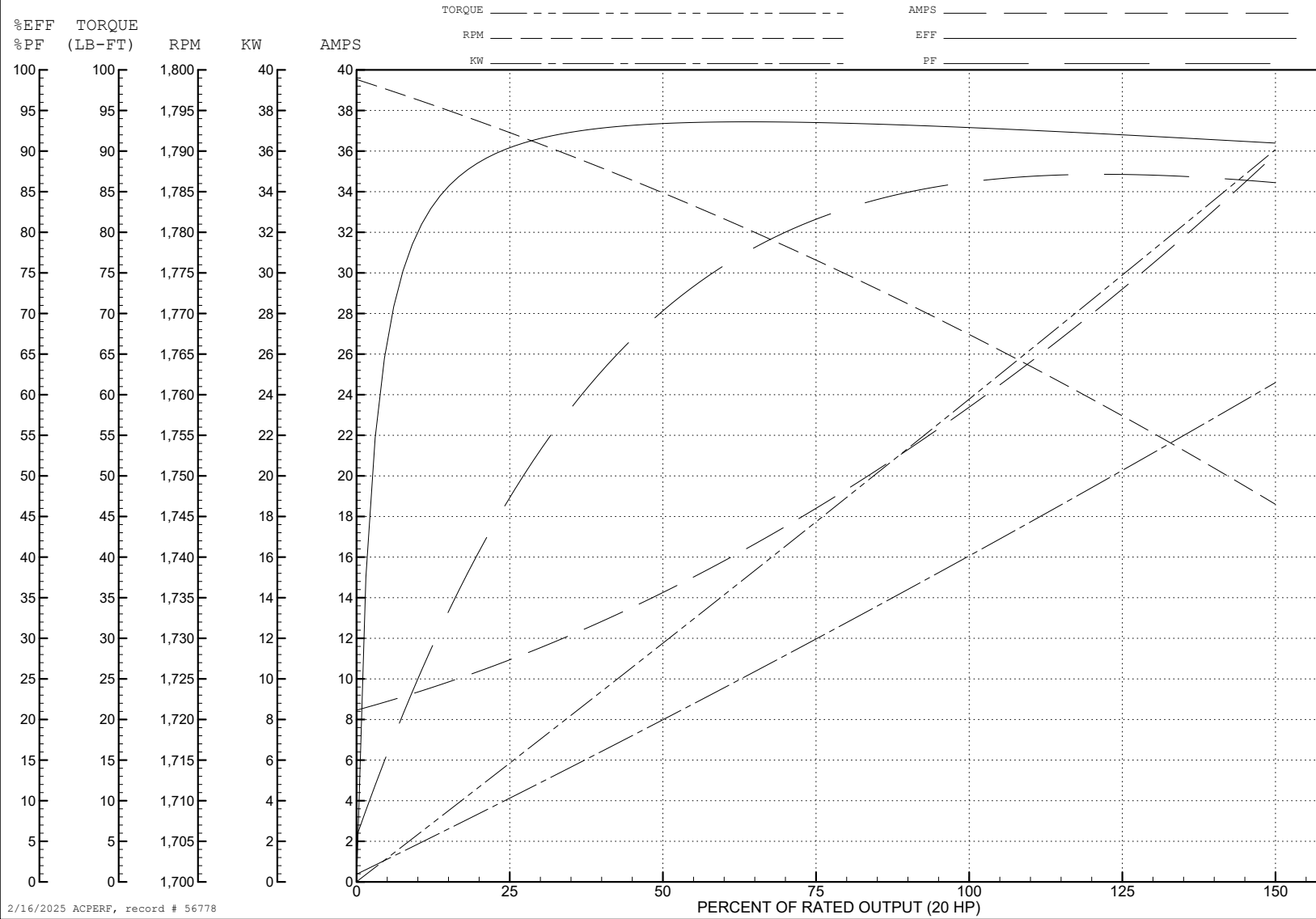
ABB Motors and Mechanical Inc.

WINDING # 39WGX952

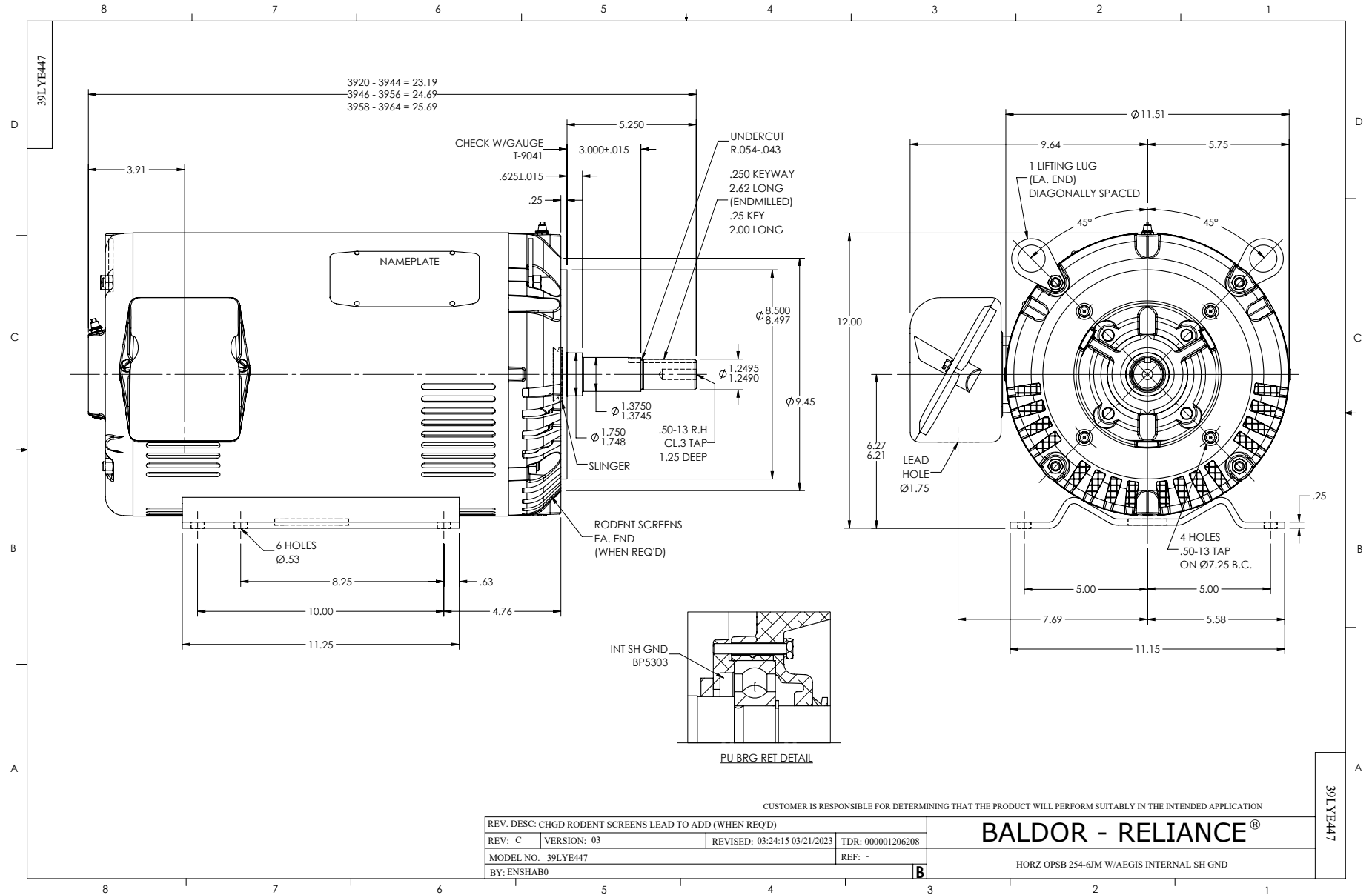
Typical performance - not guaranteed values.

20 HP 3 PH 60 HZ 1765 RPM 460 V 3948M

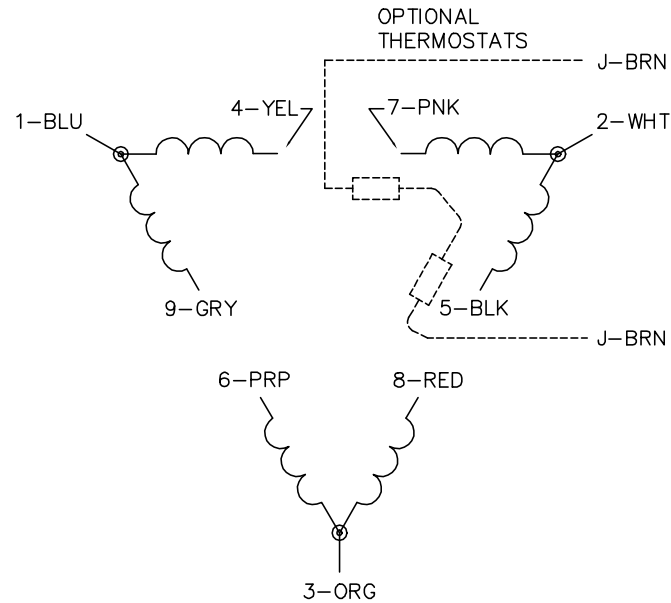
TORQUES (LB-FT): PO=187 PU=78.1 LR=112 LRA=156



2/16/2025 ACPERF, record # 56778



CD0180



LOW VOLTAGE
(2D)



HIGH VOLTAGE
(1D)



NOTES:

1. INTERCHANGE ANY TWO LINE LEADS TO REVERSE ROTATION.
2. OPTIONAL THERMOSTATS ARE PROVIDED WHEN SPECIFIED.
3. ACTUAL NUMBER OF INTERNAL PARALLEL CIRCUITS MAY BE A MULTIPLE OF THOSE SHOWN ABOVE.
4. LEAD COLORS ARE OPTIONAL. LEADS MUST ALWAYS BE NUMBERED AS SHOWN.

CD0180

REV. DESC: ADD CLASS CONN00000007		
REV. LTR: D	VERSION: 01	TDR: 000001099922
FILE: \AAA\00005\148	REVISED: 10: 25: 29 02/19/2019	BY: ENBRIRO
MTL: -	© □	

BALDOR - RELIANCE®

3PH, DV, 9 LEADS, DELTA CONNECTION

SH 1 of 1