

BALDOR • RELIANCE

Customer information packet

VLECP84107T-4

48M 2P TEFC VER 284LP IEEE841 32-8 DRIP

Class - CLI GP A,B,C,D

Division - Division II

Copyright © All product information within this document is subject to ABB Motors and Mechanical Inc. copyright © protection, unless otherwise noted.

2/16/2025 11:08:51 PM

Specifications

Enclosure	TEFC
Frame	284LP
Frame Material	Iron
Frequency	60.00 Hz
Haz Area Class and Group	CLI GP A,B,C,D
Haz Area Division	Division II
Motor Letter Type	Three Phase
Output @ Frequency	25.000 HP @ 60 HZ
Phase	3
Synchronous Speed @ Frequency	3600 RPM @ 60 HZ
Voltage @ Frequency	460.0 V @ 60 HZ
Agency Approvals	CSA EEV NEMA PREMIUM UR CCSA US
Ambient Temperature	40 °C
Auxillary Box	No Auxillary Box
Auxillary Box Lead Termination	None
Base Indicator	No Mounting
Bearing Grease Type	Polyrex EM (-20F +300F)
Blower	None
Constant Torque Speed Range	6
Current @ Voltage	28.000 A @ 460.0 V
Design Code	B
Drip Cover	Drip Cover
Duty Rating	CONT
Efficiency @ 100% Load	91.7 %
Electrically Isolated Bearing	Not Electrically Isolated
Enclosure Modification	841
Feedback Device	NO FEEDBACK
Front Shaft Indicator	Standard
Haz Area Temp Code	T3

Part detail

Revision	G
Type	AC
Mech. spec.	10K389
Base	
Status	PRD/A
Elec. spec.	10WGZ242
Layout	10LYK389
Eff. date	04-09-2024
CD Diagram	CD0006
Poles	02
Leads	3#10
Proprietary	False
Created date	03-25-2019

Heater Indicator	No Heater
High Voltage Full Load Amps	28.0 a
Insulation Class	F
Inverter Code	Inverter Duty
IP Rating	IP56
KVA Code	F
Lifting Lugs	Vertical Lifting Lugs
Locked Bearing Indicator	Locked Bearing
Max Speed	5400 rpm
Motor Lead Quantity/Wire Size	3 @ 10 AWG
Motor Lead Termination	Ring Terminals
Motor Standards	NEMA
Motor Type	1048M
Mounting Arrangement	V1
Number of Poles	2
Overall Length	36.31 IN
Power Factor	90
Product Family	Chem Process S/P 32-8 IEEE 841
Pulley End Bearing Type	Ball
Pulley Face Code	P-Base
Pulley Shaft Indicator	P-Base Groove & Key
Rodent Screen	None
RoHS Status	ROHS NON-COMPLIANT
Service Factor	1.15
Shaft Diameter	2.125 IN
Shaft Ground Indicator	No Shaft Grounding
Shaft Rotation	Reversible
Shaft Slinger Indicator	No Slinger
Speed	3520 rpm
Speed Code	Single Speed
Starting Method	Direct on line
Thermal Device - Winding	None
Vibration Sensor Indicator	No Vibration Sensor
Winding Thermal 1	None

Winding Thermal 2

None

Nameplate

NP4332

STK.NO.	VLECP84107T-4	P/N		ENCLOSURE	TEFC
SPEC.	10K389Z242G1	CC	010A	FRAME	284LP
HP	25	CLASS	F	HZ	60
RPM	3520	RPM MAX	5400	ODE BRG	7309
VOLT	460	PH	3	DE BRG	6213
AMP	28	DES	B	D.E. BRG.	65BC02X30X
RATING	40C AMB-CONT	PH	3	D.E. BRG.	65BC02X30X
NEMA-NOM-EFF	91.7	KVA-CODE	F	O.D.E. BRG.	45BT03X30X
G.MIN.EFF	90.2	MOTOR WEIGHT	396	GREASE	POLYREX EM
TEMP CODE	T3	MAX. KVAR	3.1	BLANK	
TEMP =	200	SER.F.	1.15	IP	56
CT HZ FROM	1.3	# OF ROTOR BARS	28	INV.TYPE	PWM
HTR-VOLTS		# OF STATOR SLOTS	36	PF	90
HTR-AMPS		INVERTER-TEMP-CODE	200		
HTR-WATTS		C HP FR	60	C HP TO	90
MAX. SPACE HEATER TEMP.		CT HZ TO	60		
VT HZ FROM	0-			VT HZ TO	60

AC Induction Motor Performance Data

Record # 47223

Typical performance - not guaranteed values

Winding: 10WGZ242-R004		Type: 1048M	Enclosure: TEFC	
Nameplate Data			460 V, 60 Hz: Single Voltage Motor	
Rated Output (HP)	25	Full Load Torque	37.3 LB-FT	
Volts	460	Start Configuration	direct on line	
Full Load Amps	28	Breakdown Torque	103 LB-FT	
R.P.M.	3520	Pull-up Torque	42.1 LB-FT	
Hz	60 Phase	3	Locked-rotor Torque	54 LB-FT
NEMA Design Code	B KVA Code	F	Starting Current	171 A
Service Factor (S.F.)	1.15	No-load Current	6.99 A	
NEMA Nom. Eff.	91.7 Power Factor	90	Line-line Res. @ 25°C	0.29072 Ω
Rating - Duty	40C AMB-CONT	Temp. Rise @ Rated Load	57°C	
S.F. Amps		Temp. Rise @ S.F. Load	70°C	
		Locked-rotor Power Factor	23.3	

Load Characteristics 460 V, 60 Hz, 25 HP

% of Rated Load	25	50	75	100	125	150	S.F.
Power Factor	69	83	89	90	90	90	90
Efficiency	87.8	91.6	92.2	91.8	90.9	89.7	91.3
Speed	3580.1	3563.2	3542.7	3521.3	3497	3469.9	3507
Line amperes	10.1	15.4	21.7	28.3	35.7	43.5	32.7

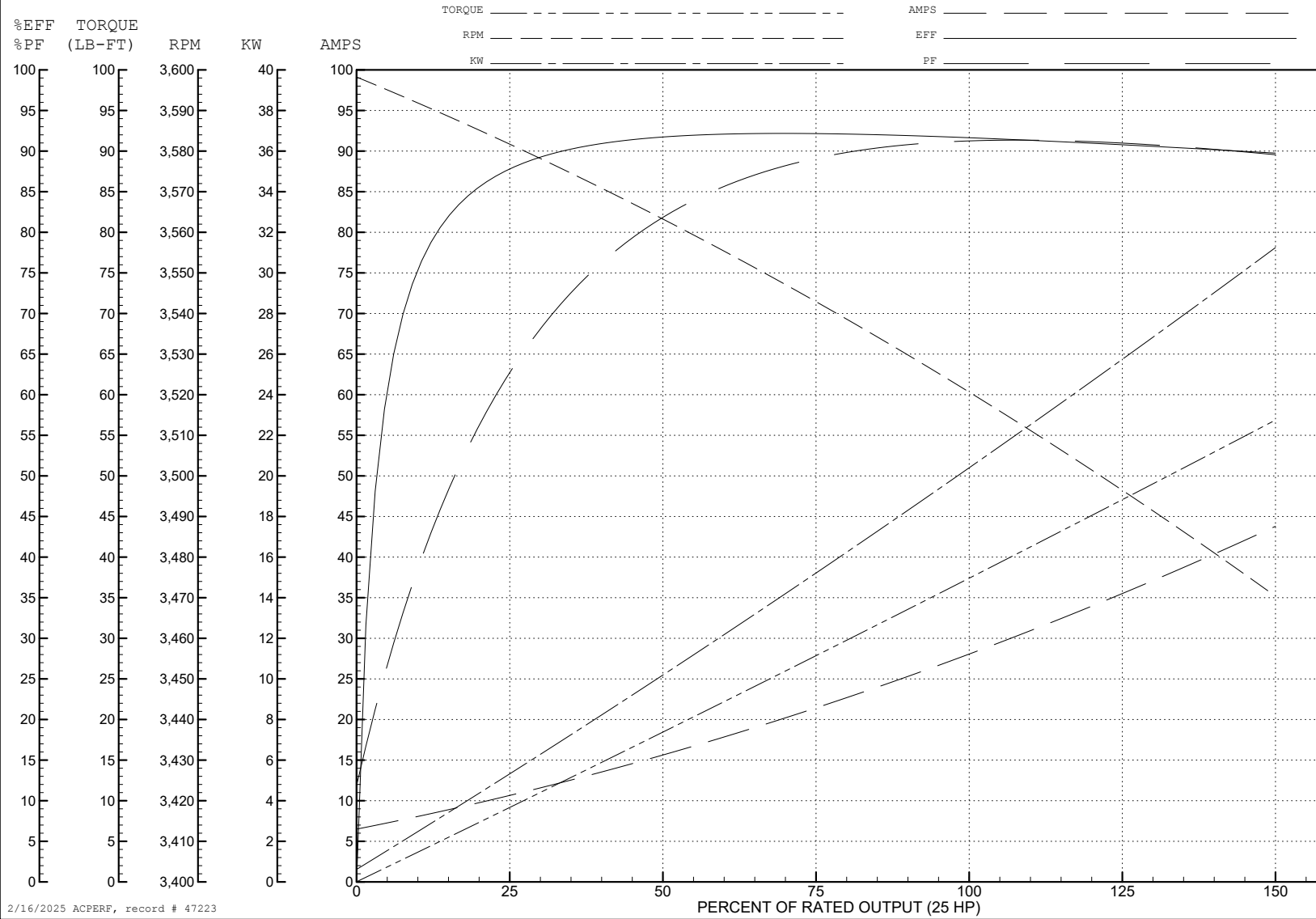
ABB Motors and Mechanical Inc.

WINDING # 10WGZ242

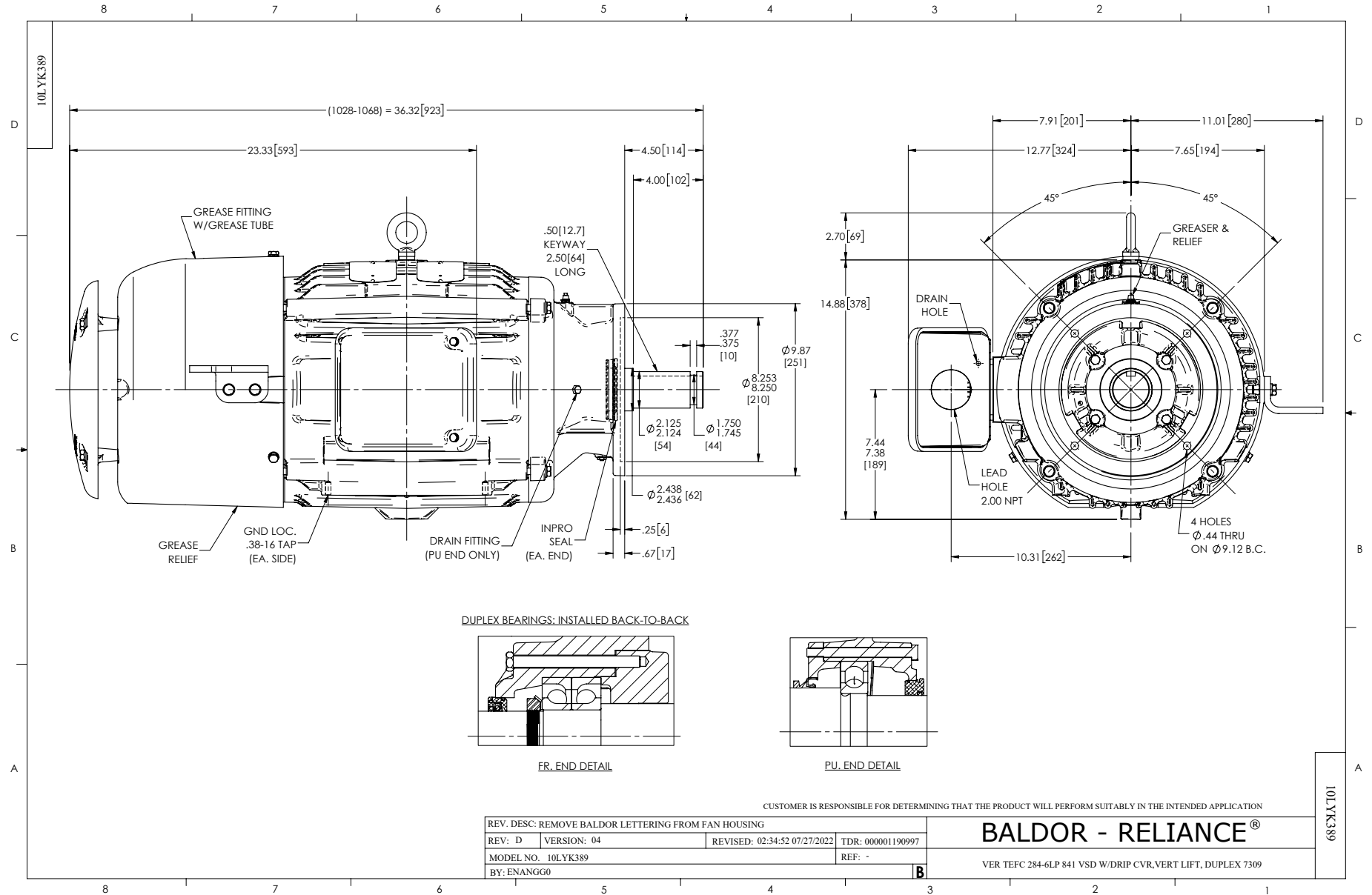
25 HP 3 PH 60 HZ 3520 RPM 460 V 1048M

Typical performance - not guaranteed values.

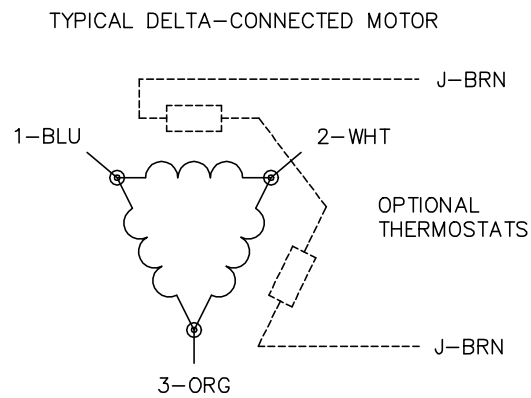
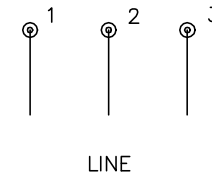
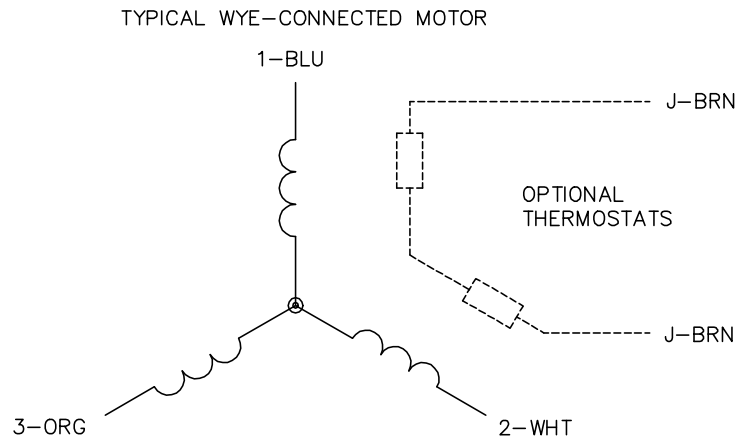
TORQUES (LB-FT): PO=103 PU=42.1 LR=54 LRA=171



2/16/2025 ACPERF, record # 47223



CD0006



NOTES:

1. THREE LEAD MOTOR MAY BE EITHER WYE CONNECTED OR DELTA CONNECTED.
2. INTERCHANGE ANY TWO LINE LEADS TO REVERSE ROTATION.
3. OPTIONAL THERMOSTATS ARE PROVIDED WHEN SPECIFIED.
4. ACTUAL NUMBER OF INTERNAL PARALLEL CIRCUITS MAY VARY.
5. LEAD COLORS ARE OPTIONAL. LEADS MUST BE NUMBERED AS SHOWN.

CD0006

REV. DESC: ADD CLASS CONN00000007		
REV. LTR: E	VERSION: 01	TDR: 000001099922
FILE: \AAA\00005\141	REVISED: 10:24:49 02/19/2019	BY: ENBRIRO
MTL: -	© □	

BALDOR - RELIANCE®

3PH, SV, 3 LEADS, WYE OR DELTA CONNECTED

SH 1 of 1