

BALDOR • RELIANCE

Customer information packet

EWDM4404T

75HP, 1185RPM, 3PH, 60HZ, 405T, TEFC, F1

Class - None

Division - Not Applicable

Specifications

Enclosure	TEFC
Frame	405T
Frame Material	Iron
Frequency	60.00 Hz
Haz Area Class and Group	None
Haz Area Division	Not Applicable
Motor Letter Type	Three Phase
Output @ Frequency	75.000 HP @ 60 HZ
Phase	3
Synchronous Speed @ Frequency	1200 RPM @ 60 HZ
Voltage @ Frequency	230.0 V @ 60 HZ 460.0 V @ 60 HZ
Agency Approvals	CSA EEV CCSA US
Ambient Temperature	40 °C
Auxillary Box	No Auxillary Box
Base Indicator	Rigid
Bearing Grease Type	Polyrex EM (-20F +300F)
Current @ Voltage	174.000 A @ 230.0 V 87.000 A @ 460.0 V
Design Code	B
Drip Cover	No Drip Cover
Duty Rating	CONT
Efficiency @ 100% Load	94.5 %
Enclosure Modification	Severe Duty Features
Feedback Device	NO FEEDBACK
Heater Indicator	No Heater
High Voltage Full Load Amps	87.0 a
Insulation Class	F
Inverter Code	Inverter Ready
IP Rating	IP55
KVA Code	G

Part detail

Revision	A
Type	AC
Mech. spec.	
Base	
Status	PRD/A
Elec. spec.	A40WG0770
Layout	617429-533
Eff. date	10-22-2021
CD Diagram	416820-002
Poles	06
Leads	3#2,6#4
Proprietary	False
Created date	09-11-2019

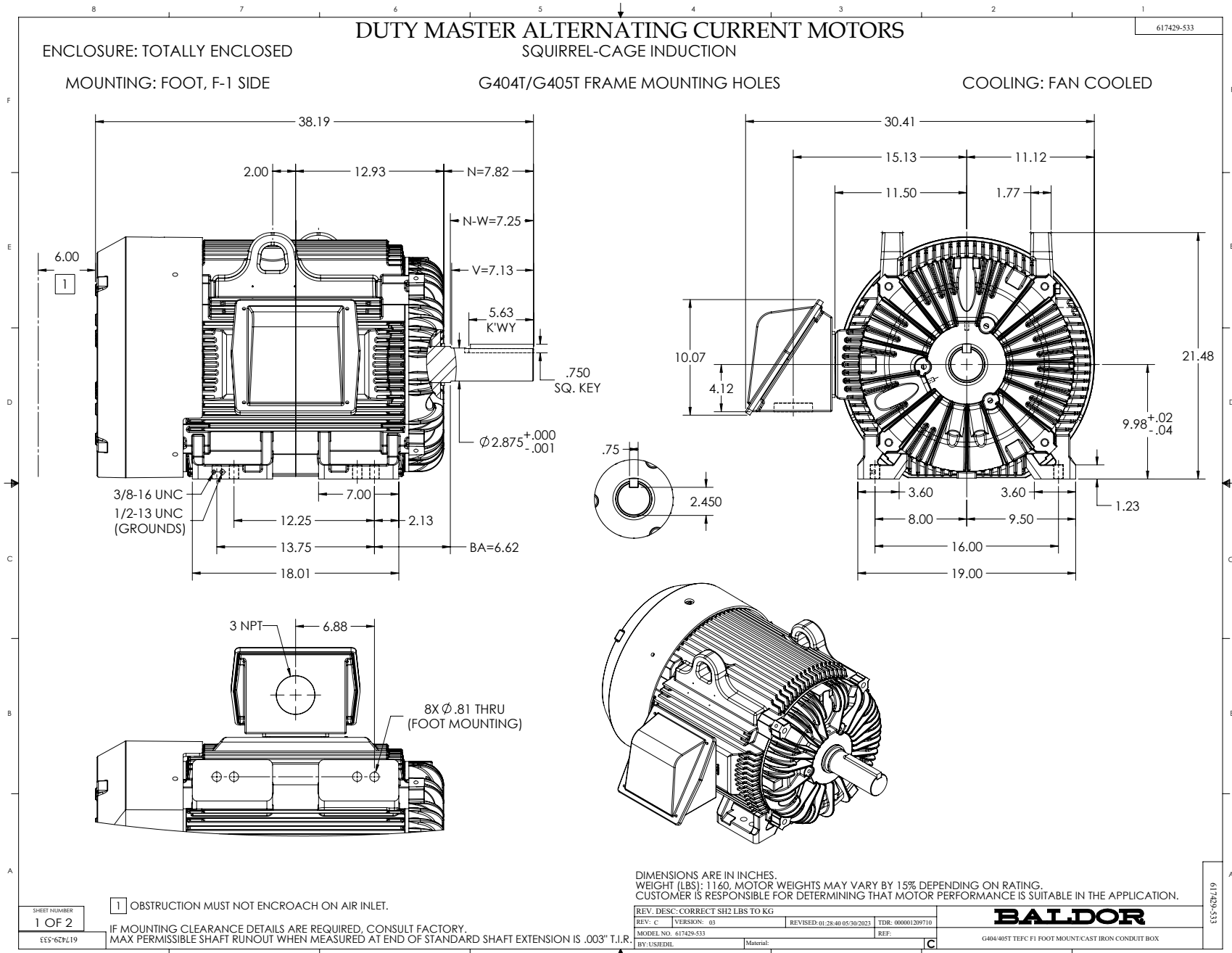
Motor Lead Quantity/Wire Size	3 @ 2 AWG
Motor Standards	NEMA
Motor Type	A40064M
Mounting Arrangement	F1
Number of Poles	6
Overall Length	38.19 IN
Power Factor	85
Product Family	Washdown Features
Pulley End Bearing Type	Ball
Pulley Face Code	Standard
Service Factor	1.15
Shaft Diameter	2.875 IN
Shaft Ground Indicator	No Shaft Grounding
Shaft Rotation	Reversible
Shaft Slinger Indicator	Shaft Slinger
Speed	1185 rpm
Speed Code	Single Speed
Starting Method	Direct on line
Thermal Device - Bearing	None
Thermal Device - Winding	None

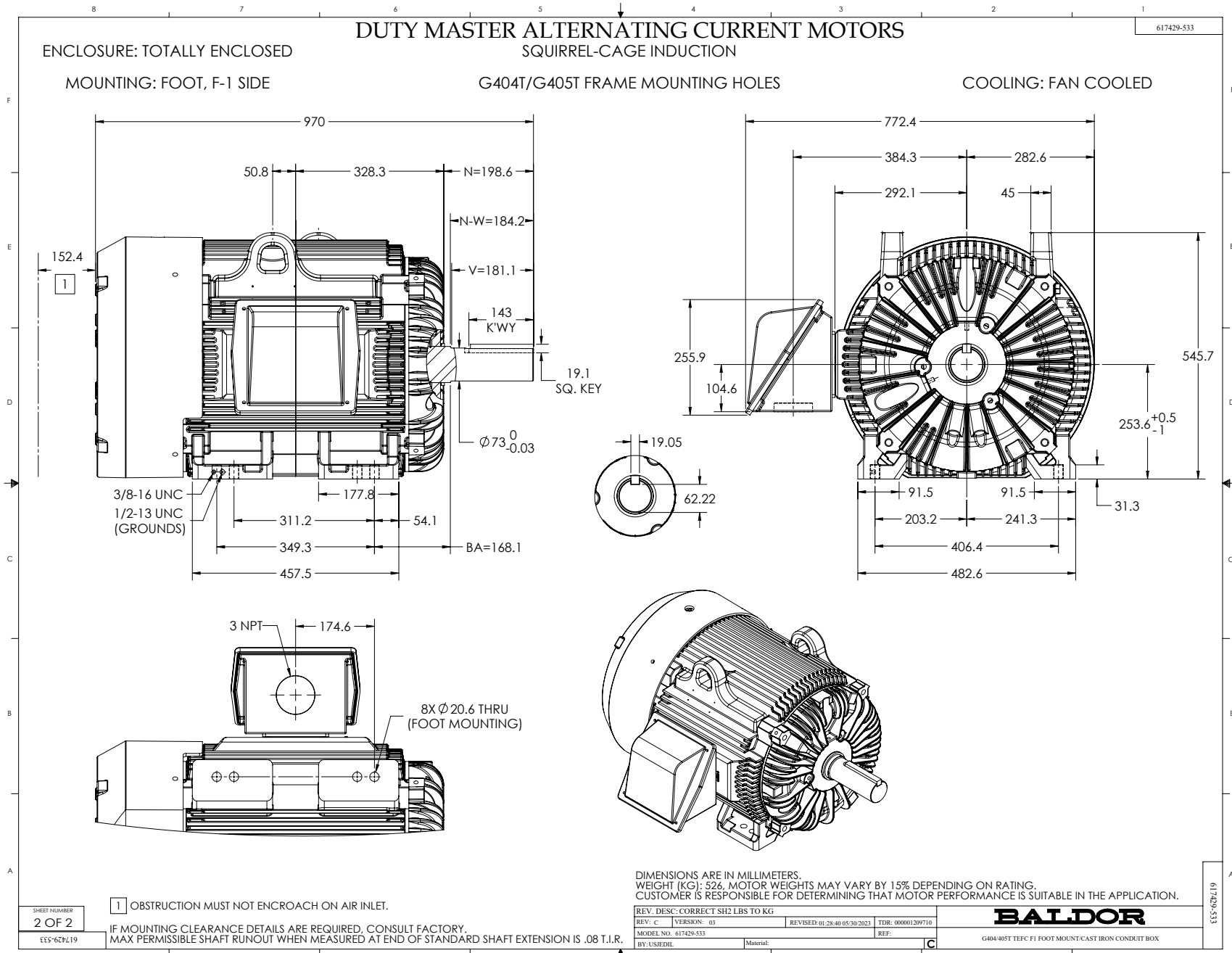
Nameplate

NP2496L	
MOBIL POLYREX EM	

NP2428L

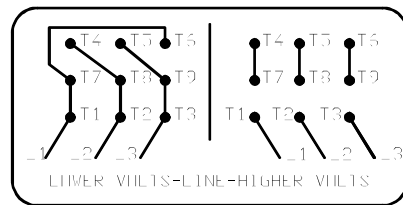
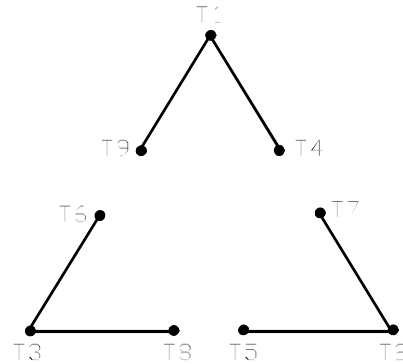
SPEC NO.	A40-7204-0770	CAT.NO.	EWDM4404T	FRAME	405T				
HP	75	VOLTS	230/460	PHASE	3	DESIGN	B	TYPE	P
RPM	1185	AMPS	174/87	HZ	60	AMB	40	SF	1.15
DRIVE END BEARING	80BC03JPP30A	DUTY	CONT	INSUL.CLASS	F				
OPP D.E. BEARING	80BC03JPP30A	ENCL	TEFC	CODE	G				
SER.NO.		POWER FACTOR	85	NEMA-NOM-EFFICIENCY	94.5				
		MAX CORR KVAR	15	GUARANTEED EFFICIENCY	93.6				
	IP55	NEMA NOM/CSA QUOTED EFF							
	6:1CT AND 6:1VT ON VPWM INVERT	ER, 1.00SF		MOTOR WEIGHT					





416820-002

A-C MOTOR
 CONNECTION DIAGRAM
 STANDARD 9 LEAD DELTA-CONNECTED



(N.P. 1575-B)

416820-002

REV. DESC: FONT CHANGE FOR PDF SEARCHABLE		
REV. LTR: A	VERSION: 01	TDR: 000001009382
FILE: \MGA\00000\661	REVISED: 02:46:19 02/13/2020	BY: MGHMTT
MTL: -	© □	

BALDOR - RELIANCE®

CONN DIAG - STANDARD 9 LEAD, DELTA-CONNECTED

SH 1 of 1