

SS HERA® GEAR DRIVE ACCESSORIES

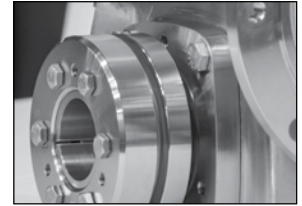
KEYLESS OUTPUT

HUBLOC® KEYLESS BUSHING SYSTEM FEATURES:

- The HubLoc system creates a keyless, backlash-free mechanical interference fit that eliminates the micromovement that causes fretting and cold welding.
- Self-centering design achieves optimum concentricity and eliminates oscillation in shaft mounted applications.
- HubLoc system can be installed easily in a few minutes requiring only standard hand tools.
- Is easily uninstalled using threaded push-off holes.
- HubCap® protective covers are made from metal-detectable plastic to support customer

HACCP programs. The blue color of the covers indicates that they are metal-detectable.

- Tamper resistant HubCap protective covers are easily installed by hand and require a hand tool for removal. No additional hardware needed.
- The open HubCap cover is split so that it can be installed after bushing installation. The two cover halves snap together for easy installation by hand.
- NEW – Heavy duty stainless steel safety covers available to provide an extra measure of protection where needed. In stock for model SSHERA35 and SSHERA45 gear drives. Other sizes available on request.



HUBLOC® KEYLESS BUSHING ORDERING INFORMATION

Step 1: Choose HubLoc Model based on your Product Line and Series/Model.			
	Product Line	Series/Model	HubLoc Model
Stainless Steel Products	Stainless Steel HERA® Gear Drive	SSHERA35EK	HL10SS
		SSHERA45EK	HL10SS

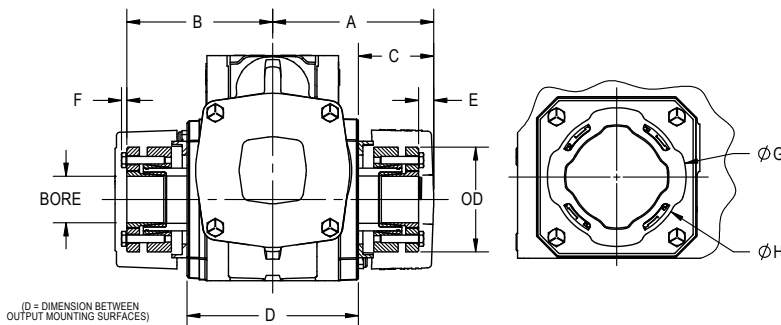
Step 2: Choose HubLoc Kit based on HubLoc Model determined in Step 1, and bore size desired.			
	HubLoc Model	Bores	HubLoc Kit Model
Stainless Steel HubLoc® Kits	HL10SS	1.000	HL10SS100K*
		1.188	HL10SS103K*
		1.250	HL10SS104K*
		1.375	HL10SS106K*
		1.438	HL10SS107K*

STOCK MODEL DIMENSIONS								
MODELS	A	B	C	D	E	F	G	OD
SSHERA35EK	4.78	4.25	2.40	4.77	0.53	0.16	4.28	3.23
SSHERA45EK	5.04	4.50	2.40	5.28	0.54	0.16	4.28	3.23

* Stock Kit.

HubLoc kit contains (2) bushings sets, (1) HubCap closed protective cover, and (1) HubCap open protective cover.

Note: HubCap closed cover kits can be ordered separately and fit both SSHERA35 and SSHERA45 models. Part # 0259-00313



NEW: Heavy duty stainless steel safety covers

SSHERA35 -CLOSED COVER KIT	0259-00294
SSHERA35 -OPEN COVER KIT	0259-00295
SSHERA45 -CLOSED COVER KIT	0259-00292
SSHERA45 -OPEN COVER KIT	0259-00293

Note: above kits include hardware and covers for one side of unit. (open covers allow output shaft to protrude)