

PROJECT: _____	UNIT TAG: _____	QUANTITY: _____
REPRESENTATIVE: _____	TYPE OF SERVICE: _____	DATE: _____
ENGINEER: _____	SUBMITTED BY: _____	DATE: _____
CONTRACTOR: _____	APPROVED BY: _____	DATE: _____
	ORDER NO.: _____	DATE: _____

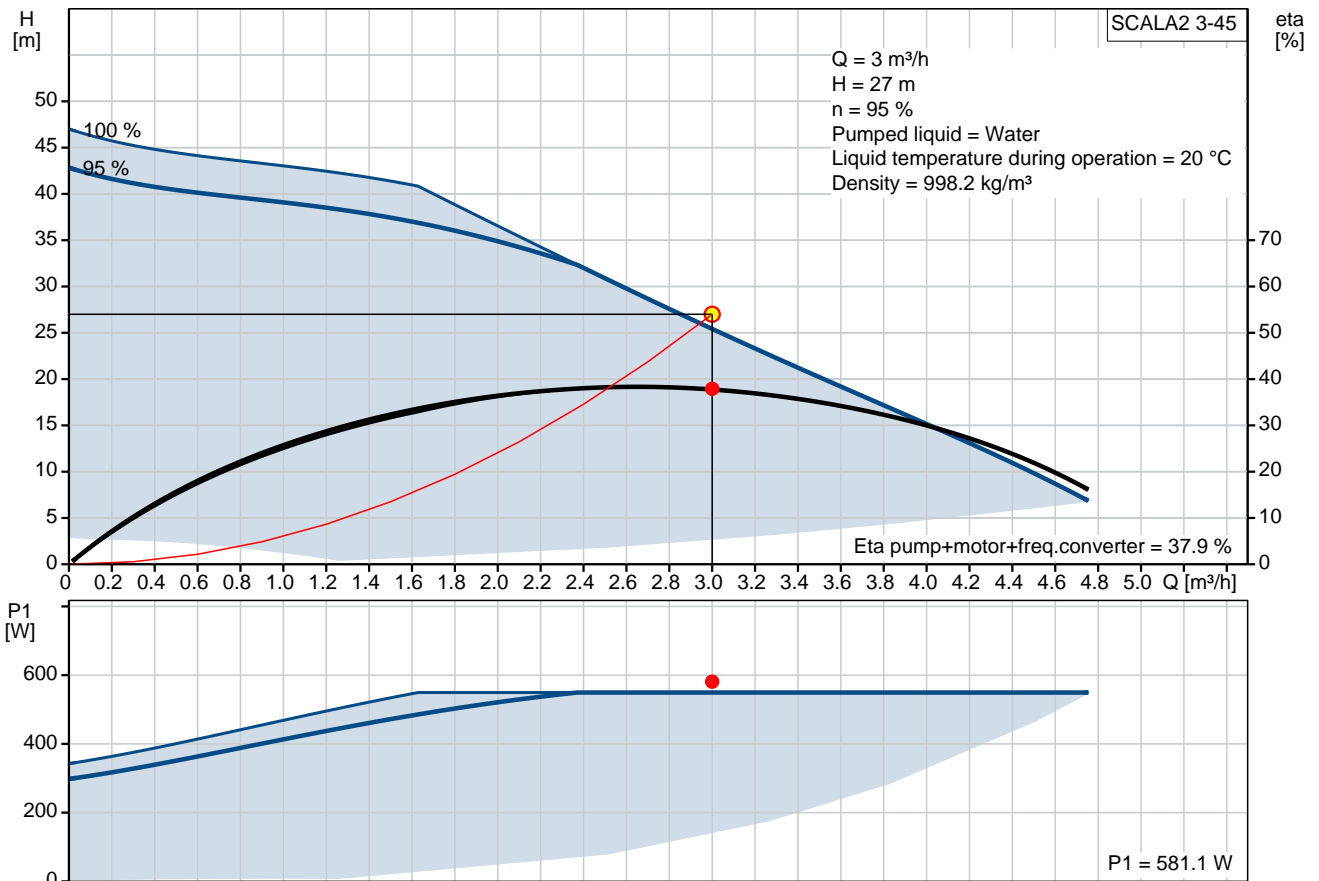


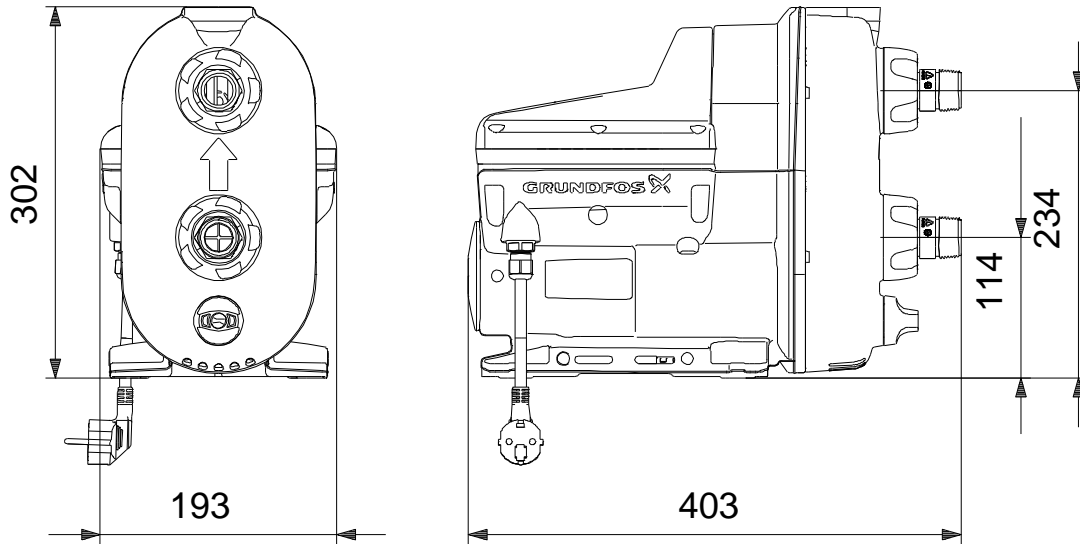
SCALA2 3-45

Grundfos SCALA is a fully integrated, self-priming, compact waterworks for pressure boosting in domestic applications, designed for pressure boosting in one- and two-family houses and apartments.

Note! Product picture may differ from actual product

Conditions of Service		Pump Data		Motor Data	
Flow:	3 m ³ /h	Maximum operating pressure:	10 bar	Rated voltage:	208-230 V
Head:	27 m	Liquid temperature range:	0 .. 45 °C	Mains frequency:	60 Hz
Efficiency:	37.9 %	Maximum ambient temperature:	45 °C	Enclosure class:	ENCLOSURE TYPE 3
Liquid:	Water	Approvals:	cULus	Insulation class:	F
Temperature:	20 °C	Pipe connection:	NPT 1 Composite		
NPSH required:	m	Product number:	98562817		
Viscosity:	_____				
Specific Gravity:	1.000				





Materials:

Pump housing: NORYL FE1630PW
PPE+PS-GS30

Impeller: NORYL FE1630PW
PPE+PS-GS30

Material code: A

Tender Text

Product No.: [98562817](#)**SCALA2 3-45 A**

Grundfos SCALA2 is a fully integrated, self-priming, compact waterworks for pressure boosting in domestic applications. SCALA2 incorporates integrated speed control enabling the keeping of the perfect pressure at the taps, meaning that the pump performance will increase with increasing demand.

SCALA2 can be installed in three easy steps:

1. Connect the pipes.
2. Prime the pump.
3. Plug the pump into the power outlet and the pump will start.

Grundfos SCALA2 has all the components necessary to ensure a comfortable pressure:

- intelligent controller
- integrated speed-controlled drive
- integrated tank
- integrated sensors
- integrated non-return valves.

As it is self-priming, the SCALA2 is able to pump water from a level below the pump. Provided it is filled with water, the pump is able to lift water from a depth of 8 m in less than 5 minutes. This facilitates easy installation and start-up of the pump and provides more reliable water supply in installations where there is a risk of dry running and leakages in suction hose or pipes.

If exposed to dry running, water shortage or excessive temperature, blocked pump, for example in case of seizure or overload, the pump will stop automatically, thus preventing a motor burnout.

The pump features an automatic reset function. In case of dry running or similar alarm, the pump will stop. Restarting will be attempted every 5 minutes 8 times, there after new restart attempt will occur every 24 hours. The automatic reset function can be deactivated.

Thanks to its hydraulic design, permanent magnet motor and water cooling, the pump is extremely low-noise, 47 dB(A) in typical use, which makes it suitable for indoor as well as outdoor use. Max noise level at full load are 53 dB(A)

The built-in pressure tank reduces the number of starts and stops in case of leakages in the pipe system, causing less wear on the pump.

SCALA2 require no maintenance, but it is recommended to keep the pump clean, check the non-return valves and keep the ventilation holes free of dust

Liquid:

Pumped liquid: Water
Liquid temperature range: 0 .. 45 °C
Liquid temperature during operation: 20 °C
Density: 998.2 kg/m³

Technical:

Actual calculated flow: 3 m³/h
Resulting head of the pump: 27 m
Primary shaft seal: CARBON/CERAMIC
Approvals on nameplate: cULus
Approvals for drinking water: cULus NSF372,cULus DW NSF61
Curve tolerance: ISO9906:2012 3B

Materials:

Pump housing: NORYL FE1630PW PPE+PS-GS30
Impeller: NORYL FE1630PW PPE+PS-GS30

Installation:


Range of ambient temperature: 0 .. 45 °C
Maximum operating pressure: 10 bar
Maximum permissible inlet pressure: 6 bar
Pipe connection: NPT 1 Composite

Electrical data:

Power input - P1: 550 W
Mains frequency: 60 Hz
Rated voltage: 1 x 208-230 V
Rated current: 2.8 A
Enclosure class (IEC 34-5): ENCLOSURE TYPE 3
Insulation class (IEC 85): F
Length of cable: 2 m
Power plug: NEMA 6-15

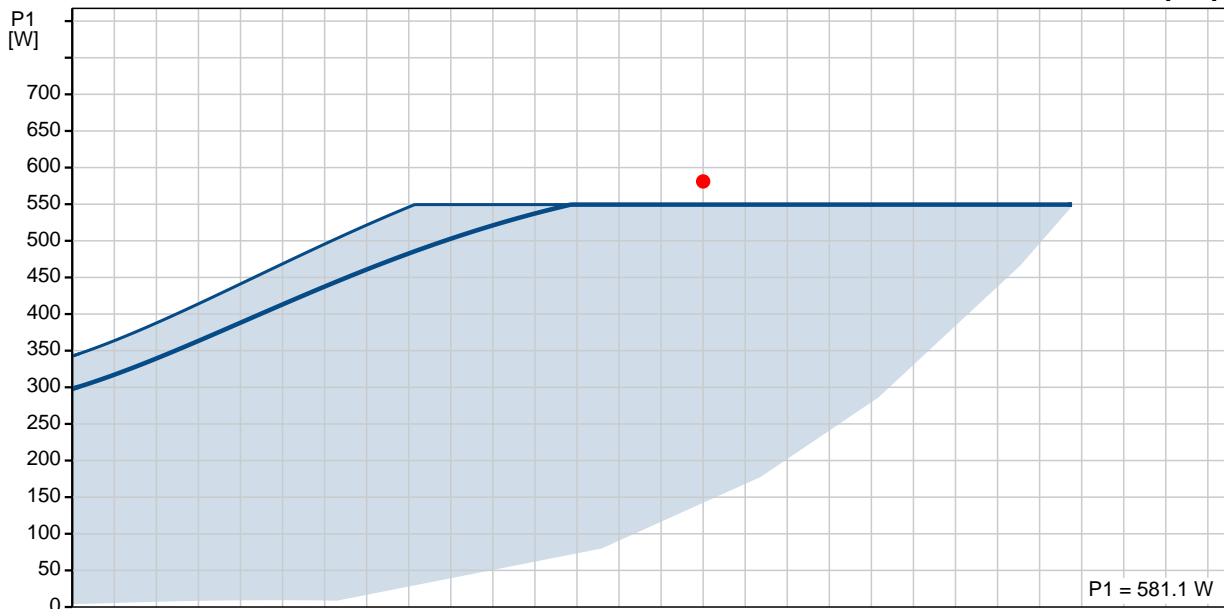
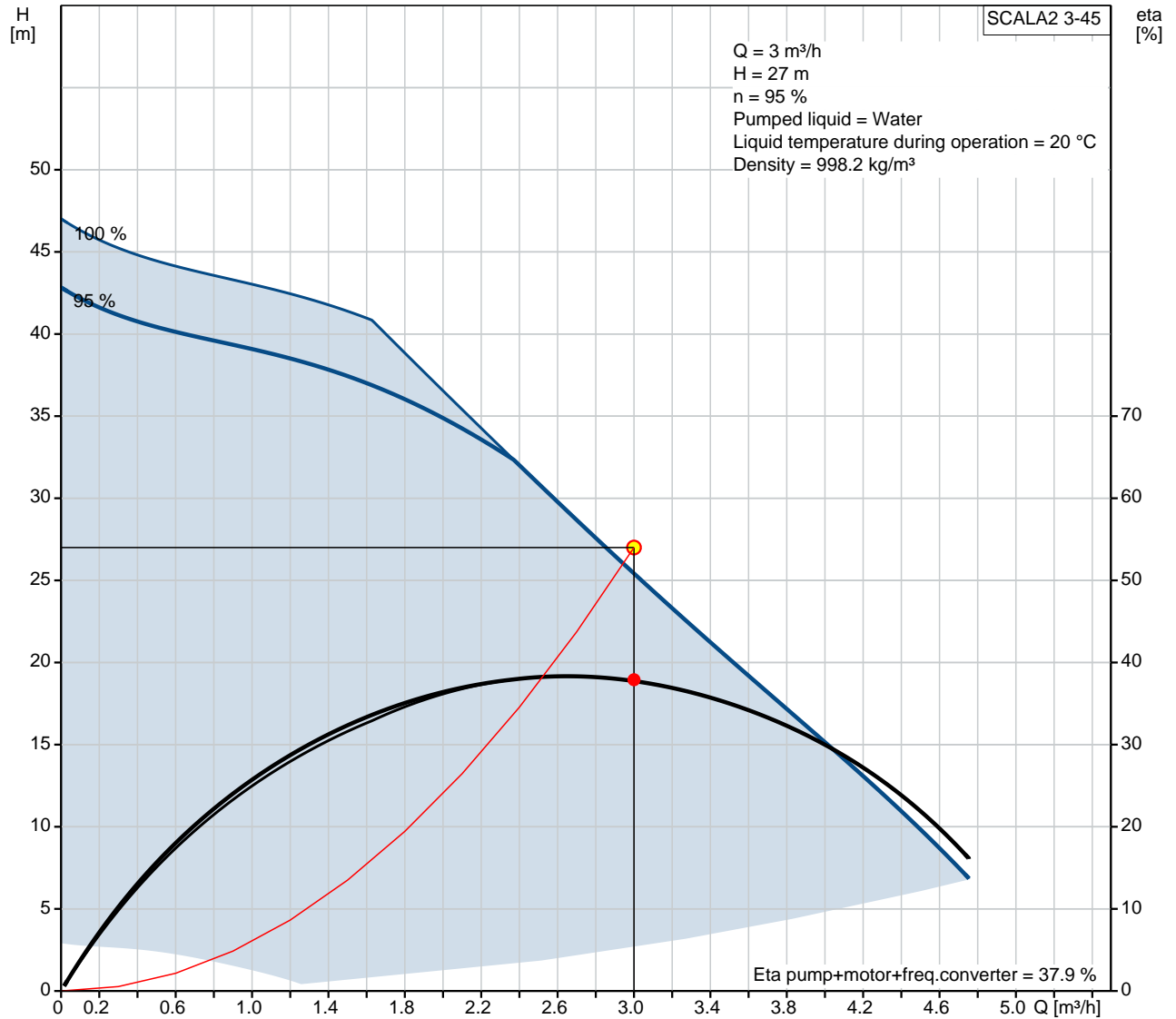
Others:

Net weight: 9.55 kg
Gross weight: 11.8 kg
Shipping volume: 0.044 m³
Storage temperature range: -40 .. 70 °C

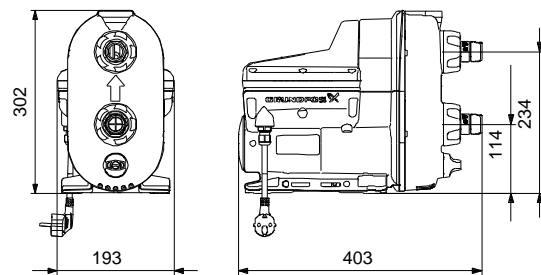
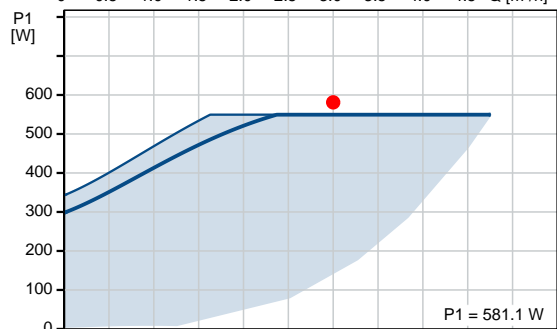
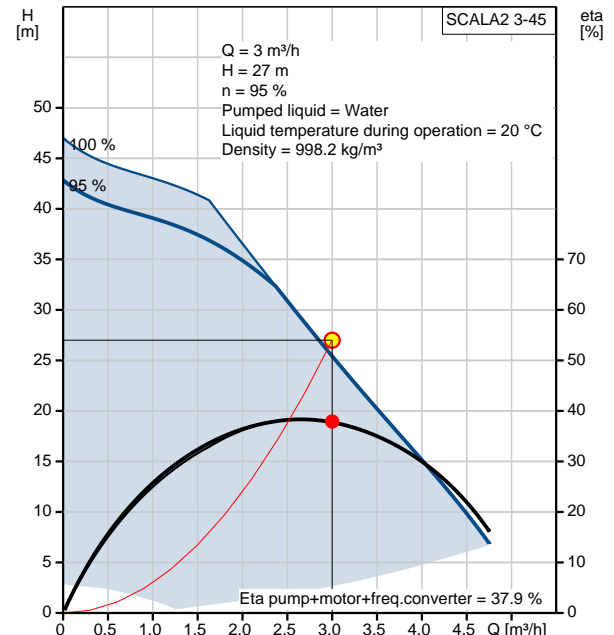
Position	Qty.	Description
	1	<p>SCALA2 3-45 A</p>  <p>Product No.: 98562817</p> <p>Grundfos SCALA2 is a fully integrated, self-priming, compact waterworks for pressure boosting in domestic applications. SCALA2 incorporates integrated speed control enabling the keeping of the perfect pressure at the taps, meaning that the pump performance will increase with increasing demand.</p> <p>SCALA2 can be installed in three easy steps:</p> <ol style="list-style-type: none"> 1. Connect the pipes. 2. Prime the pump. 3. Plug the pump into the power outlet and the pump will start. <p>Grundfos SCALA2 has all the components necessary to ensure a comfortable pressure:</p> <ul style="list-style-type: none"> • intelligent controller • integrated speed-controlled drive • integrated tank • integrated sensors • integrated non-return valves. <p>As it is self-priming, the SCALA2 is able to pump water from a level below the pump. Provided it is filled with water, the pump is able to lift water from a depth of 8 m in less than 5 minutes. This facilitates easy installation and start-up of the pump and provides more reliable water supply in installations where there is a risk of dry running and leakages in suction hose or pipes.</p> <p>If exposed to dry running, water shortage or excessive temperature, blocked pump, for example in case of seizure or overload, the pump will stop automatically, thus preventing a motor burnout.</p> <p>The pump features an automatic reset function. In case of dry running or similar alarm, the pump will stop. Restarting will be attempted every 5 minutes 8 times, there after new restart attempt will occur every 24 hours. The automatic reset function can be deactivated.</p> <p>Thanks to its hydraulic design, permanent magnet motor and water cooling, the pump is extremely low-noise, 47 dB(A) in typical use, which makes it suitable for indoor as well as outdoor use. Max noise level at full load are 53 dB(A)</p> <p>The built-in pressure tank reduces the number of starts and stops in case of leakages in the pipe system, causing less wear on the pump.</p> <p>SCALA2 require no maintenance, but it is recommended to keep the pump clean, check the non-return valves and keep the ventilation holes free of dust</p> <p>Liquid: Pumped liquid: Water Liquid temperature range: 0 .. 45 °C Liquid temperature during operation: 20 °C</p>

Position	Qty.	Description
		<p>Density: 998.2 kg/m³</p> <p>Technical: Actual calculated flow: 3 m³/h Resulting head of the pump: 27 m Primary shaft seal: CARBON/CERAMIC Approvals on nameplate: cULus Approvals for drinking water: cULus NSF372,cULus DW NSF61 Curve tolerance: ISO9906:2012 3B</p> <p>Materials: Pump housing: NORYL FE1630PW PPE+PS-GS30 Impeller: NORYL FE1630PW PPE+PS-GS30</p> <p>Installation: Range of ambient temperature: 0 .. 45 °C Maximum operating pressure: 10 bar Maximum permissible inlet pressure: 6 bar Pipe connection: NPT 1 Composite</p> <p>Electrical data: Power input - P1: 550 W Mains frequency: 60 Hz Rated voltage: 1 x 208-230 V Rated current: 2.8 A Enclosure class (IEC 34-5): ENCLOSURE TYPE 3 Insulation class (IEC 85): F Length of cable: 2 m Power plug: NEMA 6-15</p> <p>Others: Net weight: 9.55 kg Gross weight: 11.8 kg Shipping volume: 0.044 m³ Storage temperature range: -40 .. 70 °C</p>

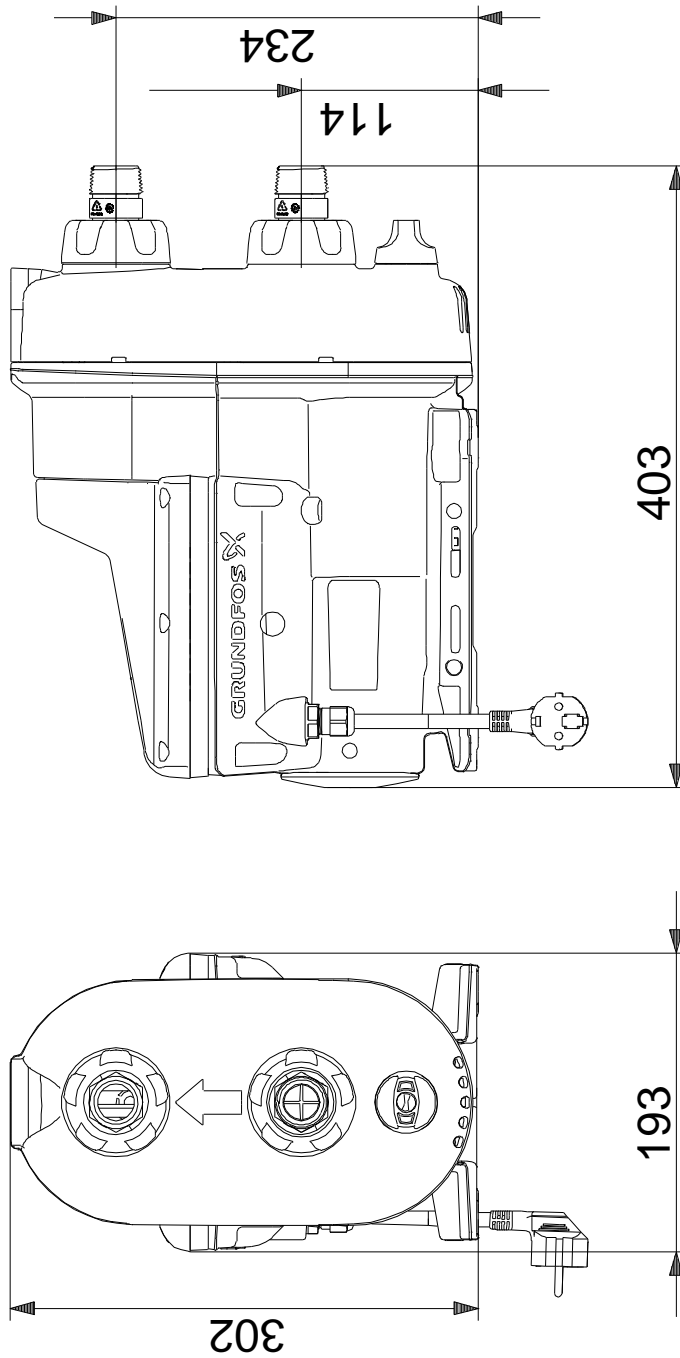
98562817 SCALA2 3-45 60 Hz



Description	Value
General information:	
Product name:	SCALA2 3-45 A
Product No:	98562817
EAN number:	5711497233868
Technical:	
Actual calculated flow:	3 m ³ /h
Resulting head of the pump:	27 m
Head max:	45 m
Primary shaft seal:	CARBON/CERAMIC
Approvals on nameplate:	cULus
Approvals for drinking water:	cULus NSF372,cULus DW NSF61
Curve tolerance:	ISO9906:2012 3B
Model:	A
Materials:	
Pump housing:	NORYL FE1630PW PPE+PS-GS30
Impeller:	NORYL FE1630PW PPE+PS-GS30
Material code:	A
Installation:	
Range of ambient temperature:	0 .. 45 °C
Maximum operating pressure:	10 bar
Maximum permissible inlet pressure:	6 bar
Pipe connection:	NPT 1 Composite
Liquid:	
Pumped liquid:	Water
Liquid temperature range:	0 .. 45 °C
Liquid temperature during operation:	20 °C
Density:	998.2 kg/m ³
Electrical data:	
Power input - P1:	550 W
Mains frequency:	60 Hz
Rated voltage:	1 x 208-230 V
Rated current:	2.8 A
Enclosure class (IEC 34-5):	ENCLOSURE TYPE 3
Insulation class (IEC 85):	F
Length of cable:	2 m
Power plug:	NEMA 6-15
Others:	
Net weight:	9.55 kg
Gross weight:	11.8 kg
Shipping volume:	0.044 m ³
Storage temperature range:	-40 .. 70 °C



98562817 SCALA2 3-45 60 Hz



Note! All units are in [mm] unless others are stated.
Disclaimer: This simplified dimensional drawing does not show all details.



Company name:

Created by:

Phone:

Date: 21/02/2018

Order Data:

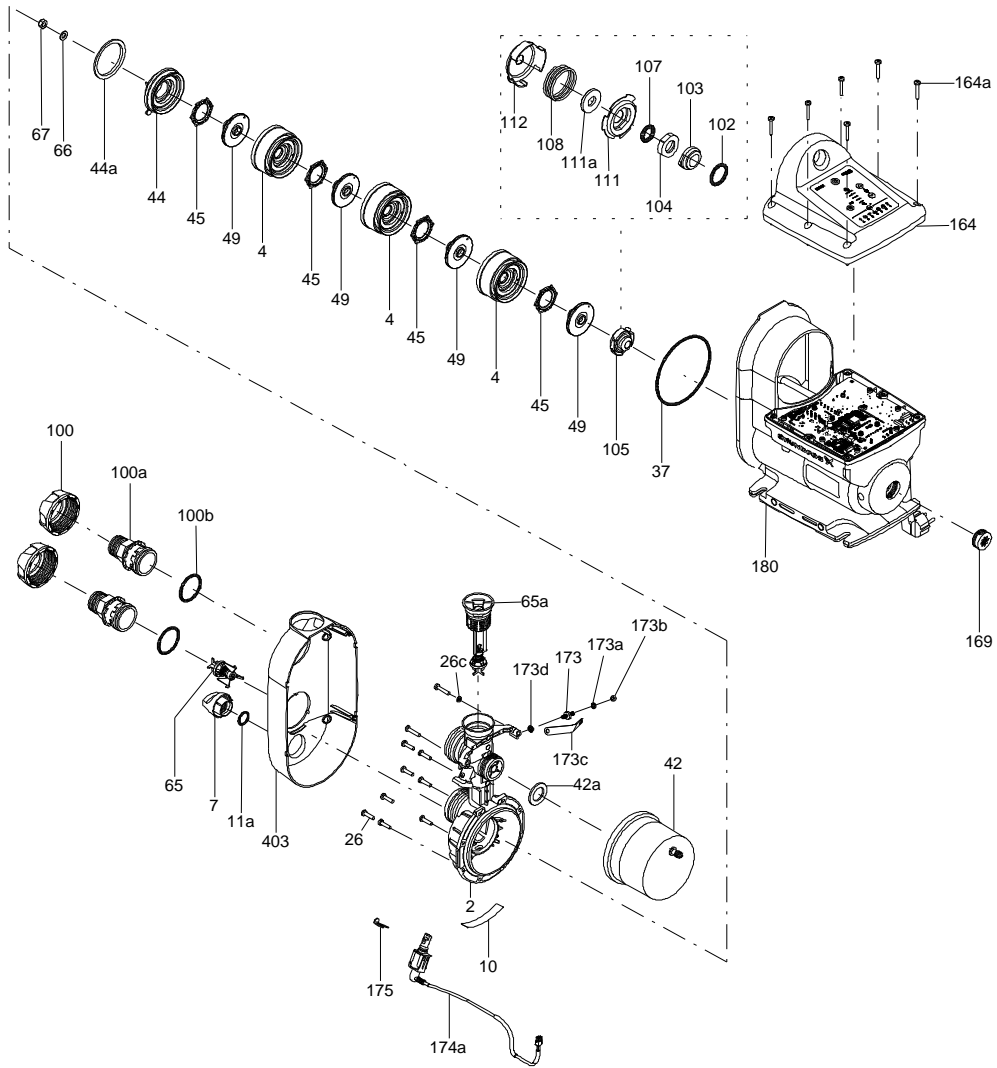
Product name: SCALA2 3-45 A

Amount: 1

Product No: 98562817

Total: Price on request

Exploded view (TM064966 SCALA2)



Parts list SCALA2 3-45, Product No. 98562817

Valid from 20.1.2016 (1603)

Pos	Description	Annotation	Classification Data	Part no.	Qty.	Unit
	O-ring				1	pcs
	O-ring				1	pcs
	O-ring				1	pcs
	O-ring				1	pcs
	O-ring				1	pcs
	Ball bearing				1	pcs
	Shaft w/rotor				1	pcs
	Nameplate				1	pcs
	Cooling jacket				1	pcs
	Protective cap				2	pcs
	Stator				1	pcs
	Plug				1	pcs
	Cable w/plug				1	pcs
	Centring ring				2	pcs
	Screw w/washer				4	pcs
	Seal cover				1	pcs
	Cable w/plug cpl.				1	pcs
	Mainboard cpl.				1	pcs
	Foil				1	pcs
	Hex socket head cap screw				7	pcs
	Center part				1	pcs
	Waved washer				1	pcs
	HMI board SMD				1	pcs
	Bug filter				1	pcs
	Cross recess Pan head screw				1	pcs
2	Connection				1	pcs
4	Chamber cpl.				2	pcs
4	Chamber cpl.				1	pcs
7	Plug				1	pcs
10	Valve				1	pcs
11a	O-ring				1	pcs
26	Socket pan head screw				10	pcs
37	O-ring				1	pcs
42	Tank cpl.				1	pcs
42a	Gasket				1	pcs
- 44	Inlet part				1	pcs
	Inlet part				1	
	Holder				1	
45	Sealing cpl.				1	
44a	Seal ring				1	pcs
49	Impeller cpl.				4	pcs
65	Non-return valve inlet				1	pcs
65a	Non-return valve outlet				1	pcs
66	Washer				1	pcs
67	Lock nut		Designation: A2 DIN985 Thread: M8		1	pcs
100	Union nut				2	pcs
100a	Fitting				2	pcs
100b	O-ring				2	pcs
- 105	Shaft seal cpl.				1	pcs
102	O-ring				1	
103	Seal ring, stationary				1	
104	Seal ring, rotating				1	



Company name:

Created by:

Phone:

Date: 21/02/2018

Pos	Description	Annotation	Classification Data	Part no.	Qty.	Unit
107	O-ring				1	
108	Compression spring				1	
111	Retainer				1	
111a	Stop ring				1	
112	Driver for shaft seal				1	
106	O-ring		Diameter: 27.5 Material type: EPDM Thickness: 2.75		2	pcs
159c	Pan washer head screw				3	pcs
164	Cover				1	pcs
164a	Socket pan head screw				6	pcs
166a	Cooling pad				1	pcs
166c	Socket head cap screw				1	pcs
169	Plug				1	pcs
173	Stud				1	pcs
173b	Nut				1	pcs
173c	Bracket				1	pcs
173d	O-ring				1	pcs
174a	Sensor				1	pcs
180	Stator housing				1	pcs