



The Timken Company

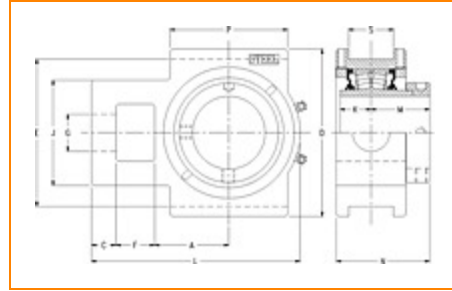
4500 Mt Pleasant St. NW

N. Canton, OH 44720

Phone: (234) 262-3000

E-Mail: CustomerCAD@timken.com • **Web site:** www.timken.com

Part Number QMTU10J115S, Eccentric Take-Up Block



[Specifications](#) | [Dimensions](#) | [Radial and Thrust Factors](#) | [Engineering Seal Speed](#) | [Engineering Bearing Attributes](#) | [Engineering Internal Radial Clearance](#)

Specifications

Engineering Group Mounted Bearing

Bearing Number 22210

Shaft Size 1 15/16 in

Shaft Size Type Imperial

Full Timken Part Number

- QMTU10J115SB
- QMTU10J115SC
- QMTU10J115SEB
- QMTU10J115SEC
- QMTU10J115SEM
- QMTU10J115SEN
- QMTU10J115SEO
- QMTU10J115SET
- QMTU10J115SM
- QMTU10J115SN
- QMTU10J115SO



QMTU10J115ST

Locking Style

Eccentric

Housing Construction

Take-Up

UPC Code

0883450102070
 0883450102087
 0883450102100
 0883450102117
 0883450102124
 0883450102131
 0883450102148
 0883450102155
 0883450169189
 0883450169561
 0883450260565
 0883450260886

Dimensions**Dimension A1**

2.13 in
 54.1 mm

Dimension C

0.75 in
 19.1 mm

Dimension D

4-3/4 in
 120.7 mm

Dimension E

4 in
 101.6 mm

Dimension F

1.06 in
 26.9 mm

Dimension G

1.06 in
 26.9 mm

Dimension J

2.88 in
 73.2 mm

Dimension L

6.04 in
 153.4 mm

Dimension K	0.98 in 24.9 mm
--------------------	--------------------

Dimension M	1.89 in 48 mm
--------------------	------------------

Dimension N	3.02 in 76.7 mm
--------------------	--------------------

Dimension P	3.5 in 88.9 mm
--------------------	-------------------

Dimension S	0.69 in 17.5 mm
--------------------	--------------------

Radial and Thrust Factors

C0 - Static Load	26600 lbf 118000 N
-------------------------	-----------------------

C - Dynamic Load (Basic)	26300 lbf 117000 N
---------------------------------	-----------------------

e - Geometry Factor	0.24
----------------------------	------

Y1 - Geometry Factor	2.84
-----------------------------	------

Y2 - Geometry Factor	4.23
-----------------------------	------

Engineering Seal Speed

Oil Lubrication - M/N Seal	2400 rpm
-----------------------------------	----------

Oil Lubrication - T Seal	3800 rpm
---------------------------------	----------

Oil Lubrication - B/C/O Seal	1800 rpm
-------------------------------------	----------

Grease Lubrication - M/N Seal	2400 rpm
--------------------------------------	----------

Grease Lubrication - T Seal	3200 rpm
------------------------------------	----------

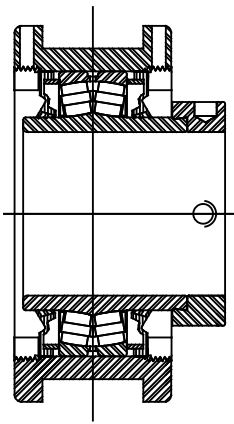
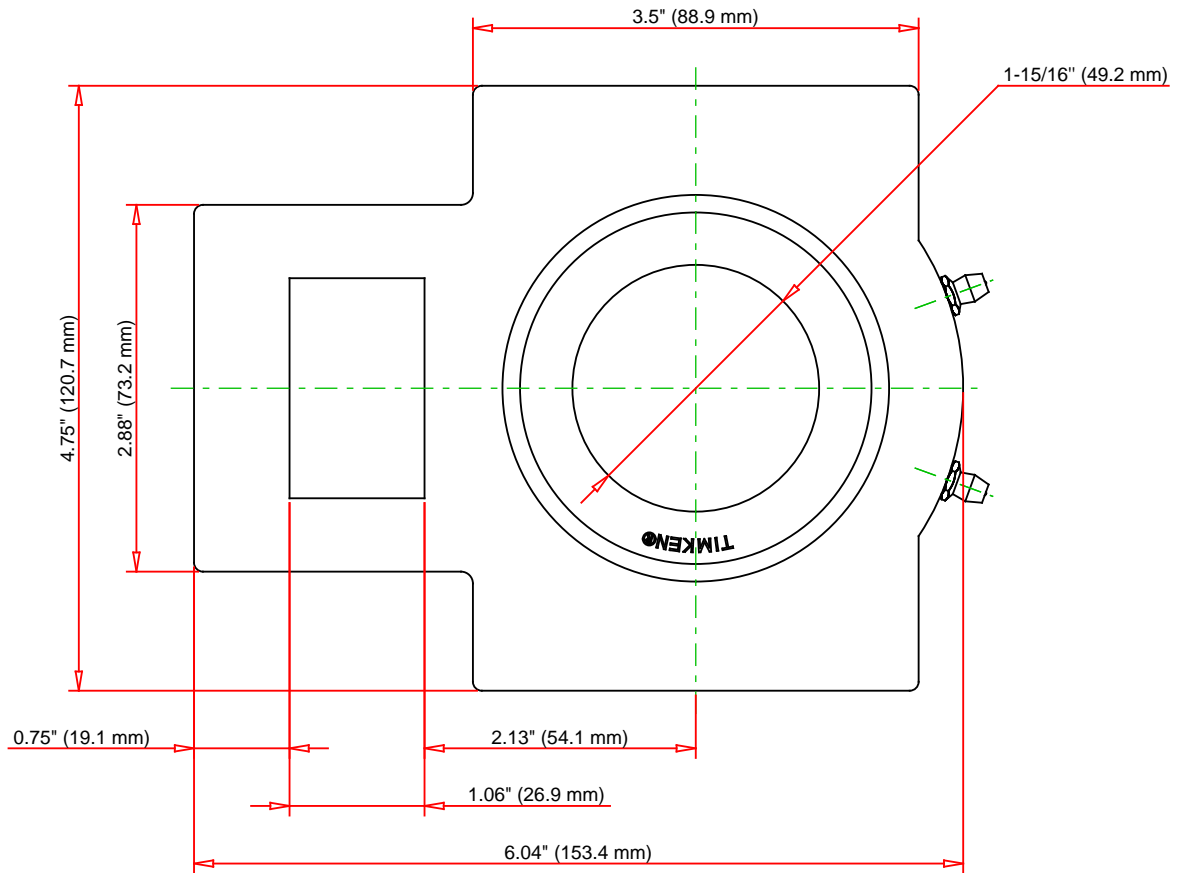
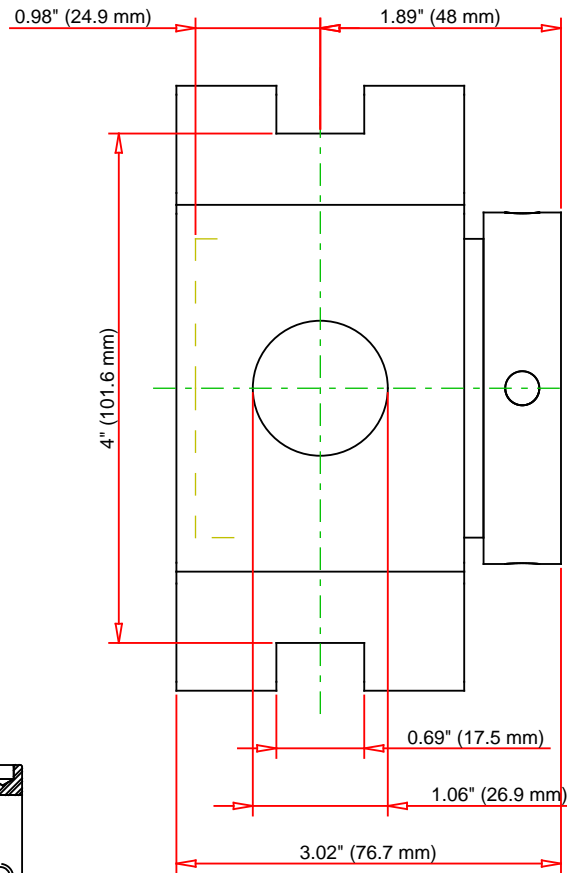
Grease Lubrication - B/C/O Seal	1800 rpm
--	----------

Engineering Bearing Attributes

Float	0.050 in 1.270 mm
Shaft Tolerance	0.0015 in 0.038 mm

Engineering Internal Radial Clearance

Eng Internal Radial Clearance - Min	0.0016
Eng Internal Radial Clearance - Max	0.0026
Pre Install Clearance Min	0.0016 in 0.040 mm
Pre Install Clearance Max	0.0026 in 0.065 mm



Note: Section View not to Scale

C - Dynamic Load	26300	lbf	117000	N
C0 - Static Load	26600	lbf	118000	N
Weight	17	lb	7.7	kg
Max. Speed T-Seals & Grease	3200	rpm		
Rad. Clearance - Max.	0.0026			

TIMKEN

THE TIMKEN COMPANY
NORTH CANTON, OHIO USA

QMTU10J115S
Eccentric Take-Up Block

Every reasonable effort has been made to ensure the accuracy of the information contained in this writing, but no liability is accepted for errors, omissions or for any other reason.

FOR DISCUSSION ONLY