



PE184T-7.5-2

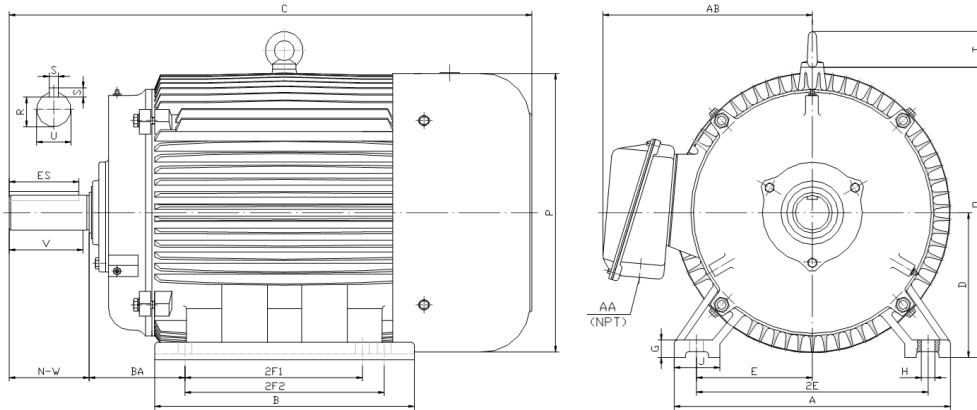
GENERAL PURPOSE ELECTRIC MOTOR

NEMA PREMIUM EFFICIENCY

TOTALLY ENCLOSED FAN COOLED

INVERTER DUTY 10:1 CT; 20:1 VT - NEMA MG1 PART 31

Factory Certified for T2B Class I, Division II, Groups A,B,C & D and Class II, Division II, Groups F & G



DIMENSIONS

HP	RPM	Frame	MOUNTING														
			A	B	C	D	G	H	J	E	2E	2F1	2F2	O	P	T	BA
7.5	3600	184T	9.5	8.3	17.1	4.5	0.6	0.41	2	3.75	7.5	4.5	5.5	9.1	8.7	1.6	2.75

Shaft Extension, Key Set						Conduit Box		Bearings		Mount
U	V	R	S	ES	N-W	AA	AB	DE	ODE	
1.125	2.5	0.986	0.25	1.78	2.75	0.75	7.5	6306-ZZ	6306-ZZ	F1

BEARING LUBRICATION: The bearings come lubricated with Mobil Polyrex EM Polyurea Grease.





PE184T-7.5-2

GENERAL PURPOSE ELECTRIC MOTOR

NEMA PREMIUM EFFICIENCY

TOTALLY ENCLOSED FAN COOLED

INVERTER DUTY 10:1 CT; 20:1 VT - NEMA MG1 PART 31

Factory Certified for T2B Class I, Division II, Groups A,B,C & D and Class II, Division II, Groups F & G

PERFORMANCE DATA

HP	RPM	Frame	Voltage	Frequency (Hz)	Full Load S.F.	Insulation Class	NEMA Design	Slip (%)	NEMA Code	Enclosure Type	IP Rating	Max. Ambient
7.5	3500	184T	208-230/460	60	1.15	F	B	2.8	H	TEFC	55	40 °C

Amps (460V)		Efficiency (%)			Power Factor			Torque (ft-lb)			DE Bearing	ODE Bearing	Connection	Weight (lbs.)
FLA	LRA	100%	75%	50%	100%	75%	50%	FLT	LRT %	BDT %				
8.8	63	89.5	89.0	88.0	0.90	0.83	0.73	11.3	190	300	6306-ZZ	6306-ZZ	9 Lead 2Y/Y	117

NAME PLATE

		AC INDUCTION MOTOR INVERTER DUTY 20:1 VT; 10:1 CT								CONNECTION DIAGRAMS		
CAT NO.		PE184T-7.5-2				FRAME		184T		PHASE 3		
HZ	60	S.F.	1.15	HZ	50	S.F.	1.0	ENCL	TEFC	IP	55	
HP	7.5	RPM	3500	HP	7.5	RPM	2880	DUTY	CONT	DES	B	
VOLTS	208-230/460		VOLTS		190/380		AMB	40 °C		INS	F	
AMPS	18.8 - 17.6 / 8.8		AMPS		22/11		DE BRG	6306-ZZ				
CODE	H	P.F.	0.90	CODE	E	P.F.	0.92	ODE BRG	6306-ZZ			
EFF	89.5	MIN	87.5	EFF	87.5	MIN	85.5	LUB:	Mobil Polyrex EM			
MOTOR WEIGHT	117 LBS		CONNECTION			9 Lead 2Y/Y		SER NO				
General purpose use on industrial machinery installed in damp, dusty or dirty environments. Hernando, Mississippi										CC082A		

APPLICATIONS:

General purpose use on pumps, fans, blowers, compressors, conveyors, material handling and other industrial machinery installed in damp, dusty or dirty environments.