



The Timken Company

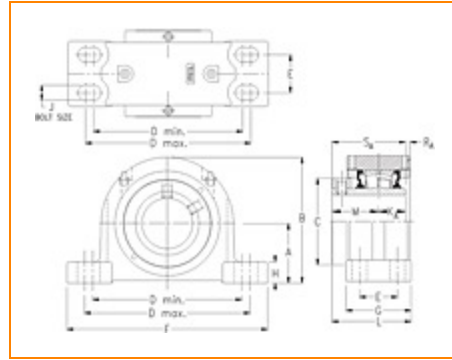
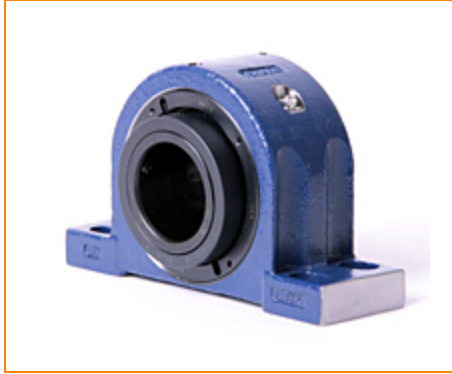
4500 Mt Pleasant St. NW

N. Canton, OH 44720

Phone: (234) 262-3000

E-Mail: CustomerCAD@timken.com • **Web site:** www.timken.com

Part Number QAPR15A215S, Single Concentric Four-Bolt Pillow Block



[Specifications](#) | [Dimensions](#) | [Radial and Thrust Factors](#) | [Engineering Seal Speed](#) | [Engineering Bearing Attributes](#) | [Engineering Internal Radial Clearance](#)

Specifications

Engineering Group Mounted Bearing

Bearing Number 22215

Shaft Size 2 15/16 in

Shaft Size Type Imperial

Full Timken Part Number

- QAPR15A215SB
- QAPR15A215SC
- QAPR15A215SEB
- QAPR15A215SEC
- QAPR15A215SEM
- QAPR15A215SEN
- QAPR15A215SEO
- QAPR15A215SET
- QAPR15A215SETNG
- QAPR15A215SM
- QAPR15A215SN
- QAPR15A215SO
- QAPR15A215ST



QAPR15A215STNG
QAPR15A215STSLC

Locking Style Single Concentric

Housing Construction Four-Bolt Pillow Block

UPC Code

0883450048903
0883450048910
0883450048934
0883450048941
0883450048958
0883450048965
0883450048972
0883450048989
0883450189774
0883450189880
0883450267137
0883450267243
0883450434355
0883450500074
0883450955720

Dimensions

Dimension A 3.13 in
79.5 mm

Dimension B 6.47 in
164.3 mm

Dimension C 4.29 in
109 mm

Dimension D Min 8 in
203.2 mm

Dimension D Max 9.6 in
243.8 mm

Dimension E 2.13 in
54.1 mm

Dimension F	10.83 in 275.1 mm
Dimension G	3.38 in 85.9 mm
Dimension H	1.16 in 29.5 mm
Dimension J (Bolt Size)	0.625 in 16 mm
Dimension KA	1.25 in 31.8 mm
Dimension L	4.02 in 102.1 mm
Dimension M	2.37 in 60.2 mm
Dimension RA	0.24 in 6.1 mm
Dimension SA	3.62 in 91.9 mm

Radial and Thrust Factors

C0 - Static Load	54100 lbf 240000 N
C - Dynamic Load (Basic)	49900 lbf 222000 N
e - Geometry Factor	0.22
Y1 - Geometry Factor	3.14
Y2 - Geometry Factor	4.67

Engineering Seal Speed

Oil Lubrication - M/N Seal	1600 rpm
-----------------------------------	----------

Oil Lubrication - T Seal	2900 rpm
---------------------------------	----------

Oil Lubrication - B/C/O Seal	1300 rpm
-------------------------------------	----------

Grease Lubrication - M/N Seal	1600 rpm
--------------------------------------	----------

Grease Lubrication - T Seal	2400 rpm
------------------------------------	----------

Grease Lubrication - B/C/O Seal	1300 rpm
--	----------

Engineering Bearing Attributes

Float	0.083 in 2.108 mm
--------------	----------------------

Shaft Tolerance	0.0020 in 0.051 mm
------------------------	-----------------------

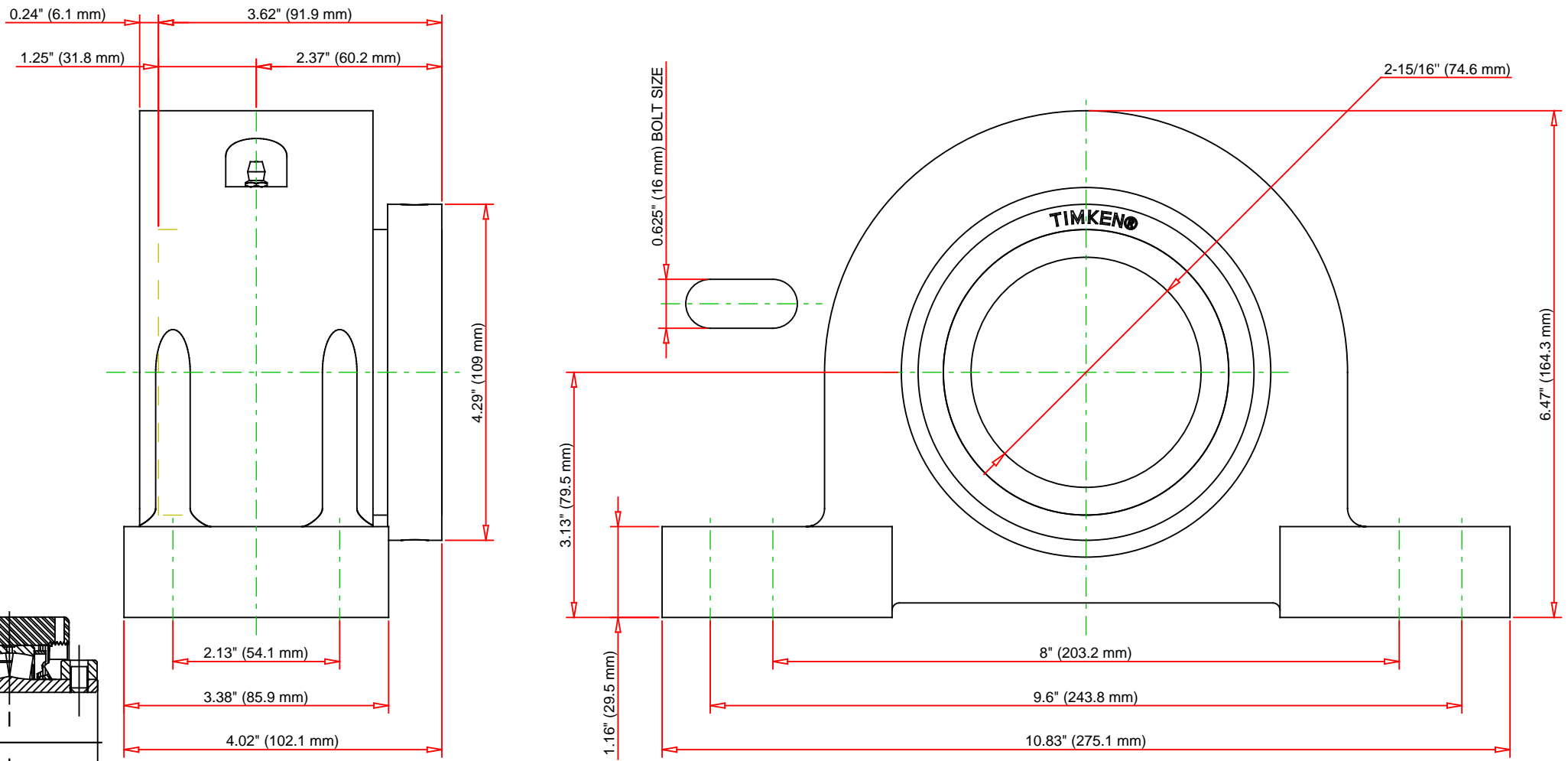
Engineering Internal Radial Clearance

Eng Internal Radial Clearance - Min	0.0020
--	--------

Eng Internal Radial Clearance - Max	0.0031
--	--------

Pre Install Clearance Min	0.0020 in 0.050 mm
----------------------------------	-----------------------

Pre Install Clearance Max	0.0031 in 0.080 mm
----------------------------------	-----------------------



Note: Section View not to Scale

C - Dynamic Load	49900	lbf	222000	N
C0 - Static Load	54100	lbf	240000	N
Weight	27	lb	12.2	kg
Max. Speed T-Seals & Grease	2400	rpm		
Rad. Clearance - Max.	0.0031			

TIMKEN

THE TIMKEN COMPANY
NORTH CANTON, OHIO USA

QAPR15A215S
Single Concentric Four-Bolt Pillow
Block

Every reasonable effort has been made to ensure the accuracy of the information contained in this writing, but no liability is accepted for errors, omissions or for any other reason.

FOR DISCUSSION ONLY