



**The Timken Company**

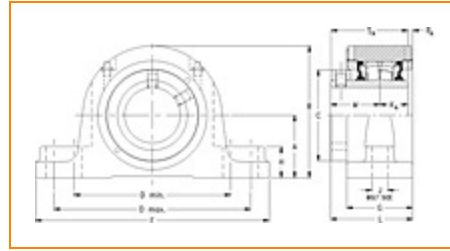
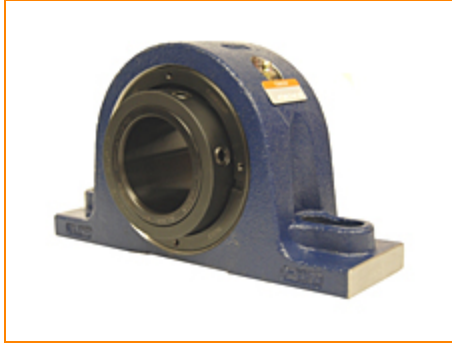
4500 Mt Pleasant St. NW

N. Canton, OH 44720

**Phone:** (234) 262-3000

**E-Mail:** [CustomerCAD@timken.com](mailto:CustomerCAD@timken.com) • **Web site:** [www.timken.com](http://www.timken.com)

## Part Number QAPL08A107S, Single Concentric Two-Bolt Pillow Block



[Specifications](#) | [Dimensions](#) | [Radial and Thrust Factors](#) | [Engineering Seal Speed](#) | [Engineering Bearing Attributes](#) | [Engineering Internal Radial Clearance](#)

### Specifications

**Engineering Group** Mounted Bearing

**Bearing Number** 22208

**Shaft Size** 1 7/16 in

**Shaft Size Type** Imperial

**Full Timken Part Number**

- QAPL08A107SB
- QAPL08A107SC
- QAPL08A107SEB
- QAPL08A107SEC
- QAPL08A107SEM
- QAPL08A107SEN
- QAPL08A107SEO
- QAPL08A107SET
- QAPL08A107SM
- QAPL08A107SN
- QAPL08A107SO



QAPL08A107ST

**Locking Style**

Single Concentric

**Housing Construction**

Two-Bolt Pillow Block

**UPC Code**

883450403573  
 883450403580  
 883450403597  
 883450403603  
 883450403610  
 883450403627  
 883450403634  
 883450403641  
 883450403658  
 883450403665  
 883450403672  
 883450403689

**Dimensions****Dimension A**

1.88 in  
 47.8 mm

**Dimension B**

3.73 in  
 94.7 mm

**Dimension C**

2.38 in  
 60.5 mm

**Dimension D Min**

4.69 in  
 119.1 mm

**Dimension D Max**

6 in  
 152.4 mm

**Dimension F**

6.88 in  
 174.8 mm

**Dimension G**

2.25 in  
 57.2 mm

**Dimension H**

1 in  
 25.4 mm

<b>Dimension J (Bolt Size)</b>	0.5 in 12 mm
<b>Dimension KA</b>	1 in 25.4 mm
<b>Dimension L</b>	2.88 in 73.2 mm
<b>Dimension M</b>	1.75 in 44.5 mm
<b>Dimension RA</b>	0.13 in 3.3 mm
<b>Dimension SA</b>	2.75 in 69.9 mm

### Radial and Thrust Factors

<b>C0 - Static Load</b>	22400 lbf 99700 N
<b>C - Dynamic Load (Basic)</b>	23400 lbf 104000 N
<b>e - Geometry Factor</b>	0.27
<b>Y1 - Geometry Factor</b>	2.47
<b>Y2 - Geometry Factor</b>	3.67

### Engineering Seal Speed

<b>Oil Lubrication - M/N Seal</b>	2700 rpm
<b>Oil Lubrication - T Seal</b>	4500 rpm
<b>Oil Lubrication - B/C/O Seal</b>	1950 rpm
<b>Grease Lubrication - M/N Seal</b>	2700 rpm

<b>Grease Lubrication - T Seal</b>	4000 rpm
------------------------------------	----------

<b>Grease Lubrication - B/C/O Seal</b>	1950 rpm
----------------------------------------	----------

### Engineering Bearing Attributes

<b>Float</b>	0.050 in 1.270 mm
--------------	----------------------

<b>Shaft Tolerance</b>	0.0010 in 0.025 mm
------------------------	-----------------------

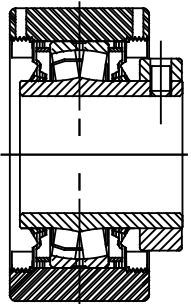
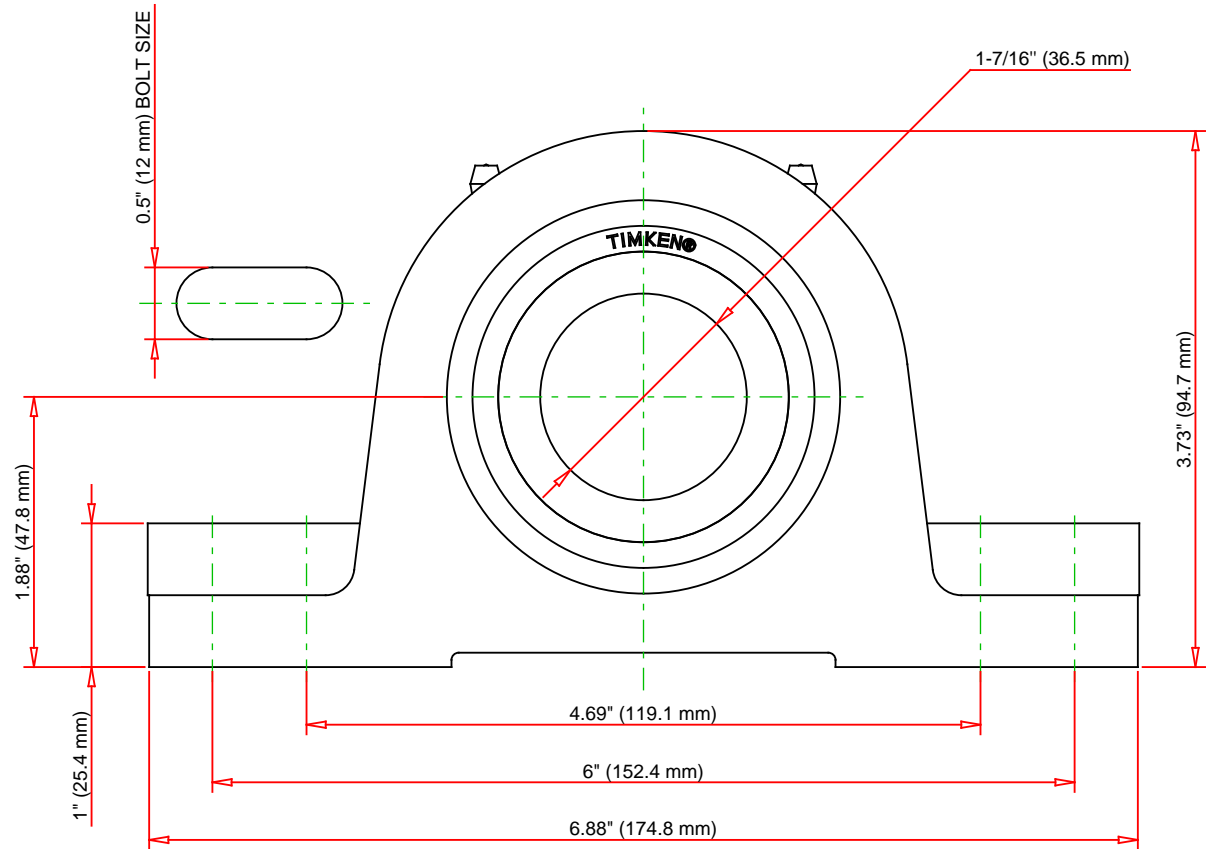
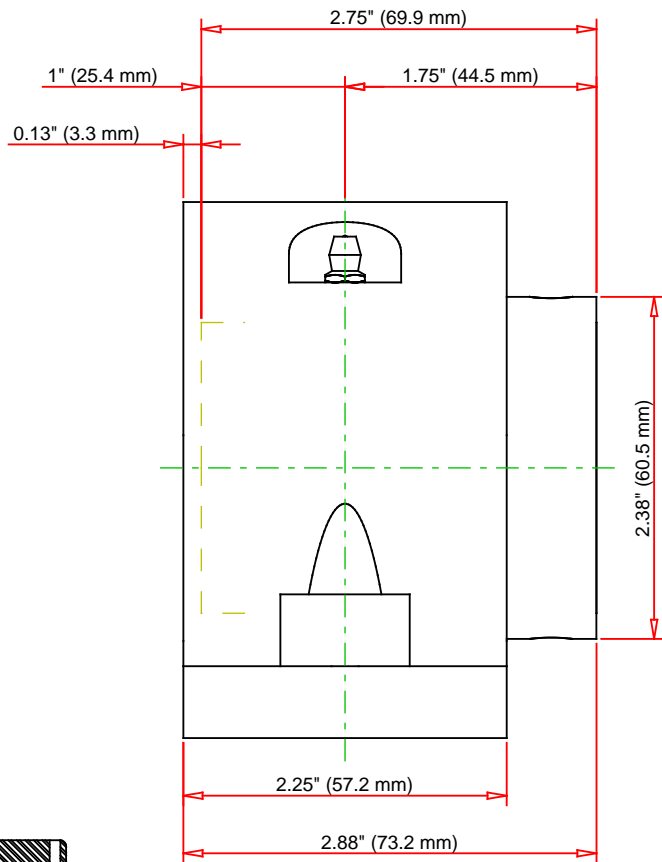
### Engineering Internal Radial Clearance

<b>Eng Internal Radial Clearance - Min</b>	0.0012
--------------------------------------------	--------

<b>Eng Internal Radial Clearance - Max</b>	0.0018
--------------------------------------------	--------

<b>Pre Install Clearance Min</b>	0.0012 in 0.030 mm
----------------------------------	-----------------------

<b>Pre Install Clearance Max</b>	0.0018 in 0.045 mm
----------------------------------	-----------------------



Note: Section View not to Scale

C - Dynamic Load	23400	lbf	104000	N
C0 - Static Load	22400	lbf	99700	N
Weight	9	lb	4.1	kg
Max. Speed T-Seals & Grease	4000	rpm		
Rad. Clearance - Max.	0.0018			

**TIMKEN**

THE TIMKEN COMPANY  
NORTH CANTON, OHIO USA

**QAPL08A107S**  
Single Concentric Two-Bolt Pillow  
Block

Every reasonable effort has been made to ensure the accuracy of the information contained in this writing, but no liability is accepted for errors, omissions or for any other reason.

**FOR DISCUSSION ONLY**