



**The Timken Company**

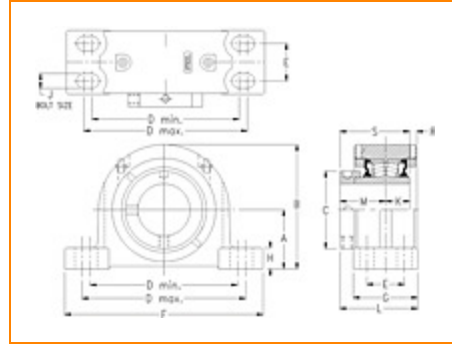
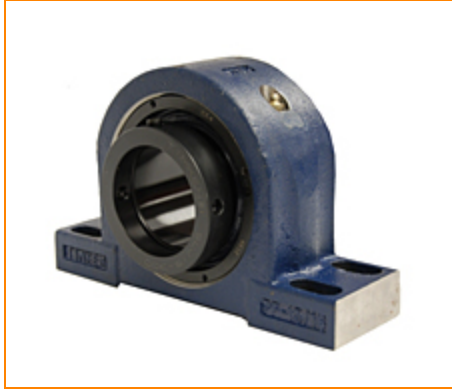
4500 Mt Pleasant St. NW

N. Canton, OH 44720

**Phone:** (234) 262-3000

**E-Mail:** [CustomerCAD@timken.com](mailto:CustomerCAD@timken.com) • **Web site:** [www.timken.com](http://www.timken.com)

## Part Number QMPF15J215S, Eccentric Four-Bolt Pillow Block



[Specifications](#) | [Dimensions](#) | [Radial and Thrust Factors](#) | [Engineering Seal Speed](#) | [Engineering Bearing Attributes](#) | [Engineering Internal Radial Clearance](#)

### Specifications

**Engineering Group** Mounted Bearing

**Bearing Number** 22215

**Shaft Size** 2 15/16 in

**Shaft Size Type** Imperial

**Full Timken Part Number**

- QMPF15J215SB
- QMPF15J215SC
- QMPF15J215SEB
- QMPF15J215SEC
- QMPF15J215SEM
- QMPF15J215SEN
- QMPF15J215SEO
- QMPF15J215SET
- QMPF15J215SM
- QMPF15J215SMNP



QMPF15J215SN  
QMPF15J215SO  
QMPF15J215ST

**Locking Style**

Eccentric

**Housing Construction**

Four-Bolt Pillow Block

**UPC Code**

0883450083928  
0883450083935  
0883450083959  
0883450083966  
0883450083973  
0883450083980  
0883450083997  
0883450084000  
0883450155724  
0883450156455  
0883450250665  
0883450251082  
0883450454537

**Dimensions**
**Dimension A**

3.25 in  
82.6 mm

**Dimension B**

6.6 in  
167.6 mm

**Dimension C**

4.01 in  
101.9 mm

**Dimension D Min**

7.6 in  
193 mm

**Dimension D Max**

9.1 in  
231.1 mm

**Dimension E**

1.88 in  
47.8 mm

**Dimension F**

10.44 in  
265.2 mm

<b>Dimension G</b>	3.13 in 79.5 mm
<b>Dimension H</b>	1.29 in 32.8 mm
<b>Dimension J (Bolt Size)</b>	0.625 in 16 mm
<b>Dimension K</b>	1-1/4 in 31.8 mm
<b>Dimension L</b>	3.93 in 99.8 mm
<b>Dimension M</b>	2.37 in 60.2 mm
<b>Dimension R</b>	0.24 in 6.1 mm
<b>Dimension S</b>	3.62 in 91.9 mm

### Radial and Thrust Factors

<b>C0 - Static Load</b>	54100 lbf 240000 N
<b>C - Dynamic Load (Basic)</b>	49900 lbf 222000 N
<b>e - Geometry Factor</b>	0.22
<b>Y1 - Geometry Factor</b>	3.14
<b>Y2 - Geometry Factor</b>	4.67

### Engineering Seal Speed

<b>Oil Lubrication - M/N Seal</b>	1600 rpm
-----------------------------------	----------

<b>Oil Lubrication - T Seal</b>	2900 rpm
---------------------------------	----------

<b>Oil Lubrication - B/C/O Seal</b>	1300 rpm
-------------------------------------	----------

<b>Grease Lubrication - M/N Seal</b>	1600 rpm
--------------------------------------	----------

<b>Grease Lubrication - T Seal</b>	2400 rpm
------------------------------------	----------

<b>Grease Lubrication - B/C/O Seal</b>	1300 rpm
--	----------

## Engineering Bearing Attributes

<b>Float</b>	0.083 in 2.108 mm
--------------	----------------------

<b>Shaft Tolerance</b>	0.0020 in 0.051 mm
------------------------	-----------------------

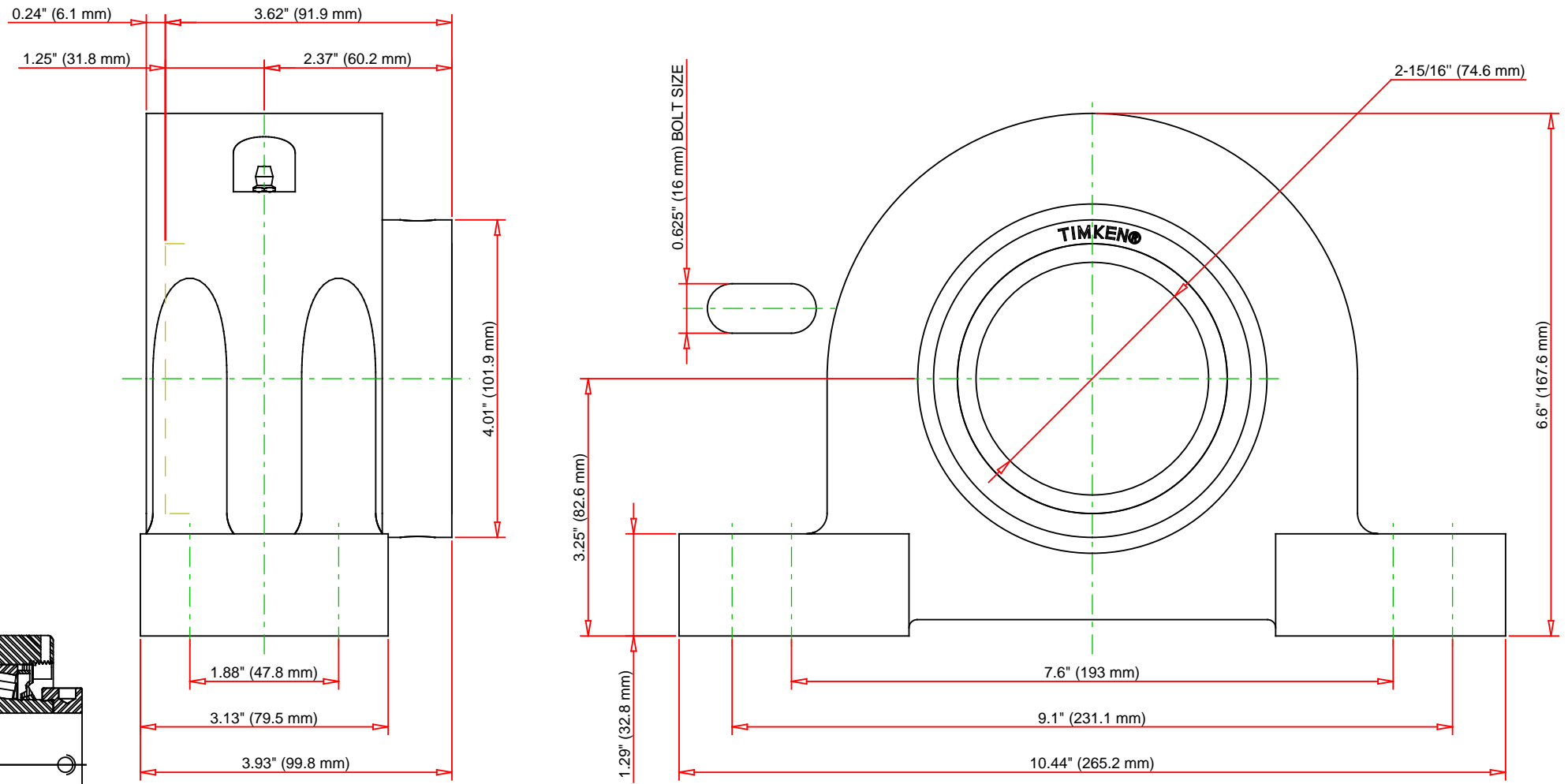
## Engineering Internal Radial Clearance

<b>Eng Internal Radial Clearance - Min</b>	0.0020
--	--------

<b>Eng Internal Radial Clearance - Max</b>	0.0031
--	--------

<b>Pre Install Clearance Min</b>	0.0020 in 0.050 mm
----------------------------------	-----------------------

<b>Pre Install Clearance Max</b>	0.0031 in 0.080 mm
----------------------------------	-----------------------



Note: Section View not to Scale

C - Dynamic Load	49900	lbf	222000	N
C0 - Static Load	54100	lbf	240000	N
Weight	27	lb	12.2	kg
Max. Speed T-Seals & Grease	2400	rpm		
Rad. Clearance - Max.	0.0031			

**TIMKEN**  
 THE TIMKEN COMPANY  
 NORTH CANTON, OHIO USA

**QMPF15J215S**  
 Eccentric Four-Bolt Pillow Block

Every reasonable effort has been made to ensure the accuracy of the information contained in this writing, but no liability is accepted for errors, omissions or for any other reason.

**FOR DISCUSSION ONLY**