



The Timken Company

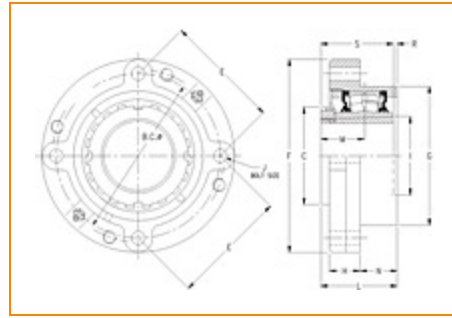
4500 Mt Pleasant St. NW

N. Canton, OH 44720

Phone: (234) 262-3000

E-Mail: CustomerCAD@timken.com • **Web site:** www.timken.com

Part Number DVC13K203S, Tapered Adapter Piloted Flange Cartridge



[Specifications](#) | [Dimensions](#) | [Radial and Thrust Factors](#) | [Engineering Seal Speed](#) | [Engineering Bearing Attributes](#) | [Engineering Internal Radial Clearance](#)

Specifications

Engineering Group Mounted Bearing

Bearing Number 22213

Shaft Size 2 3/16 in

Shaft Size Type Imperial

Full Timken Part Number

- DVC13K203SB
- DVC13K203SC
- DVC13K203SEB
- DVC13K203SEC
- DVC13K203SEM
- DVC13K203SEN
- DVC13K203SEO
- DVC13K203SET
- DVC13K203SM
- DVC13K203SN
- DVC13K203SO
- DVC13K203ST



Locking Style	Tapered Adapter
Housing Construction	Piloted Flange Cartridge

UPC Code	0883450003926
	0883450003933
	0883450003957
	0883450003964
	0883450003971
	0883450003988
	0883450003995
	0883450004008
	0883450196864
	0883450197069
0883450274371	
0883450274579	

Dimensions

Dimension BC
6 in
152.4 mm

Dimension C
3.35 in
85.1 mm

Dimension E
4.24 in
107.7 mm

Dimension F
7.13 in
181.1 mm

Dimension G
5 in
127 mm

Dimension H
1.47 in
37.3 mm

Dimension I
3.34 in
84.8 mm

Dimension J (Bolt Size)
0.5 in
12 mm

Dimension L	2.58 in 65.5 mm
--------------------	--------------------

Dimension M	1.56 in 39.6 mm
--------------------	--------------------

Dimension N	1 in 25.4 mm
--------------------	-----------------

Dimension R	0.11 in 2.8 mm
--------------------	-------------------

Dimension S	2.56 in 65 mm
--------------------	------------------

Radial and Thrust Factors

C0 - Static Load	48600 lbf 216000 N
-------------------------	-----------------------

C - Dynamic Load (Basic)	46400 lbf 206000 N
---------------------------------	-----------------------

e - Geometry Factor	0.24
----------------------------	------

Y1 - Geometry Factor	2.79
-----------------------------	------

Y2 - Geometry Factor	4.15
-----------------------------	------

Engineering Seal Speed

Oil Lubrication - M/N Seal	1800 rpm
-----------------------------------	----------

Oil Lubrication - T Seal	3200 rpm
---------------------------------	----------

Oil Lubrication - B/C/O Seal	1500 rpm
-------------------------------------	----------

Grease Lubrication - M/N Seal	1800 rpm
--------------------------------------	----------

Grease Lubrication - T Seal	2800 rpm
------------------------------------	----------

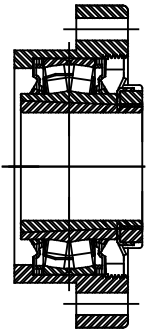
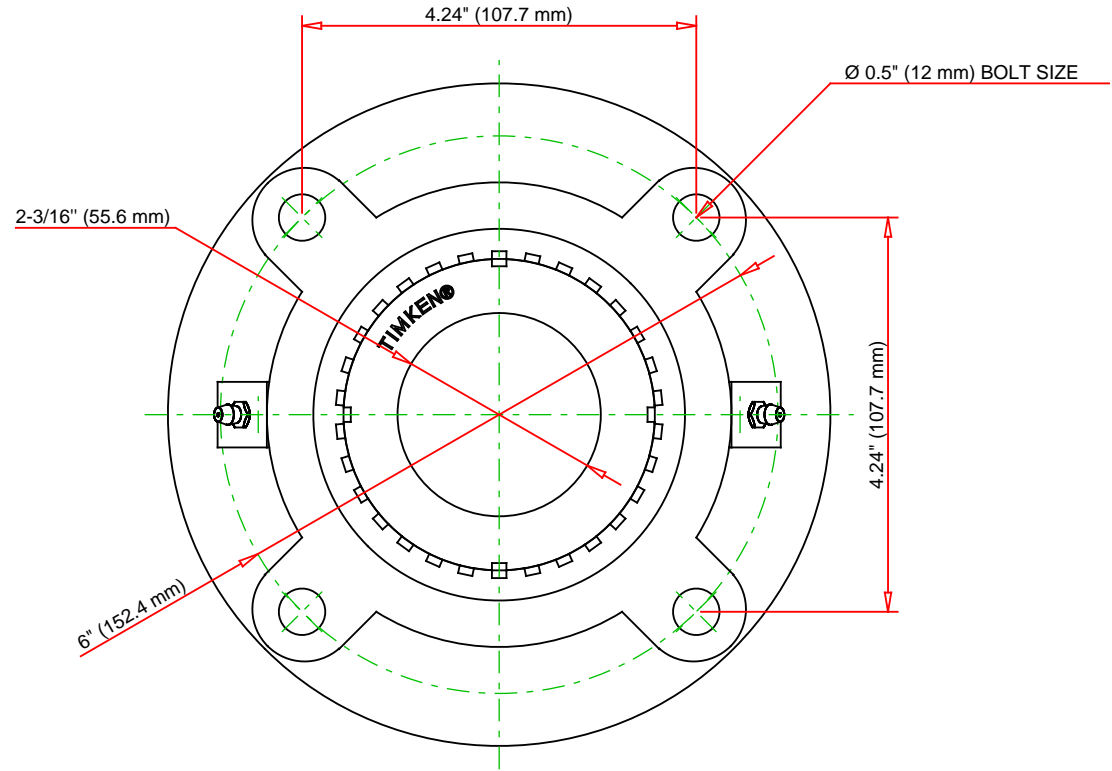
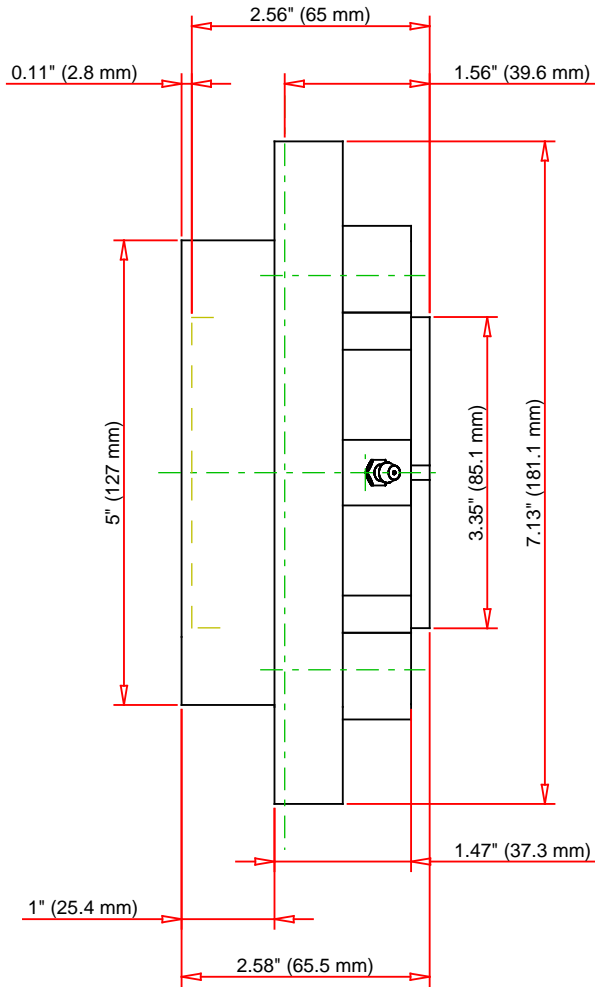
Grease Lubrication - B/C/O Seal	1500 rpm
--	----------

Engineering Bearing Attributes

Float	0.083 in 2.108 mm
Shaft Tolerance	0.0030 in 0.076 mm

Engineering Internal Radial Clearance

Pre Install Clearance Min	0.0030 in 0.075 mm
Pre Install Clearance Max	0.0037 in 0.094 mm



Note: Section View not to Scale

C - Dynamic Load	46400	lbf	206000	N
C0 - Static Load	48600	lbf	216000	N
Weight	16	lb	7.3	kg
Max. Speed T-Seals & Grease	2800	rpm		
Rad. Clearance - Max.				

TIMKEN

THE TIMKEN COMPANY
NORTH CANTON, OHIO USA

DVC13K203S

Tapered Adapter Piloted Flange
Cartridge

Every reasonable effort has been made to ensure the accuracy of the information contained in this writing, but no liability is accepted for errors, omissions or for any other reason.

FOR DISCUSSION ONLY